

320551 ✓ ACTIVE



PIDG

TE Internal #: 320551

PIDG, Rings & Spades, Ring Tongue, 22 – 16AWG Wire Size, .326 – 1.31mm² Wire Size, 509 – 3260CMA Wire Size, #8 / M4, Stud

Diameter 4.34 mm [.171 in]

[View on TE.com >](#)

Terminals & Splices > Rings & Spades > PIDG RING TONGUE TERMINALS



Terminal & Splice Type: **Ring Tongue**

Wire Size: **509 – 3260 CMA**

Ring & Spade Stud Size: **#8, M4**

[All PIDG RING TONGUE TERMINALS \(422\)](#)

Features

Product Type Features

Shape Description	RING-041
Ring & Spade Stud Size	#8, M4
Ring & Spade Barrel Type	Closed Barrel
Sealable	No
Insulated	Yes
Ring & Spade Wire/Cable Type	Regular Wire
Support Style	Non - Insulation Support

Configuration Features

Number of Holes	1
Terminal Angle	Straight

Electrical Characteristics

Voltage (Max)	300 V
---------------	-------

Body Features

Weight per Piece	.904 g
Ring & Spade Plating Material	Copper, Tin

Contact Features

Military Part Class	Class I
Terminal & Splice Type	Ring Tongue



Ring & Spade Terminal Orientation	Straight
-----------------------------------	----------

Mechanical Attachment

Wire Insulation Support	With
-------------------------	------

Dimensions

Wire Size	509 – 3260 CMA
Stud Diameter	4.34 mm [.171 in]
Tongue Thickness	.79 mm [.031 in]
Ring & Spade Overall Length	21.44 mm [.844 in]
Ring & Spade Wire Insulation Diameter (Max)	3.18 mm [.125 in]
Ring & Spade Wire Insulation Diameter	2.03 – 3.18 mm [.08 – .125 in]

Usage Conditions

Operating Temperature Range	105 °C [221 °F]
-----------------------------	-----------------

Operation/Application

Heavy Duty	No
------------	----

Industry Standards

Government Qualified	Yes
----------------------	-----

Packaging Features

Packaging Quantity	1000
Ring & Spade Packaging Method	Loose Piece

Product Compliance

[For compliance documentation, visit the product page on TE.com>](#)

EU RoHS Directive 2011/65/EU	Compliant
EU ELV Directive 2000/53/EC	Compliant
China RoHS 2 Directive MIIT Order No 32, 2016	No Restricted Materials Above Threshold
EU REACH Regulation (EC) No. 1907/2006	Current ECHA Candidate List: JUN 2020 (209) Candidate List Declared Against: JUN 2020 (209) Does not contain REACH SVHC
Halogen Content	Low Halogen - Br, Cl, F, I < 900 ppm per homogenous material. Also BFR/CFR/PVC Free
Solder Process Capability	Not applicable for solder process capability

Product Compliance Disclaimer

This information is provided based on reasonable inquiry of our suppliers and represents our current actual knowledge based on the information they provided. This information is subject to change. The part numbers that TE has identified as EU RoHS compliant have a maximum concentration of 0.1% by weight in homogenous materials for lead, hexavalent chromium, mercury, PBB, PBDE, DBP, BBP, DEHP, DIBP, and 0.01% for cadmium, or qualify for an exemption to these limits as defined in the Annexes of Directive 2011/65/EU (RoHS2). Finished electrical and electronic equipment products will be CE marked as required by Directive 2011/65/EU. Components may not be CE marked. Additionally, the part numbers that TE has identified as EU ELV compliant have a maximum concentration of 0.1% by weight in homogenous materials for lead, hexavalent chromium, and mercury, and 0.01% for cadmium, or qualify for an exemption to these limits as defined in the Annexes of Directive 2000/53/EC (ELV). Regarding the REACH Regulation, the information TE provides on SVHC in articles for this part number is based on the latest European Chemicals Agency (ECHA) 'Guidance on requirements for substances in articles' posted at this URL: <https://echa.europa.eu/guidance-documents/guidance-on-reach>

Compatible Parts



REPRESENTATION ONLY

TE Part # 47386-4
DAHT PIDG 22-16 ASSY



TE Part # 58423-1
DIE, RBY IS9252



REPRESENTATION ONLY

TE Part # 47386
DAHT PIDG 22-16 ASSY ASSY



TE Part # 59250
T-HD HT, PIDG 22-14



TE Part # 59824-1
TETRA-CRIMP HT ASSY



TE Part # 58433-3
PRO CR ASSY, RBY IS9252



TE Part # 539691-2
ERGO DIE R.B.Y



TE Part # 2063030-1
SDE DIESET, RBY, UL



REPRESENTATION ONLY

TE Part # 525690
DAHT PIDG 20-18 ASSY



TE Part # 59300
T-HD HT, PIDG 24-16



TE Part # 47806-2
DIE PIDG 69365 46110 22-16



TE Part # 169400
CERTI-LOK



TE Part # 169404
CERTI-LOK DIE

Also in the Series | PIDG



Compression Connectors(17)



Crimp Terminal Housings(1)



Crimp Wire Pins, Tabs & Ferrules(41)



Knife Disconnects(11)



PCB Terminals(9)



Portable Crimp Tools(2)



Quick Disconnects(53)



Rings & Spades(862)



Special Purpose Terminals(1)



Splices(48)

Customers Also Bought



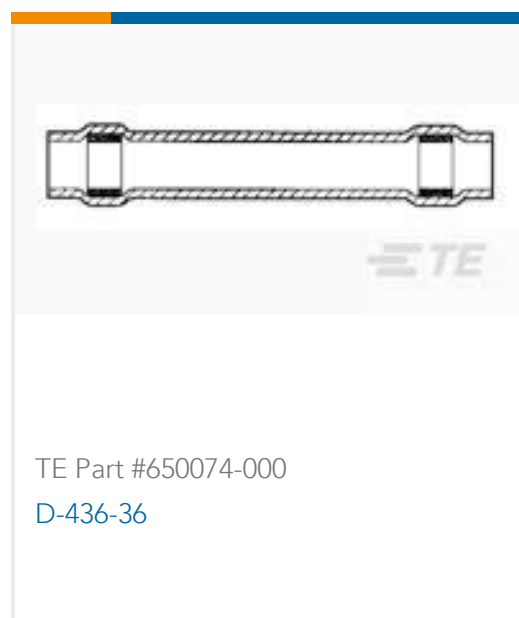
TE Part #320568
PIDG RING TONGUE TERMINALS



TE Part #320559
PIDG BUTT SPLICES



TE Part #640903-1
PIDG FASTON RECPT QUICK DISCONNECTS



TE Part #650074-000
D-436-36



TE Part #650075-000
D-436-37



TE Part #38941-22L
CONTACTS



TE Part #2562-201-2031L
CONT SOC ASSY



TE Part #775210-000
S01-03-R

Documents

Product Drawings

[PIDG R 22-16 COMM 22-18 MIL 8](#)

English

CAD Files

[3D PDF](#)

3D

Customer View Model

[ENG_CVM_CVM_320551_AG.2d_dxf.zip](#)

English

Customer View Model

[ENG_CVM_CVM_320551_AG.3d_igs.zip](#)

English

Customer View Model

[ENG_CVM_CVM_320551_AG.3d_stp.zip](#)

English

By downloading the CAD file I accept and agree to the [Terms and Conditions](#) of use.

Datasheets & Catalog Pages

[PIDG TERMINALS & SPLICES Quick Reference Guide](#)

English

Product Specifications

[Application Specification](#)

English

Product Environmental Compliance

[MD_320551_10312017848_dmtec](#)

English

[MD_320551_10312017848_dmtec](#)

English

Agency Approvals

[UL Report](#)

English

[UL Report](#)

320551

PIDG, Rings & Spades, Ring Tongue, 22 – 16AWG Wire Size, .326 – 1.31mm² Wire Size, 509 – 3260CMA Wire Size, #8 / M4, Stud Diameter 4.34 mm [.171 in]



English