

T4051410004-006 ✓ ACTIVE



TE Internal #: T4051410004-006

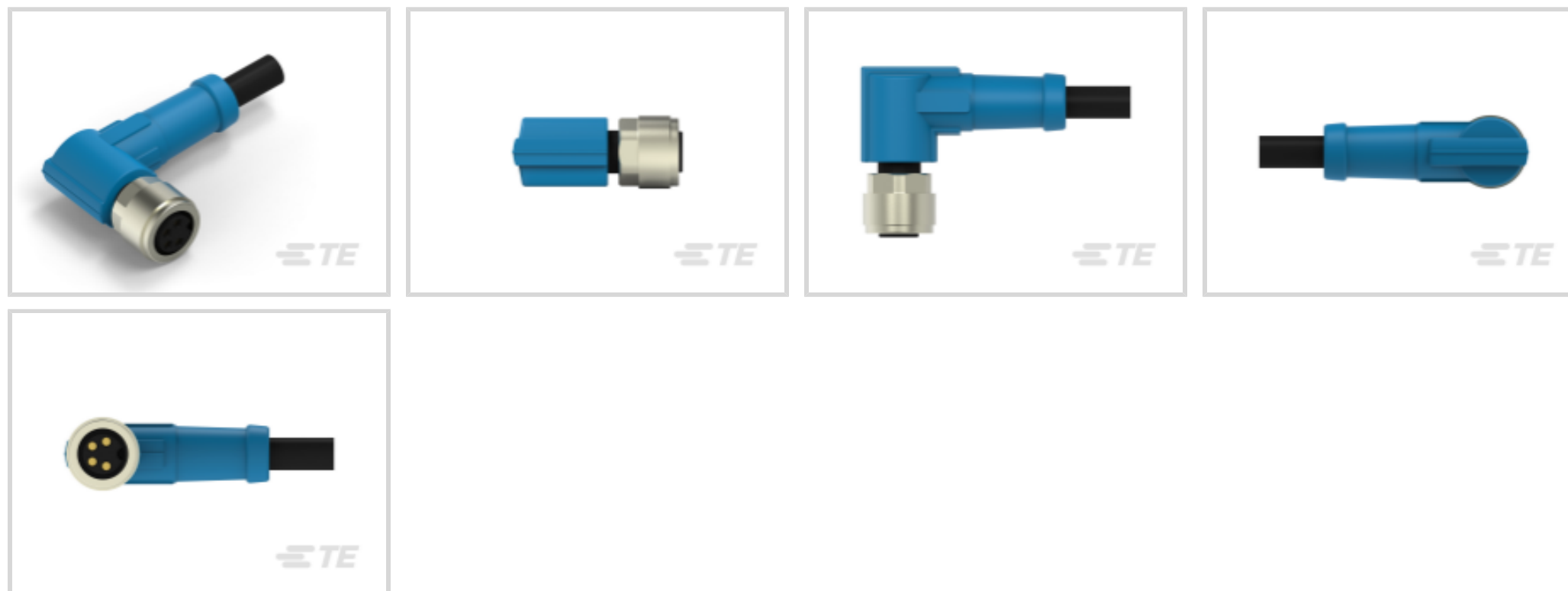
M8/M12 Cable Assemblies, Sensor/Actuator, 4 Positions, A M8

/M12 Cable Assembly Keying, Receptacle, M8 Pigtail, Cable

Assembly Length 7000 mm

[View on TE.com >](#)

Cable Assemblies > Copper Cable Assemblies > M8/M12 Cable Assemblies > M8 FEMALE R/A SINGLE ENDED CABLE ASSY



M8/M12 Application Type: **Sensor/Actuator**

Number of M8/M12 Cable Assembly Positions: **4**

M8/M12 Cable Assembly Keying: **A**

M8/M12 Cable Assembly Connector Type: **Receptacle**

M8/M12 Cable Assembly Type: **M8 Pigtail**

[All M8 FEMALE R/A SINGLE ENDED CABLE ASSY \(56\)](#)

Features

Product Type Features

LED	Without
Cable Type	PVC
Product Type	Cable Assembly
Assembly Type	Pigtail
M8/M12 Cable Assembly Connector Type	Receptacle
M8/M12 Cable Assembly Type	M8 Pigtail
M8/M12 Cable Assembly Shielded	No

Configuration Features

Number of M8/M12 Cable Assembly Positions	4
M8/M12 Cable Assembly Keying	A
M8/M12 Cable Assembly Configuration	Single Ended

Electrical Characteristics

Operating Voltage	30 VAC
-------------------	--------



Body Features

Wire Color	Brown, White, Blue, Black
Cable Exit Angle	Right Angle
Environmental Protection	With
Insulation Material	PUR
Conductor Material	Copper Alloy
Cable Jacket Color	Black

Contact Features

Contact Current Rating	3 A
------------------------	-----

Mechanical Attachment

Screw & Hole Thread Size	M8
--------------------------	----

Housing Features

M8/M12 Cable Assembly Housing Material	Nylon
--	-------

Dimensions

Wire Size	.25 mm ²
Cable Assembly Length	7000 mm

Operation/Application

M8/M12 Application Type	Sensor/Actuator
-------------------------	-----------------

Product Compliance

[For compliance documentation, visit the product page on TE.com>](#)

EU RoHS Directive 2011/65/EU	Compliant with Exemptions
EU ELV Directive 2000/53/EC	Compliant with Exemptions
China RoHS 2 Directive MIIT Order No 32, 2016	Restricted Materials Above Threshold
EU REACH Regulation (EC) No. 1907/2006	Current ECHA Candidate List: JUN 2020 (209) Candidate List Declared Against: JAN 2020 (205) SVHC > Threshold: Pb (1.9% in Pb-Alloy in Copper) Article Safe Usage Statements: Do not eat, drink or smoke when using this product. Wash thoroughly after handling. Recycle if possible and dispose of the article by following all applicable governmental regulations relevant to your geographic location.
Halogen Content	Not Yet Reviewed for halogen content
Solder Process Capability	Not applicable for solder process capability

Product Compliance Disclaimer

This information is provided based on reasonable inquiry of our suppliers and represents our current actual knowledge based on the information they provided. This information is subject to change. The part numbers that TE has identified as EU RoHS compliant have a maximum concentration of 0.1% by weight in homogenous materials for lead, hexavalent chromium, mercury, PBB, PBDE, DBP, BBP, DEHP, DIBP, and 0.01% for cadmium, or qualify for an exemption to these limits as defined in the Annexes of Directive 2011/65/EU (RoHS2). Finished electrical and electronic equipment products will be CE marked as required by Directive 2011/65/EU. Components may not be CE marked. Additionally, the part numbers that TE has identified as EU ELV compliant have a maximum concentration of 0.1% by weight in homogenous materials for lead, hexavalent chromium, and mercury, and 0.01% for cadmium, or qualify for an exemption to these limits as defined in the Annexes of Directive 2000/53/EC (ELV). Regarding the REACH Regulation, the information TE provides on SVHC in articles for this part number is based on the latest European Chemicals Agency (ECHA) 'Guidance on requirements for substances in articles' posted at this URL: <https://echa.europa.eu/guidance-documents/guidance-on-reach>

Compatible Parts



TE Part # CAT-SE594-M1B
M8 MALE R/A SINGLE ENDED CABLE ASSY



TE Part # CAT-SE594-M1K
M8 MR-FR DOUBLE ENDED CABLE


Customers Also Bought



TE Part #1-2273047-4
M12 A-CODE FEMALE STRAIGHT PIGTAIL



TE Part #1-2273101-4
M12 A-CODE FEMALE R/A PIGTAIL



TE Part #2317655-2
AV25 SPL 3A NO LED FL



TE Part #T4171110502-001
M12 Panel Mount Wire



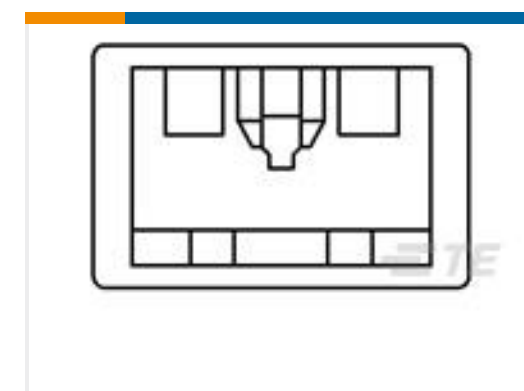
TE Part #TAA753A5501-040
Fieldbus, DeviceNet M12 A-Code 5p PUR



TE Part #4-603225-0
AMP-TY HD BLK TY2HDB



TE Part #2325098-4
MNTG CLIP,ENETSEAL PLUS



TE Part #1-1318954-1
PL EXII 250 REC HSG 1P NYLON NAT



Documents

Product Drawings

[M8 CABLE RA FEMALE 7M 4P PVC CABLE](#)

English

CAD Files

[3D PDF](#)

3D

Customer View Model

[ENG_CVM_CVM_T4051410004-006_A.2d_dxf.zip](#)

English

Customer View Model

[ENG_CVM_CVM_T4051410004-006_A.3d_igs.zip](#)

English

Customer View Model

[ENG_CVM_CVM_T4051410004-006_A.3d_stp.zip](#)

English

By downloading the CAD file I accept and agree to the [Terms and Conditions](#) of use.

Datasheets & Catalog Pages

[M8 / M12 Connector System Catalog](#)

English

Product Specifications

[Application Specification](#)

English