



Sensors > Pressure Sensors > Board Level Pressure Sensors

Proof Pressure Range: **50 bar**

Pressure: **30000 mbar**

Board Level Pressure Sensor Type: **Digital Pressure and Altimeter Sensor Modules**

Board Level Pressure Sensor Style: **Absolute**

## Features

### Product Type Features

Board Level Pressure Sensor Type	Digital Pressure and Altimeter Sensor Modules
Board Level Pressure Sensor Style	Absolute

### Electrical Characteristics

Board Level Pressure Sensor Supply Voltage	1.5 – 3.6 V
--	-------------

### Dimensions

Dimensions	3.3 x 3.3 x 2.75 mm [.11 x .11 x 0.03 in]
------------	---

### Usage Conditions

Pressure	30 bar
Operating Temperature Range	-20 – 85 °C [-4 – 186 °F]

### Operation/Application

Resolution	.2
Output Interface	I2C
Proof Pressure Range	50 bar
Pressure	30000 mbar
Output/Span	24 bit ADC
Board Level Pressure Sensor Accuracy	±1.5mbar

### Packaging Features

Board Level Pressure Sensor Package	Surface Mountable
-------------------------------------	-------------------

### Other

Options	High Endurance, Shielded
---------	--------------------------



## Product Compliance

[For compliance documentation, visit the product page on TE.com>](#)

EU RoHS Directive 2011/65/EU	Compliant
EU ELV Directive 2000/53/EC	Compliant
China RoHS 2 Directive MIIT Order No 32, 2016	No Restricted Materials Above Threshold
EU REACH Regulation (EC) No. 1907/2006	Current ECHA Candidate List: JUN 2020 (209) Candidate List Declared Against: JUL 2019 (201) SVHC > Threshold: Not Yet Reviewed
Halogen Content	Not Yet Reviewed for halogen content
Solder Process Capability	Not reviewed for solder process capability

### Product Compliance Disclaimer

This information is provided based on reasonable inquiry of our suppliers and represents our current actual knowledge based on the information they provided. This information is subject to change. The part numbers that TE has identified as EU RoHS compliant have a maximum concentration of 0.1% by weight in homogenous materials for lead, hexavalent chromium, mercury, PBB, PBDE, DBP, BBP, DEHP, DIBP, and 0.01% for cadmium, or qualify for an exemption to these limits as defined in the Annexes of Directive 2011/65/EU (RoHS2). Finished electrical and electronic equipment products will be CE marked as required by Directive 2011/65/EU. Components may not be CE marked. Additionally, the part numbers that TE has identified as EU ELV compliant have a maximum concentration of 0.1% by weight in homogenous materials for lead, hexavalent chromium, and mercury, and 0.01% for cadmium, or qualify for an exemption to these limits as defined in the Annexes of Directive 2000/53/EC (ELV). Regarding the REACH Regulation, the information TE provides on SVHC in articles for this part number is based on the latest European Chemicals Agency (ECHA) 'Guidance on requirements for substances in articles' posted at this URL: <https://echa.europa.eu/guidance-documents/guidance-on-reach>

## Compatible Parts

 <p>TE Part # CAT-BLPS0000 BOARD LEVEL PRESSURE STOCK LIST</p>	 <p>TE Part # CAT-BLPS0017 0-30 BAR DIGITAL PRESSURE SENSOR</p>	 <p>TE Part # 20005303-00 MS5837-07BA26 07BA DUAL RANGE HE LS T&amp;R</p>
---	---	--

Also in the Series | **MEAS MS5837**

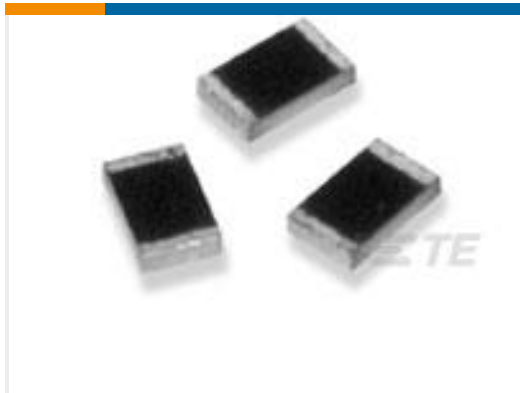


Board Level Pressure Sensors(8)

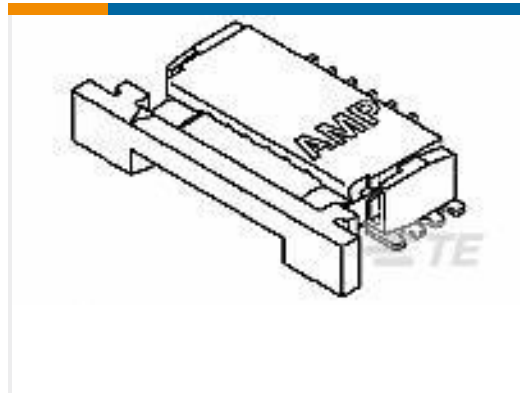


Digital Component Sensors(3)

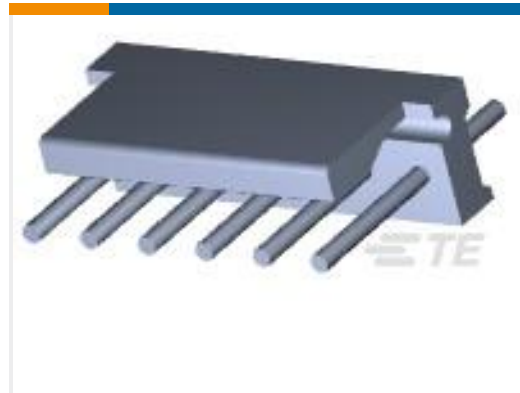
## Customers Also Bought



TE Part #7-1879256-3  
RP 2B 200R 0.1% 15PPM CUT LENGTH



TE Part #1-84952-4  
1MM FPC HORZ.BTMM CONT.ASS.14P



TE Part #644753-6  
06P MTA156 HDR ASSY RN STR F/L



TE Part #4-2176350-3  
CRGCO 2512 10M 5%



TE Part #1676395-1  
RN 0805 619R 0.1% 10PPM CUT LENGTH



TE Part #1676257-1  
RN 0805 22K1 0.1% 10PPM CUT LENGTH



TE Part #1676315-1  
RN 0805 36K5 0.1% 10PPM CUT LENGTH



TE Part #6473418-2  
SUPERSEAL 1.0 HEADERS



TE Part #1571983-9  
GDH06STR04=DIP SWITCH



TE Part #10209200-00  
FB2500-E4055-01

## Documents

### CAD Files

[3D PDF](#)

[3D](#)

### Customer View Model

[ENG\\_CVM\\_CVM\\_20001149-00\\_1.2d\\_dxf.zip](#)

English

### Customer View Model

[ENG\\_CVM\\_CVM\\_20001149-00\\_1.3d\\_igs.zip](#)



English

Customer View Model

[ENG\\_CVM\\_CVM\\_20001149-00\\_1.3d\\_stp.zip](#)

English

By downloading the CAD file I accept and agree to the [Terms and Conditions](#) of use.

---

**Datasheets & Catalog Pages**

[MS5837-30BA](#)

English

---

**Product Specifications**

[Application Specification](#)

English