

M325D-01000B-300BG ✓ ACTIVE

MEAS | MEAS M3200

TE Internal #: 20010085-07

TE Internal Description: PRESS XDCR M325D-01000B-300BG

Pressure Transducers Readily Available

[View on TE.com >](#)



Sensors > Pressure Sensors > Pressure Transducers > Pressure Transducers Readily Available



Pressure Transducer Sensor Type: **Low Cost Pressure Transducers**

Pressure Range: **0 – 300 bar**

Pressure: **300 bar [4351 psi]**

Output/Span: **4 – 20 mA**

Pressure Type: **Gage**

[All Pressure Transducers Readily Available \(186\)](#)

Features

Product Type Features

Pressure Transducer Sensor Type	Low Cost Pressure Transducers
Pressure Type	Gage

Configuration Features

Electrical Connection	M12 Connector
Pressure Port/Fitting	G1/4 JIS B2351 WITH NBR O RING

Electrical Characteristics

Pressure Transducer Supply Voltage	9 – 30 V
------------------------------------	----------

Body Features

Port Material	17-4PH
---------------	--------

Dimensions

Dimensions	22.25 x 22.25 x 55.88 mm [.875 x .875 x 2.2 in]
------------	---

Usage Conditions

Pressure	300 bar[4351 psi]
Operating Temperature Range	-40 – 125 °C, -40 – 125 °C[-40 – 257 °F][-40 – 257 °F]

Operation/Application

Proof Pressure Range	2X Rated
Pressure Range	0 – 300 bar
Output/Span	4 – 20 mA
Pressure Accuracy	±0.25% FSO

Other

Options	Adhesive Label, Snubber
---------	-------------------------

Product Compliance

[For compliance documentation, visit the product page on TE.com>](#)

EU RoHS Directive 2011/65/EU	Not Yet Reviewed
EU ELV Directive 2000/53/EC	Not Yet Reviewed
China RoHS 2 Directive MIIT Order No 32, 2016	Not reviewed for China RoHS compliance
EU REACH Regulation (EC) No. 1907/2006	Current ECHA Candidate List: JUN 2020 (209) Not Yet Reviewed
Halogen Content	Not Yet Reviewed for halogen content
Solder Process Capability	Not reviewed for solder process capability

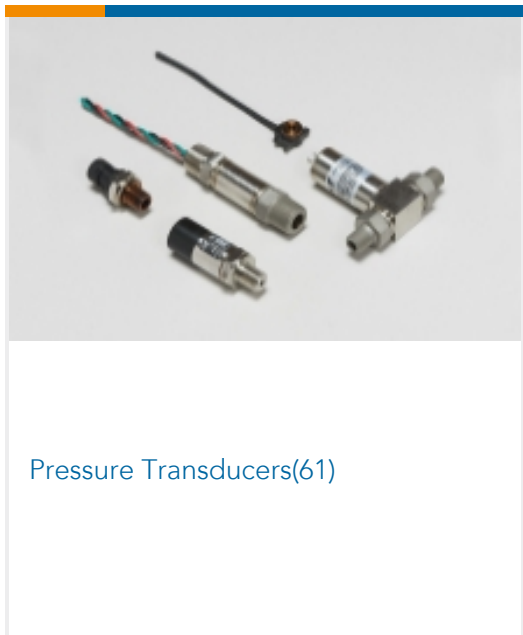
Product Compliance Disclaimer

This information is provided based on reasonable inquiry of our suppliers and represents our current actual knowledge based on the information they provided. This information is subject to change. The part numbers that TE has identified as EU RoHS compliant have a maximum concentration of 0.1% by weight in homogenous materials for lead, hexavalent chromium, mercury, PBB, PBDE, DBP, BBP, DEHP, DIBP, and 0.01% for cadmium, or qualify for an exemption to these limits as defined in the Annexes of Directive 2011/65/EU (RoHS2). Finished electrical and electronic equipment products will be CE marked as required by Directive 2011/65/EU. Components may not be CE marked. Additionally, the part numbers that TE has identified as EU ELV compliant have a maximum concentration of 0.1% by weight in homogenous materials for lead, hexavalent chromium, and mercury, and 0.01% for cadmium, or qualify for an exemption to these limits as defined in the Annexes of Directive 2000/53/EC (ELV). Regarding the REACH Regulations, TE's information on SVHC in articles for this part number is still based on the European Chemical Agency (ECHA) 'Guidance on requirements for substances in articles' (Version: 2, April 2011), applying the 0.1% weight on weight concentration threshold at the finished product level. TE is aware of the European Court of Justice ruling of September 10th, 2015 also known as O5A (Once An Article Always An Article) stating that, in case of 'complex object', the threshold for a SVHC must be applied to both the product as a whole and simultaneously to each of the articles forming part of its composition. TE has evaluated this ruling based on the new ECHA "Guidance on requirements for substances in articles" (June 2017, version 4.0) and will be updating its statements accordingly.

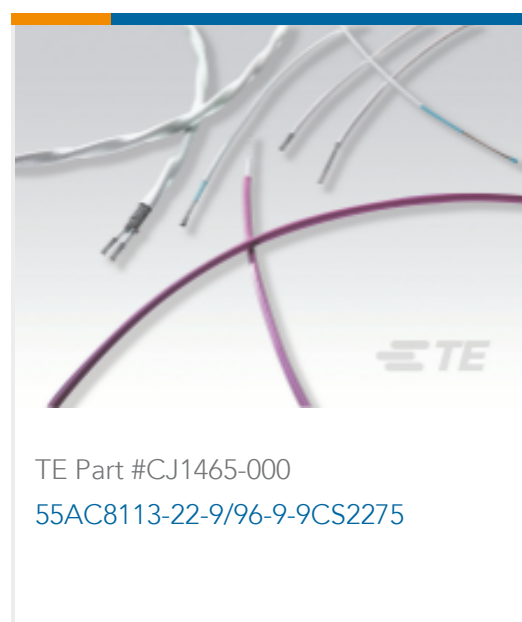
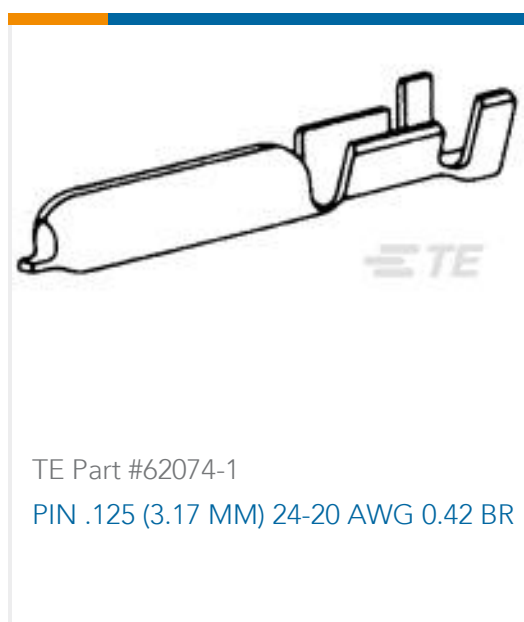
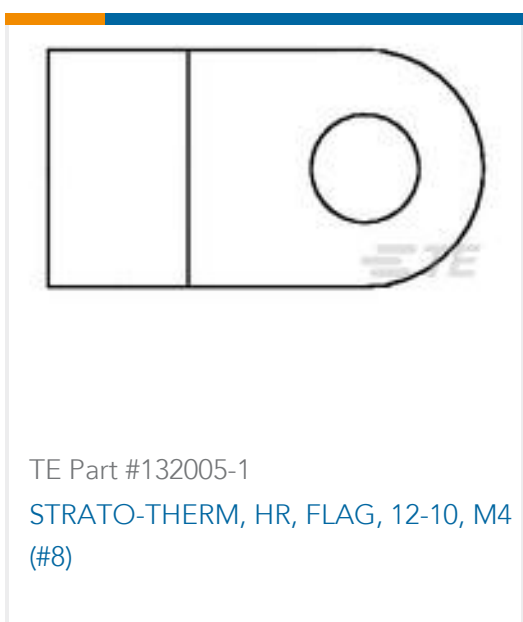
Compatible Parts



Also in the Series | MEAS M3200



Customers Also Bought





Documents

CAD Files

3D PDF

3D

Customer View Model

[ENG_CVM_CVM_20010085-07_H.2d_dxf.zip](#)

English

Customer View Model

[ENG_CVM_CVM_20010085-07_H.3d_igs.zip](#)

English

Customer View Model

[ENG_CVM_CVM_20010085-07_H.3d_stp.zip](#)

English

By downloading the CAD file I accept and agree to the [Terms and Conditions](#) of use.

Datasheets & Catalog Pages

M3200 Pressure Transducer

English