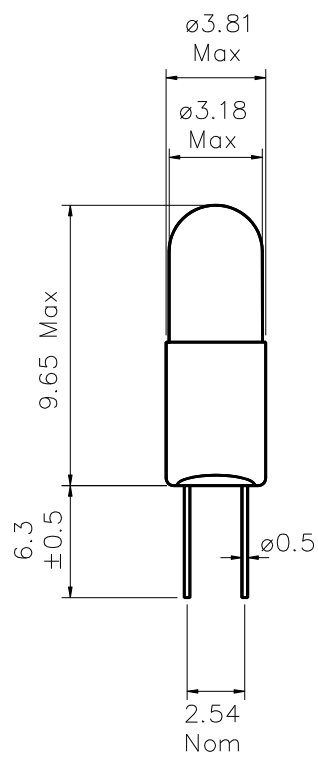


Part Number: 01145200

Type	Size	Rating	Description
Incandescent	T3	18V 26mA	T-1 Bi-pin Lamp



Dimensions in millimetres

TEST VOLTS	CURRENT (mA)			LIGHT OUTPUT (Lm)			LIFE Hours
	Min.	Nom.	Max.	Min.	Nom.	Max.	
18	23.4	26.0	28.6	1.4	1.9	2.4	16,000

Notes:

- 1 **Base Type** Black Nylon Bi-pin, 2.54mm pin spacing
Gold plated pins
- 2 **Filament Shape** CC-2F
- 3 **Lamp Marking** 18V
- 4 **Environmental** RoHS & REACH SVHC compliant