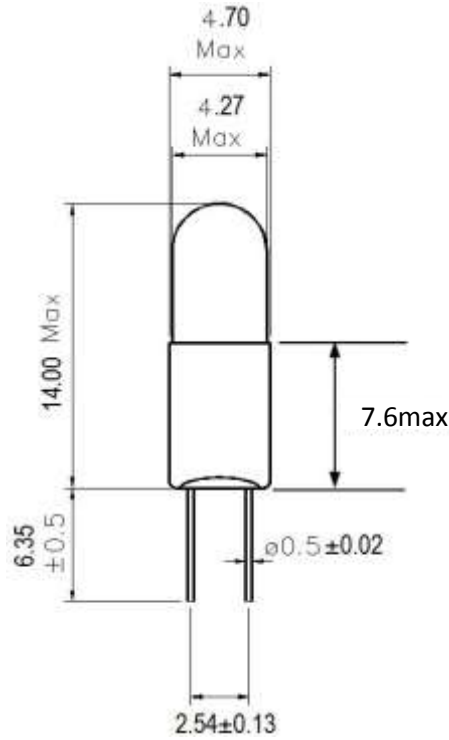


Part Number: 7309

Type	Size	Rating	Description
Incandescent	T4	6V 60mA	T-1¼ Sub-miniature Bi-pin



Dimensions in millimetres

TEST VOLTS	CURRENT (mA)			LIGHT OUTPUT (Lm)			LIFE Hours
	Min.	Nom.	Max.	Min.	Nom.	Max.	
6	54	60	66	1.2	1.6	2.0	3,000

Notes:

- 1 **Base type** T-1¼ Bi-pin  
White nylon
- 2 **Filament shape** C-2R
- 3 **Lamp marking** CM7309
- 4 **Environmental** RoHS & REACH SVHC compliant