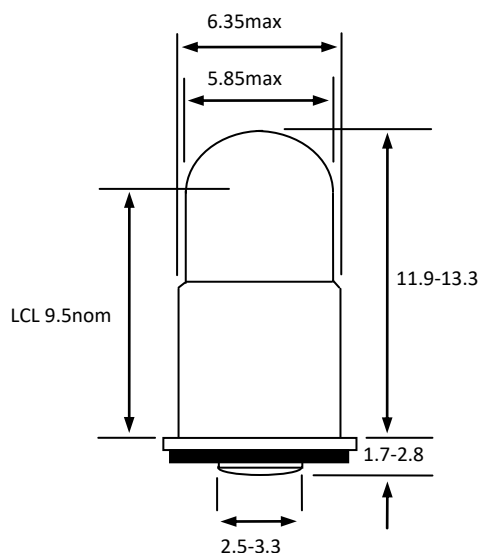


Part Number: 727

Type	Size	Rating	Description
Incandescent	T6	28V 40mA	T-1 $\frac{3}{4}$ Midget Flange lamp



Dimensions in millimetres

TEST VOLTS	CURRENT (mA)			LIGHT OUTPUT (Lm)			LIFE Hours
	Min.	Nom.	Max.	Min.	Nom.	Max.	
28	36	40	44	3.4	4.5	5.6	4,000

Notes:

- 1 **Base Type** SX6s to EN60061-1 with black insulator
- 2 **Filament Shape** C-2F
- 3 **Lamp Marking** CML727 28V 40mA or CML727
- 4 **Environmental** RoHS & REACH SVHC compliant