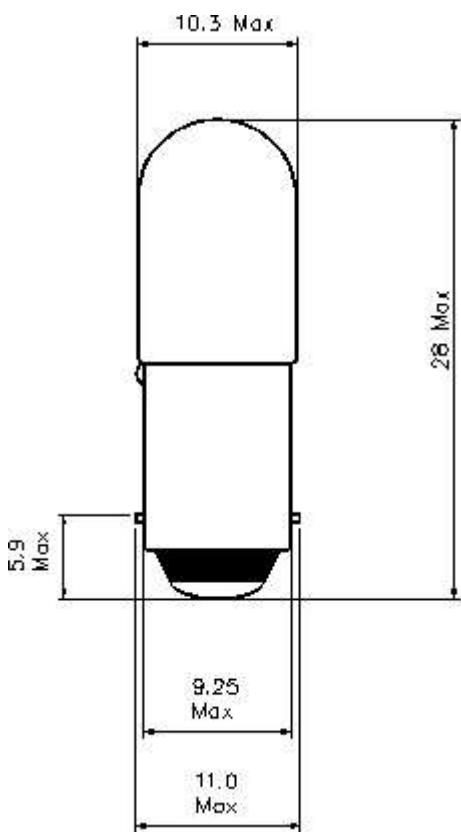


Part Number: W1152

Type	Size	Rating	Description
Incandescent	T10	24V 2W	T-3¼ Miniature Bayonet Lamp



Dimensions in millimetres

TEST VOLTS	CURRENT (mA)			LIGHT OUTPUT (Lm)			LIFE Hours
	Min.	Nom.	Max.	Min.	Nom.	Max.	
28	72	80	88	6.0	7.8	9.5	7,500

Notes:

- 1 **Base Type** BA9s/13 (BS EN 60061-1)
- 2 **Filament Shape** C-2F
- 3 **LCL** 16mm nominal
- 4 **Bead colour** White or clear
- 5 **Lamp Marking** CML 24V 2W
- 6 **Environmental** RoHS & REACH SVHC compliant