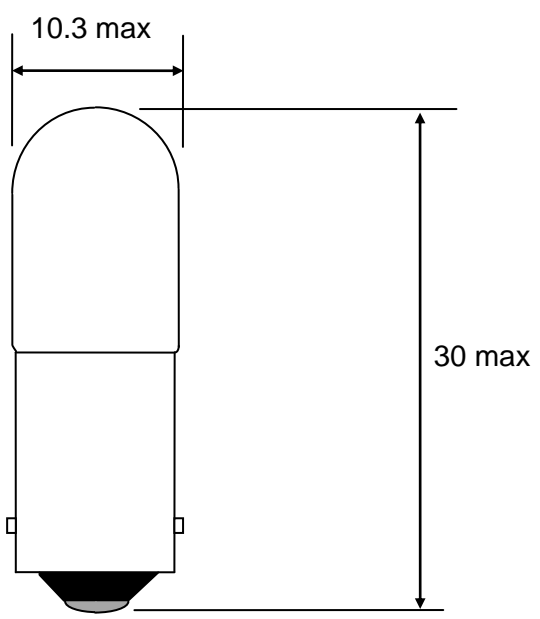


PRODUCT DATA SHEET

Part Number: CM757

Type	Size	Rating	Description
Incandescent	T10	28V 80mA	T-3¼ Bayonet Lamp



Dimensions in millimetres

TEST VOLTS	CURRENT (mA)			LIGHT OUTPUT (Lm)			LIFE Hours
	Min.	Nom.	Max.	Min.	Nom.	Max.	
28	72	80	88	6.0	7.8	9.5	7,500

Notes:

- 1 **Base Type** BA9s/13 Nickel plated brass
- 2 **Filament Shape** C-2F
- 3 **Bead Colour** White or clear
- 4 **Lamp Marking** CML757 28V 80mA
- 5 **Environmental** RoHS & REACH SVHC compliant