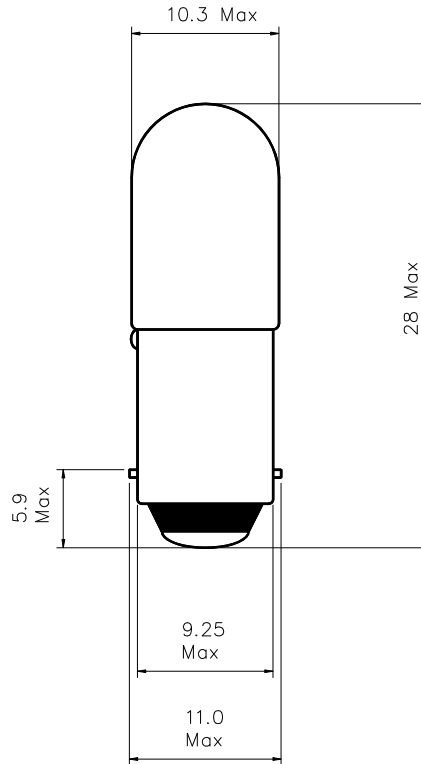


Part Number: W1212

Type	Size	Rating	Description
Incandescent	T10	6V 200mA	T-3¼ Miniature Bayonet Lamp



Dimensions in millimetres

TEST VOLTS	CURRENT (mA)			LIGHT OUTPUT (Lm)			LIFE Hours
	Min.	Nom.	Max.	Min.	Nom.	Max.	
6	180	200	220	2.8	3.8	4.8	15,000

Notes:

- |   |                            |                             |
|---|----------------------------|-----------------------------|
| 1 | <b>Base Type</b>           | BA9s/13 Nickel plated brass |
| 2 | <b>Filament Shape</b>      | C-2R                        |
| 3 | <b>Light centre Length</b> | 16mm nominal                |
| 4 | <b>Lamp Marking</b>        | CML 6V 200mA                |
| 5 | <b>Bead colour</b>         | White or clear              |
| 6 | <b>Environmental</b>       | RoHS & REACH SVHC compliant |