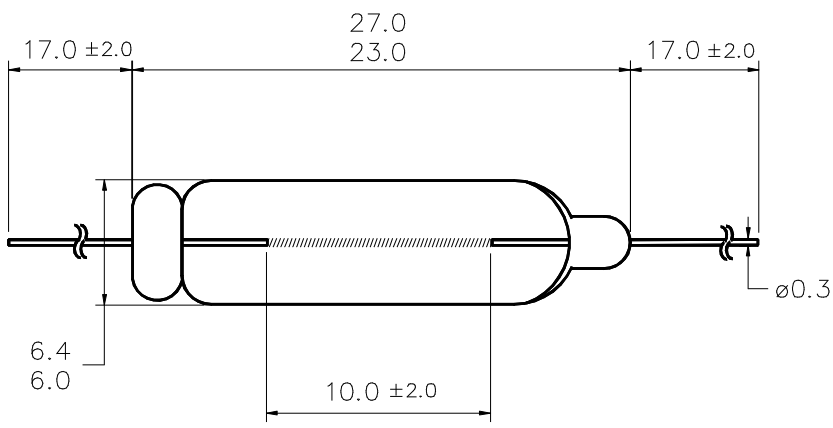


Part Number: 6275AL-LF

Type	Size	Rating	Description
Incandescent	T6.2 x 25	12V 110mA	Wire Terminal Axial Lamp



Dimensions in millimetres

TEST VOLTS	CURRENT (mA)			LIGHT OUTPUT (Lm)			LIFE Hours
	Min.	Nom.	Max.	Min.	Nom.	Max.	
12	99	110	121	5.3	7.0	8.7	2,500

Notes:

- 1 **Filament Shape** C-8
- 2 **Leadwire** Untinned
- 3 **Environmental** RoHS & REACH SVHC compliant