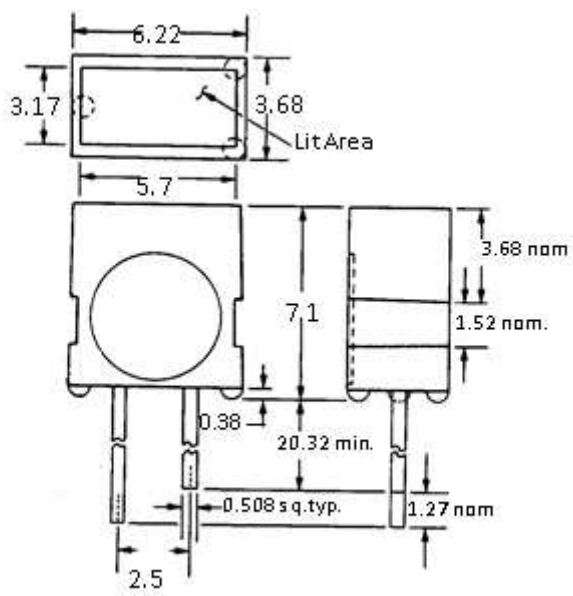


Part Number: V53124A

Type	Colour	Wavelength	Description
LED	Yellow	585nm	Rectangular LED Indicator



Characteristics	
Lens type	Yellow diffuse
Luminous intensity(mcd @ 20mA)	1.0min 6.0typ
Viewing angle(2θ½)	100°
Absolute maximum ratings(T_A=25°C)	
Power dissipation	120mW
Continuous forward current	30mA
Peak forward current(1us, 0.3%DF)	90mA
Storage and operating temperatures	-55 - +100°C
Lead soldering time @ 260°C(1.6mm below package base)	5sec
Operating characteristics(T_A=25°C)	
Peak wavelength(I _F =20mA)	585nm
Spectral line half-width(I _F =20mA)	45nm
Capacitance(typ)(V _F =0V;f=1MHz)	45pF
Reverse current(max)(V _R =5V)	100uA
Approved supplier	Everlight
Packaging type	Loose in bags