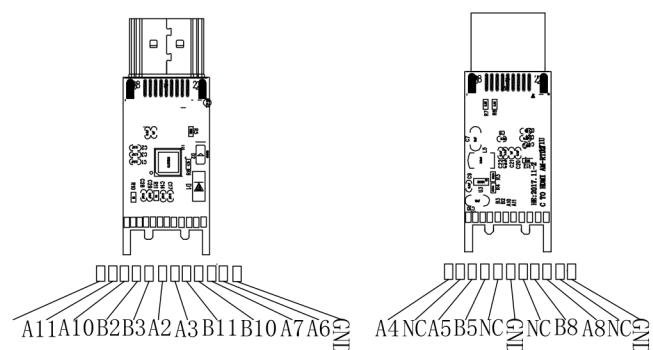
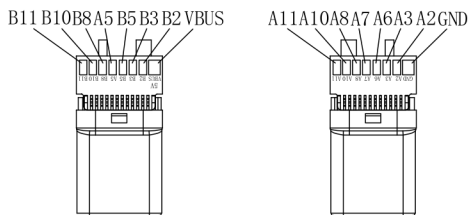
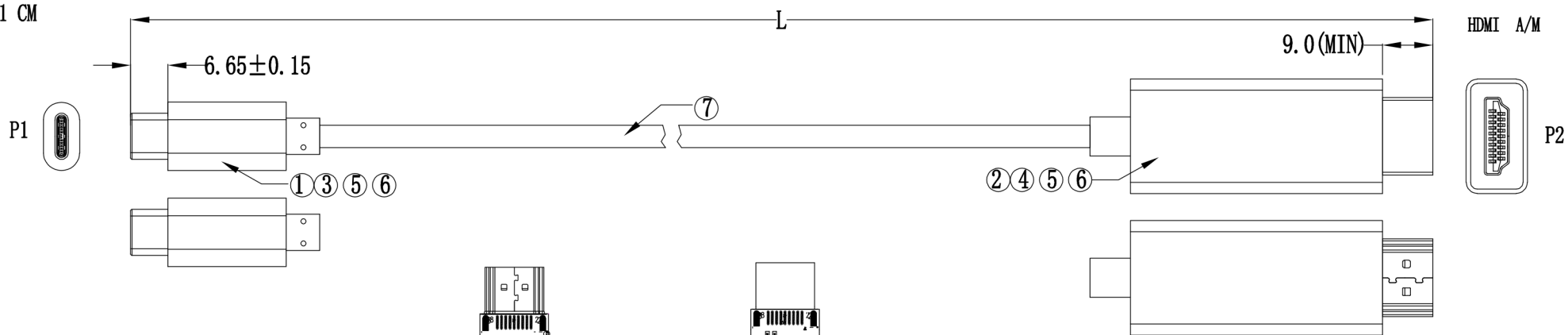


ELECTRICAL TEST:

- 1.100% OPEN SHORT MIS WIRE TEST
- 2.CONTACT RESISTANCE:3 OHM MAX
- 3.INSULATION RESISTANCE:5M OHM MIN
- 4.HI-POT TEST:DC 300V/10ms
- 5.PASS 3840*2160P@60HZ/ TEST

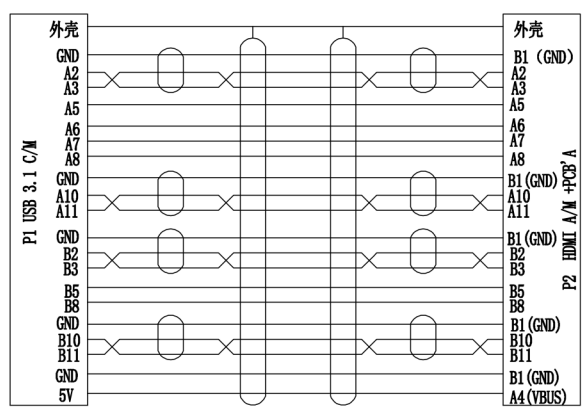
CONSUMER ITEM	LENGTH(mm)
PSG3407-60HZ-1M	1000±30
PSG3408-60HZ-2M	2000±30
PSG3409-60HZ-3M	3000±30

USB 3.1 CM



★HDMI A/M RTD2172U

NO.	PART NAME	DESCRIPTION	UNIT
⑦	Cable	USB3.1 (#32*1P+D+AL+HM)*4C+#32*4C+#32*1P+#24*1C+#26*1C+AB+BC Braid PVC BLACK Jacket OD4.7MM	M
⑥	outer molding	BLACK PVC 45P	20g
⑤	inner molding	PE,Nature color	10g
④	SHELL	BLACK ABS SHELL L45*W21.2mm	1PCS
③	SHELL	BLACK ABS SHELL L21*W12.25mm	1PCS
②	Connector	HDMI AM 19P PIN:G/F,SHELL:Gold plated	1PCS
①	Connector	USB C/M PIN:G/F,SHELL:Gold plated	1PCS



APPROVED	CHECKED	DRAWING	DESIGNED	DESCRIPTION	FINISHED PRODUCT'S FIGURE	SCALE	FIT	UNITS: MM	1RD ANGLE
				MODEL NO.		△			
				DRAWING NO.	256-054	△			
				FINISHING		△	2020/11/05		A1
				MATERIAL		SYM	DATE		REVISION

YAN YAN