



TE Internal #: ESA002N00320001000

Standard Circular Connectors, Cable-to-Cable, 12 Position, Signal, Cable Mount (Free-Hanging), Electrodeposited Nickel, Zinc Alloy, PBT / PA

[View on TE.com >](#)

Connectors > Circular Connectors > Standard Circular Connectors



Connector System: **Cable-to-Cable**

Number of Positions: **12**

Sealable: **No**

Circuit Application: **Signal**

Connector Mounting Type: **Cable Mount (Free-Hanging)**

Features

Product Type Features

Product Type	Connector
Connector System	Cable-to-Cable
Sealable	No
Circular Connector Type	Receptacle
Shell Type	Metal

Configuration Features

Number of Positions	12
Number of Signal Positions	12

Electrical Characteristics

Operating Voltage	63 VAC
-------------------	--------

Body Features

Environmental Protection	IP67
Shell Plating Material	Electrodeposited Nickel
Shell Base Material	Zinc Alloy



Circular Connector Insulation Material Type PA, PBT

Contact Features

Circular Connector Contact Type Socket

Mechanical Attachment

Mating Retention Type Push-Pull Self-Locking

Panel Mount Feature Type Twist & Lock Flange

Connector Mounting Type Cable Mount (Free-Hanging)

Housing Features

Circular Connector Shell Size 15

Dimensions

Cable Diameter Range 6.5 – 8.5 mm [.26 – .33 in]

Usage Conditions

Operating Temperature Range -20 – 130 °C [-4 – 266 °F]

Operation/Application

Durability Rating 500 Cycles

Circuit Application Signal

Shielded Yes

Industry Standards

UL Flammability Rating UL 94V-0

Approved Standards UL

Product Compliance

[For compliance documentation, visit the product page on TE.com>](#)

EU RoHS Directive 2011/65/EU Compliant

EU ELV Directive 2000/53/EC Not Yet Reviewed

China RoHS 2 Directive MIIT Order No 32, 2016 No Restricted Materials Above Threshold

EU REACH Regulation (EC) No. 1907/2006
 Current ECHA Candidate List: JUN 2020 (209)
 Candidate List Declared Against: JUN 2020 (209)
 Does not contain REACH SVHC

Halogen Content BFR/CFR/PVC Free, but Br/Cl >900 ppm in other sources.

Solder Process Capability Not reviewed for solder process capability

Product Compliance Disclaimer

This information is provided based on reasonable inquiry of our suppliers and represents our current actual knowledge based on the information they provided. This information is subject to change. The part numbers that TE has identified as EU RoHS compliant have a maximum concentration of 0.1% by weight in homogenous materials for lead, hexavalent chromium, mercury, PBB, PBDE, DBP, BBP, DEHP, DIBP, and 0.01% for cadmium, or qualify for an exemption to these limits as defined in the Annexes of Directive 2011/65/EU (RoHS2). Finished electrical and electronic equipment products will be CE marked as required by Directive 2011/65/EU. Components may not be CE marked. Additionally, the part numbers that TE has identified as EU ELV compliant have a maximum concentration of 0.1% by weight in homogenous materials for lead, hexavalent chromium, and mercury, and 0.01% for cadmium, or qualify for an exemption to these limits as defined in the Annexes of Directive 2000/53/EC (ELV). Regarding the REACH Regulation, the information TE provides on SVHC in articles for this part number is based on the latest European Chemicals Agency (ECHA) 'Guidance on requirements for substances in articles' posted at this URL: <https://echa.europa.eu/guidance-documents/guidance-on-reach>

Compatible Parts



TE Part # EKA001N00320001000
615 EXTENSION



TE Part # EGA101N00000001000
615/915 YTEC RECEPTACLE, ANGLED



TE Part # EGC101N00000006000
615/915 YTEC RECEPTACLE, ANGLED



TE Part # EGA001N00000600000
615 ITEC RECEPTACLE, ANGLED



TE Part # 60-0252-011-000
CONTACT SOCKET 1 MM



TE Part # C0-0258-000-000
POSITIONING INSERT FOR 1 MM CONTACTS



TE Part # C0-0201-000-000
CRIMPING TOOL MID-SIZE



TE Part # C0-0235-000-000
DIGITAL CRIMPING TOOL, SMALL



TE Part # EGA001N00000651000
615 itec receptacle angl rotatable 25x25



TE Part # EGA001N00000652000
615 itec receptacle angled

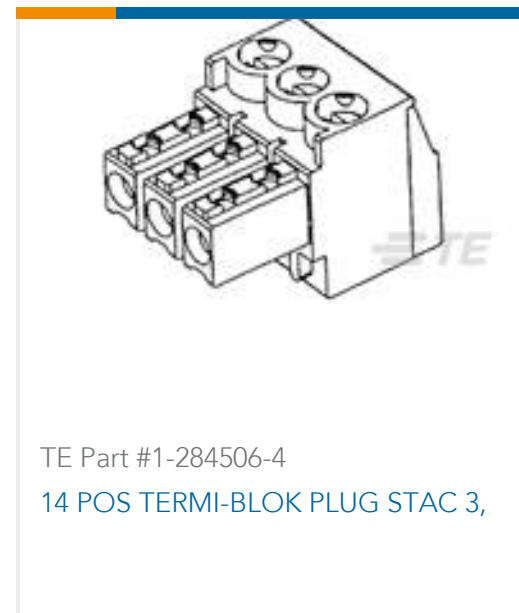


TE Part # EGC001N00000651000
615 itec receptacle angl rotatable 25x25



TE Part # EGC001N00000652000
615 itec receptacle angl rotatable 28x28

Customers Also Bought



Documents

CAD Files

3D PDF

3D

Customer View Model

[ENG_CVM_CVM_ESA002N00320001000_A.2d_dxf.zip](#)

English

Customer View Model

[ENG_CVM_CVM_ESA002N00320001000_A.3d_igs.zip](#)

English

Customer View Model

[ENG_CVM_CVM_ESA002N00320001000_A.3d_stp.zip](#)

English

By downloading the CAD file I accept and agree to the [Terms and Conditions](#) of use.

Datasheets & Catalog Pages

[ESA002N00320001000](#)

English

Instruction Sheets



[Instruction Sheet \(non U.S.\)](#)

English