

BSTA109NN00420136000 ✓ ACTIVE

TE Internal #: BSA109N00420136000

Standard Circular Connectors, Cable-to-Cable, Power & Signal,
Cable Mount (Free-Hanging), Electrodeposited Nickel, Zinc Alloy,
PBT GF, 23 Shell Size

[View on TE.com >](#)



Connectors > Circular Connectors > Standard Circular Connectors



Connector System: **Cable-to-Cable**

Sealable: **No**

Circuit Application: **Power & Signal**

Connector Mounting Type: **Cable Mount (Free-Hanging)**

Shell Plating Material: **Electrodeposited Nickel**

Features

Product Type Features

Product Type	Connector
Connector System	Cable-to-Cable
Sealable	No
Circular Connector Type	Plug
Shell Type	Metal

Electrical Characteristics

Operating Voltage	630 VAC
-------------------	---------

Body Features

Environmental Protection	IP67
Shell Plating Material	Electrodeposited Nickel
Shell Base Material	Zinc Alloy
Circular Connector Insulation Material Type	PBT GF

Mechanical Attachment

Mating Retention Type	Speedtec (Triple Start Threaded)
-----------------------	----------------------------------



Connector Mounting Type

Cable Mount (Free-Hanging)

Housing Features

Circular Connector Shell Size

23

Alignment Keyed

0°

Dimensions

Cable Diameter Range

9.5 – 14.5 mm [.37 – .57 in]

Usage Conditions

Operating Temperature Range

-20 – 130 °C [-4 – 266 °F]

Operation/Application

Durability Rating

500 Cycles

Circuit Application

Power & Signal

Shielded

Yes

Industry Standards

UL Flammability Rating

UL 94V-0

Approved Standards

UL

Product Compliance

[For compliance documentation, visit the product page on TE.com>](#)

EU RoHS Directive 2011/65/EU

Compliant with Exemptions

EU ELV Directive 2000/53/EC

Not Yet Reviewed

China RoHS 2 Directive MIIT Order No 32, 2016

Restricted Materials Above Threshold

EU REACH Regulation (EC) No. 1907/2006

Current ECHA Candidate List: JUN 2020 (209)
 Candidate List Declared Against: JAN 2020 (205)
 SVHC > Threshold:
 Pb (3.5% in Component)

Article Safe Usage Statements:

Do not eat, drink or smoke when using this product. Wash thoroughly after handling. Recycle if possible and dispose of the article by following all applicable governmental regulations relevant to your geographic location.

Halogen Content

Not Yet Reviewed for halogen content

Solder Process Capability

Not reviewed for solder process capability

Product Compliance Disclaimer

This information is provided based on reasonable inquiry of our suppliers and represents our current actual knowledge based on the information they provided. This information is subject to change. The part numbers that TE has identified as EU RoHS compliant have a maximum concentration of 0.1% by weight in homogenous materials for lead, hexavalent chromium, mercury, PBB, PBDE, DBP, BBP, DEHP, DIBP, and 0.01% for cadmium, or qualify for an exemption to these



limits as defined in the Annexes of Directive 2011/65/EU (RoHS2). Finished electrical and electronic equipment products will be CE marked as required by Directive 2011/65/EU. Components may not be CE marked. Additionally, the part numbers that TE has identified as EU ELV compliant have a maximum concentration of 0.1% by weight in homogenous materials for lead, hexavalent chromium, and mercury, and 0.01% for cadmium, or qualify for an exemption to these limits as defined in the Annexes of Directive 2000/53/EC (ELV). Regarding the REACH Regulation, the information TE provides on SVHC in articles for this part number is based on the latest European Chemicals Agency (ECHA) 'Guidance on requirements for substances in articles' posted at this URL: <https://echa.europa.eu/guidance-documents/guidance-on-reach>

Compatible Parts



TE Part # BGC091N00001116000
923 RECEPTACLE, ANGLED, ROTATABLE

TE Part # C0-0003-000-000
POSITIONING INSERT FOR 1 MM CONTACTS

TE Part # C0-0236-000-000
DIGITAL CRIMPING TOOL, MID SIZE

TE Part # C0-0201-000-000
CRIMPING TOOL MID-SIZE

TE Part # C0-0004-000-000
POSITIONING INSERT FOR 2 MM CONTACTS

TE Part # C0-0235-000-000
DIGITAL CRIMPING TOOL, SMALL

TE Part # C0-0101-000-000
CRIMPING TOOL SMALL WITH POSITIONER

Customers Also Bought



TE Part #8-2176370-3
RQ 0603 3K09 0.1% 10PPM 5K RL



TE Part #931273-000
HEX40-AC-00-19-A7-1



TE Part #YDTS20F23-55PBC001
D38999: Square Flange, 23-55 insert

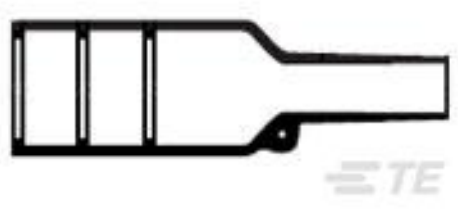
TE Part #ZPF000000000015484
DMC-MD 88 A 01



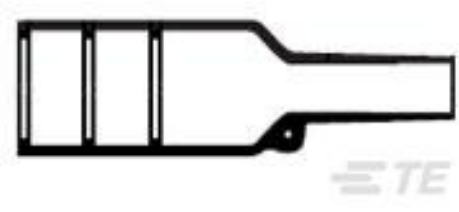
TE Part #BKA145N00420100000
923 EXTENSION, SPEEDTEC



TE Part #CZ1867-000
222D221-25-70/225-0



TE Part #CZ1869-000
202K163-25-20/225-0



TE Part #CZ2454-000
202K153-25-20/225-0



Documents

Product Drawings

[923 PLUG, SHORT, SPEEDTEC](#)

English

CAD Files

[3D PDF](#)

3D

Customer View Model

[ENG_CVM_CVM_BSA109N00420136000_A.2d_dxf.zip](#)

English

Customer View Model

[ENG_CVM_CVM_BSA109N00420136000_A.3d_igs.zip](#)

English

Customer View Model

[ENG_CVM_CVM_BSA109N00420136000_A.3d_stp.zip](#)

English

By downloading the CAD file I accept and agree to the [Terms and Conditions](#) of use.

Datasheets & Catalog Pages

[BSA109N00420136000](#)

English

Instruction Sheets

[Instruction Sheet \(non U.S.\)](#)

English