



TE Internal #: ESB002N00310001000
 Standard Circular Connectors, Cable-to-Cable, Signal, Cable Mount (Free-Hanging), Electrodeposited Nickel, Zinc Alloy, PBT+PA, 15 Shell Size, Shielded

[View on TE.com >](#)

Connectors > Circular Connectors > Standard Circular Connectors



Connector System: **Cable-to-Cable**
 Sealable: **No**
 Circuit Application: **Signal**
 Connector Mounting Type: **Cable Mount (Free-Hanging)**
 Shell Plating Material: **Electrodeposited Nickel**

Features

Product Type Features

Product Type	Connector
Connector System	Cable-to-Cable
Sealable	No
Circular Connector Type	Plug
Shell Type	All Plastic

Electrical Characteristics

Operating Voltage	63 VAC
-------------------	--------

Body Features

Environmental Protection	IP67
Shell Plating Material	Electrodeposited Nickel
Shell Base Material	Zinc Alloy
Circular Connector Insulation Material Type	PBT+PA

Mechanical Attachment

Mating Retention Type	Push-Pull Self-Locking
-----------------------	------------------------



Connector Mounting Type

Cable Mount (Free-Hanging)

Housing Features

Circular Connector Shell Size

15

Dimensions

Cable Diameter Range

4.5 – 6.5 mm [.18 – .26 in]

Usage Conditions

Operating Temperature Range

-20 – 130 °C [-4 – 266 °F]

Operation/Application

Durability Rating

500 Cycles

Circuit Application

Signal

Shielded

Yes

Industry Standards

UL Flammability Rating

UL 94V-0

Approved Standards

UL

Product Compliance

For compliance documentation, visit the product page on [TE.com](https://www.te.com)>

EU RoHS Directive 2011/65/EU

Compliant with Exemptions

EU ELV Directive 2000/53/EC

Not Yet Reviewed

China RoHS 2 Directive MIIT Order No 32, 2016

Restricted Materials Above Threshold

EU REACH Regulation (EC) No. 1907/2006

Current ECHA Candidate List: JUN 2020 (209)
Candidate List Declared Against: JUN 2020 (209)
SVHC > Threshold:
Pb (3.5% in Component)
Article Safe Usage Statements:
Do not eat, drink or smoke when using this product. Wash thoroughly after handling. Recycle if possible and dispose of the article by following all applicable governmental regulations relevant to your geographic location.

Halogen Content

Not Yet Reviewed for halogen content

Solder Process Capability

Not reviewed for solder process capability

Product Compliance Disclaimer

This information is provided based on reasonable inquiry of our suppliers and represents our current actual knowledge based on the information they provided. This information is subject to change. The part numbers that TE has identified as EU RoHS compliant have a maximum concentration of 0.1% by weight in homogenous materials for lead, hexavalent chromium, mercury, PBB, PBDE, DBP, BBP, DEHP, DIBP, and 0.01% for cadmium, or qualify for an exemption to these limits as defined in the Annexes of Directive 2011/65/EU (RoHS2). Finished electrical and electronic equipment products will be CE marked as required by Directive 2011/65/EU. Components may not be CE marked. Additionally, the part

numbers that TE has identified as EU ELV compliant have a maximum concentration of 0.1% by weight in homogenous materials for lead, hexavalent chromium, and mercury, and 0.01% for cadmium, or qualify for an exemption to these limits as defined in the Annexes of Directive 2000/53/EC (ELV). Regarding the REACH Regulation, the information TE provides on SVHC in articles for this part number is based on the latest European Chemicals Agency (ECHA) 'Guidance on requirements for substances in articles' posted at this URL: <https://echa.europa.eu/guidance-documents/guidance-on-reach>

Compatible Parts




TE Part # EEA001N0000001000
615 ITEC RECEPTACLE



TE Part # EKB001N00310001000
615 EXTENSION




TE Part # 60-0252-011-000
CONTACT SOCKET 1 MM



TE Part # C0-0258-000-000
POSITIONING INSERT FOR 1 MM CONTACTS



TE Part # C0-0201-000-000
CRIMPING TOOL MID-SIZE



TE Part # C0-0235-000-000
DIGITAL CRIMPING TOOL, SMALL



TE Part # EGA001N00000651000
615 itec receptacle angl rotatable 25x25



TE Part # EGA001N00000652000
615 itec receptacle angled

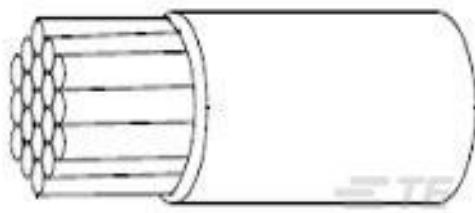


TE Part # EGC001N00000651000
615 itec receptacle angl rotatable 25x25



TE Part # EGC001N00000652000
615 itec receptacle angl rotatable 28x28

Customers Also Bought



TE Part #070069-002
55A0111-10-2



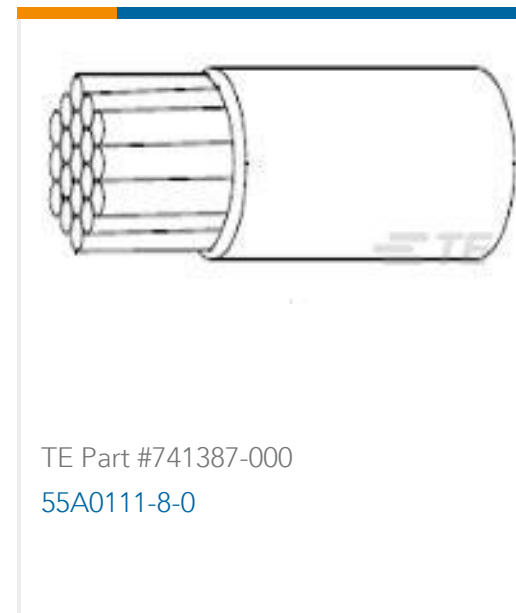
TE Part #EKB201N00330500000
915 EXTENSION



TE Part #3825813001
44A1121-14-0/9-9



TE Part #EKB001N00310001000
615 EXTENSION



Documents

CAD Files

3D PDF

3D

Customer View Model

[ENG_CVM_CVM_ESB002N00310001000_A.2d_dxf.zip](#)

English

Customer View Model

[ENG_CVM_CVM_ESB002N00310001000_A.3d_igs.zip](#)

English

Customer View Model

[ENG_CVM_CVM_ESB002N00310001000_A.3d_stp.zip](#)

English

By downloading the CAD file I accept and agree to the [Terms and Conditions](#) of use.

Datasheets & Catalog Pages

[615 Plug ESTB002NN00310001000](#)

English

[ESB002N00310001000](#)

English

Instruction Sheets

[Instruction Sheet \(non U.S.\)](#)

English