

60.265.11 ✓ ACTIVE

TE Internal #: 60-0265-011-000

Standard Circular Connectors, 5A Contact Current Rating (Max), Power & Signal, Brass, 15 Shell Size, 0° Alignment Keyed, Metal, Socket

[View on TE.com >](#)



Connectors > Circular Connectors > Standard Circular Connectors



Sealable: **No**

Contact Current Rating (Max): **5 A**

Circuit Application: **Power & Signal**

Shell Base Material: **Brass**

Circular Connector Shell Size: **15**

## Features

### Product Type Features

Sealable	No
Shell Type	Metal

### Body Features

Shell Base Material	Brass
---------------------	-------

### Contact Features

Contact Current Rating (Max)	5 A
Circular Connector Contact Type	Socket

### Termination Features

Termination Method to Wire & Cable	Crimp
------------------------------------	-------

### Housing Features

Circular Connector Shell Size	15
Alignment Keyed	0°

### Operation/Application

Durability Rating	500 Cycles
-------------------	------------

Circuit Application

Power &amp; Signal

## Product Compliance

[For compliance documentation, visit the product page on TE.com>](#)

EU RoHS Directive 2011/65/EU	Compliant
EU ELV Directive 2000/53/EC	Compliant with Exemptions
China RoHS 2 Directive MIIT Order No 32, 2016	No Restricted Materials Above Threshold
EU REACH Regulation (EC) No. 1907/2006	Current ECHA Candidate List: JUN 2020 (209) Candidate List Declared Against: JUN 2020 (209) Does not contain REACH SVHC
Halogen Content	Low Halogen - Br, Cl, F, I < 900 ppm per homogenous material. Also BFR/CFR/PVC Free
Solder Process Capability	Not reviewed for solder process capability

### Product Compliance Disclaimer

This information is provided based on reasonable inquiry of our suppliers and represents our current actual knowledge based on the information they provided. This information is subject to change. The part numbers that TE has identified as EU RoHS compliant have a maximum concentration of 0.1% by weight in homogenous materials for lead, hexavalent chromium, mercury, PBB, PBDE, DBP, BBP, DEHP, DIBP, and 0.01% for cadmium, or qualify for an exemption to these limits as defined in the Annexes of Directive 2011/65/EU (RoHS2). Finished electrical and electronic equipment products will be CE marked as required by Directive 2011/65/EU. Components may not be CE marked. Additionally, the part numbers that TE has identified as EU ELV compliant have a maximum concentration of 0.1% by weight in homogenous materials for lead, hexavalent chromium, and mercury, and 0.01% for cadmium, or qualify for an exemption to these limits as defined in the Annexes of Directive 2000/53/EC (ELV). Regarding the REACH Regulation, the information TE provides on SVHC in articles for this part number is based on the latest European Chemicals Agency (ECHA) 'Guidance on requirements for substances in articles' posted at this URL: <https://echa.europa.eu/guidance-documents/guidance-on-reach>

## Compatible Parts

 <p>TE Part # ESA205N00330003000 915 PLUG</p>	 <p>TE Part # ESA205N00340003000 915 PLUG</p>	 <p>TE Part # ESB205N00330003000 915 PLUG</p>	 <p>TE Part # ESB205N00310003000 915 PLUG</p>
--	---	--	--




TE Part # C0-0258-000-000  
POSITIONING INSERT FOR 1 MM CONTACTS



TE Part # C0-0201-000-000  
CRIMPING TOOL MID-SIZE




TE Part # C0-0235-000-000  
DIGITAL CRIMPING TOOL, SMALL



TE Part # ESB205N00320003000  
915 PLUG



TE Part # ESA205N00320003000  
915 PLUG



TE Part # ESA205N00310003000  
915 plug

### Customers Also Bought



TE Part #2041215-1  
0.5mm FPC Connectors



TE Part #3-1879352-2  
RR02 5% 6R2 AMMO



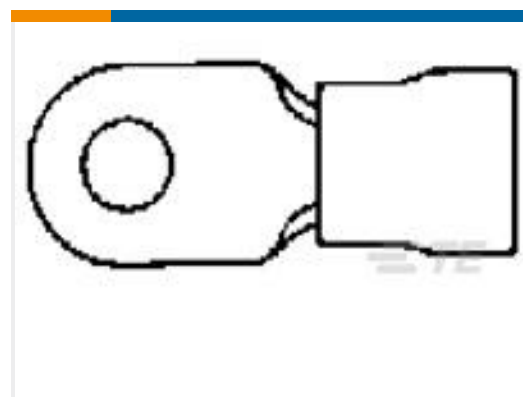
TE Part #2170703-4  
CAGE ASSEMBLY, QSFP28 1X1, SPRING



TE Part #9-2176312-2  
RP 1E 0.1W 110K 0.1% 25PPM 1K RL



TE Part #1676215-1  
RN 0805 196R 0.1% 10PPM CUT LENGTH



TE Part #53980-1  
TERMINAL,R PVF2 PG 4 1/4



TE Part #EKA001N00320001000  
615 EXTENSION



TE Part #5-2176373-6  
RQ 0805 37R4 0.1% 10PPM 1K RL



TE Part #61-0239-011-000  
CONTACT PIN 1 MM



TE Part #60-0252-011-000  
CONTACT SOCKET 1 MM

### Documents



### CAD Files

#### 3D PDF

3D

#### Customer View Model

[ENG\\_CVM\\_CVM\\_60-0265-011-000\\_A.2d\\_dxf.zip](#)

English

#### Customer View Model

[ENG\\_CVM\\_CVM\\_60-0265-011-000\\_A.3d\\_igs.zip](#)

English

#### Customer View Model

[ENG\\_CVM\\_CVM\\_60-0265-011-000\\_A.3d\\_stp.zip](#)

English

By downloading the CAD file I accept and agree to the [Terms and Conditions](#) of use.

### Datasheets & Catalog Pages

[SOCKET 1mm 60.265.11](#)

English