



Connectors > Circular Connectors > Standard Circular Connectors



Sealable: **No**

Contact Current Rating (Max): **30 A**

Circuit Application: **Power**

Shell Base Material: **Brass**

Circular Connector Shell Size: **23**

## Features

### Product Type Features

Sealable	No
Shell Type	Metal

### Body Features

Shell Base Material	Brass
---------------------	-------

### Contact Features

Contact Current Rating (Max)	30 A
Circular Connector Contact Type	Socket

### Termination Features

Termination Method to Wire & Cable	Crimp
------------------------------------	-------

### Housing Features

Circular Connector Shell Size	23
Alignment Keyed	0°

### Operation/Application

Durability Rating	500 Cycles
-------------------	------------



Circuit Application

Power

## Product Compliance

For compliance documentation, visit the product page on TE.com>

EU RoHS Directive 2011/65/EU	Compliant with Exemptions
EU ELV Directive 2000/53/EC	Not Yet Reviewed
China RoHS 2 Directive MIIT Order No 32, 2016	Restricted Materials Above Threshold
EU REACH Regulation (EC) No. 1907/2006	<p>Current ECHA Candidate List: JUN 2020 (209)</p> <p>Candidate List Declared Against: JUN 2020 (209)</p> <p>SVHC &gt; Threshold: Pb (1.5% in Component)</p> <p><b>Article Safe Usage Statements:</b> Do not eat, drink or smoke when using this product. Wash thoroughly after handling. Recycle if possible and dispose of the article by following all applicable governmental regulations relevant to your geographic location.</p>
Halogen Content	Not Yet Reviewed for halogen content
Solder Process Capability	Not reviewed for solder process capability

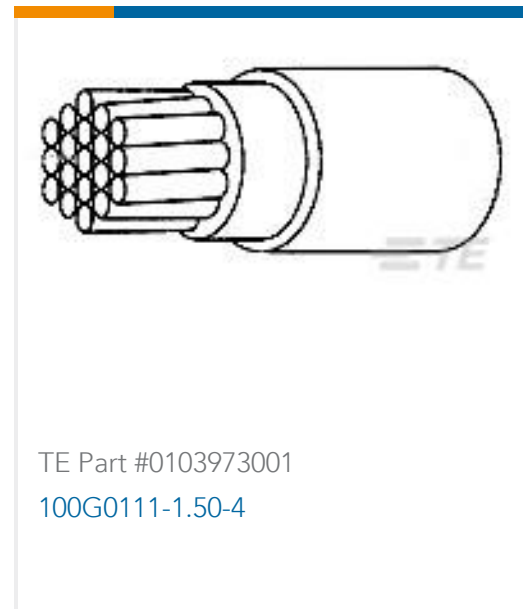
### Product Compliance Disclaimer

This information is provided based on reasonable inquiry of our suppliers and represents our current actual knowledge based on the information they provided. This information is subject to change. The part numbers that TE has identified as EU RoHS compliant have a maximum concentration of 0.1% by weight in homogenous materials for lead, hexavalent chromium, mercury, PBB, PBDE, DBP, BBP, DEHP, DIBP, and 0.01% for cadmium, or qualify for an exemption to these limits as defined in the Annexes of Directive 2011/65/EU (RoHS2). Finished electrical and electronic equipment products will be CE marked as required by Directive 2011/65/EU. Components may not be CE marked. Additionally, the part numbers that TE has identified as EU ELV compliant have a maximum concentration of 0.1% by weight in homogenous materials for lead, hexavalent chromium, and mercury, and 0.01% for cadmium, or qualify for an exemption to these limits as defined in the Annexes of Directive 2000/53/EC (ELV). Regarding the REACH Regulation, the information TE provides on SVHC in articles for this part number is based on the latest European Chemicals Agency (ECHA) 'Guidance on requirements for substances in articles' posted at this URL: <https://echa.europa.eu/guidance-documents/guidance-on-reach>

## Compatible Parts

<p>TE Part # C0-0324-000-000</p> <p>DIGITAL CRIMPING TOOL</p>	<p>TE Part # C0-0138-000-000</p> <p>POSITIONING INSERT FOR 2 MM CONTACTS</p>	<p>TE Part # C0-0201-000-000</p> <p>CRIMPING TOOL MID-SIZE</p>
---	--	--

## Customers Also Bought



## Documents

### Product Drawings

#### CONTACT SOCKET 2 MM

English

### CAD Files

#### 3D PDF

3D

#### Customer View Model

[ENG\\_CVM\\_CVM\\_60-0272-011-000\\_A.2d\\_dxf.zip](#)

English

#### Customer View Model

[ENG\\_CVM\\_CVM\\_60-0272-011-000\\_A.3d\\_igs.zip](#)

English

#### Customer View Model

[ENG\\_CVM\\_CVM\\_60-0272-011-000\\_A.3d\\_stp.zip](#)

English

By downloading the CAD file I accept and agree to the [Terms and Conditions](#) of use.

### Datasheets & Catalog Pages

60.272.11

Standard Circular Connectors, 30A Contact Current Rating (Max), Power, Brass, 23  
Shell Size, 0° Alignment Keyed, Metal, Socket



[60-0272-011-000](#)

English