



TE Internal #: AGC175N00001200000

Standard Circular Connectors, Cable-to-Panel, Signal, Motor, Blue Chromium, Zinc Alloy, PBT, 23 Shell Size, Shielded, Receptacle, 0° Alignment Keyed

[View on TE.com >](#)

Connectors > Circular Connectors > Standard Circular Connectors



Connector System: **Cable-to-Panel**

Sealable: **No**

Circuit Application: **Signal**

Connector Mounting Type: **Motor**

Shell Plating Material: **Blue Chromium**

Features

Product Type Features

Product Type	Connector
Connector System	Cable-to-Panel
Sealable	No
Circular Connector Type	Receptacle
Shell Type	Metal

Electrical Characteristics

Operating Voltage	160 VAC
-------------------	---------

Body Features

Environmental Protection	IP67
Shell Plating Material	Blue Chromium
Shell Base Material	Zinc Alloy
Circular Connector Insulation Material Type	PBT

Mechanical Attachment

Mating Retention Type	Speedtec (Triple Start Threaded)
-----------------------	----------------------------------



Panel Mount Feature Type	Flange with Mounting Holes
--------------------------	----------------------------

Connector Mounting Type	Motor
-------------------------	-------

Housing Features

Circular Connector Shell Size	23
-------------------------------	----

Alignment Keyed	0°
-----------------	----

Usage Conditions

Operating Temperature Range	-20 – 130 °C[-4 – 266 °F]
-----------------------------	---------------------------

Operation/Application

Durability Rating	500 Cycles
-------------------	------------

Circuit Application	Signal
---------------------	--------

Shielded	Yes
----------	-----

Industry Standards

UL Flammability Rating	UL 94V-0
------------------------	----------

Approved Standards	UL
--------------------	----

Product Compliance

[For compliance documentation, visit the product page on TE.com>](#)

EU RoHS Directive 2011/65/EU	Compliant with Exemptions
------------------------------	---------------------------

EU ELV Directive 2000/53/EC	Compliant with Exemptions
-----------------------------	---------------------------

China RoHS 2 Directive MIIT Order No 32, 2016	Restricted Materials Above Threshold
---	--------------------------------------

EU REACH Regulation (EC) No. 1907/2006	Current ECHA Candidate List: JUN 2020 (209) Candidate List Declared Against: JUN 2020 (209) SVHC > Threshold: Pb (3.5% in Component)
--	---

Article Safe Usage Statements:

Do not eat, drink or smoke when using this product. Wash thoroughly after handling. Recycle if possible and dispose of the article by following all applicable governmental regulations relevant to your geographic location.

Halogen Content	Not Yet Reviewed for halogen content
-----------------	--------------------------------------

Solder Process Capability	Not reviewed for solder process capability
---------------------------	--

Product Compliance Disclaimer

This information is provided based on reasonable inquiry of our suppliers and represents our current actual knowledge based on the information they provided. This information is subject to change. The part numbers that TE has identified as EU RoHS compliant have a maximum concentration of 0.1% by weight in homogenous materials for lead, hexavalent chromium, mercury, PBB, PBDE, DBP, BBP, DEHP, DIBP, and 0.01% for cadmium, or qualify for an exemption to these limits as defined in the Annexes of Directive 2011/65/EU (RoHS2). Finished electrical and electronic equipment products will be CE marked as required by Directive 2011/65/EU. Components may not be CE marked. Additionally, the part numbers that TE has identified as EU ELV compliant have a maximum concentration of 0.1% by weight in homogenous

materials for lead, hexavalent chromium, and mercury, and 0.01% for cadmium, or qualify for an exemption to these limits as defined in the Annexes of Directive 2000/53/EC (ELV). Regarding the REACH Regulation, the information TE provides on SVHC in articles for this part number is based on the latest European Chemicals Agency (ECHA) 'Guidance on requirements for substances in articles' posted at this URL: <https://echa.europa.eu/guidance-documents/guidance-on-reach>

Compatible Parts



TE Part # ASA012N00410235000
623 PLUG

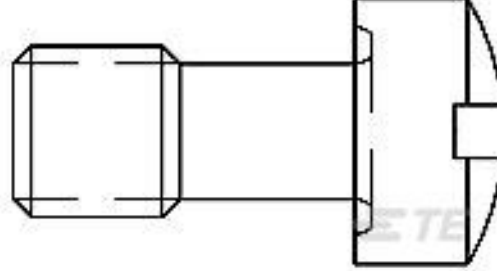
TE Part # C0-0235-000-000
DIGITAL CRIMPING TOOL, SMALL

TE Part # C0-0101-000-000
CRIMPING TOOL SMALL WITH POSITIONER

Customers Also Bought



TE Part #1103428-1
MALE INSERT CRIMP, 8-POS. TYPE III+



TE Part #5747971-3
MOUNTING SCREW, ZN PLTD



TE Part #3-644042-5
05P MTA100 CONN ASSY LF



TE Part #292171-2
CT Post Header Assembly: Part. Shrouded



TE Part #CSA264N00250001000
940 PLUG



TE Part #ASA012N00620235000
623 PLUG



TE Part #BGC110N00001200000
923 RECEPTACLE, ANGLED, ROTATABLE



TE Part #1103427-1
HC26.Bu.4.C.4,4



TE Part #1103426-1
MALE INSERT, CRIMP, 4-POS. 22DF CONTACTS



TE Part #1103436-1
HC26.Base Housing-metal

Documents

[CAD Files](#)

[3D PDF](#)



3D

Customer View Model

[ENG_CVM_CVM_AGC175N00001200000_A.2d_dxf.zip](#)

English

Customer View Model

[ENG_CVM_CVM_AGC175N00001200000_A.3d_igs.zip](#)

English

Customer View Model

[ENG_CVM_CVM_AGC175N00001200000_A.3d_stp.zip](#)

English

By downloading the CAD file I accept and agree to the [Terms and Conditions](#) of use.

Datasheets & Catalog Pages

[AGC175N00001200000](#)

English

Instruction Sheets

[Instruction Sheet \(non U.S.\)](#)

English