



TE Internal #: AGC110N00001215000

Standard Circular Connectors, Cable-to-Panel, Signal, Motor, Blue Chromium, Zinc Alloy, PBT, 23 Shell Size, Shielded, Receptacle, 0° Alignment Keyed

[View on TE.com >](#)

Connectors > Circular Connectors > Standard Circular Connectors



Connector System: **Cable-to-Panel**

Sealable: **No**

Circuit Application: **Signal**

Connector Mounting Type: **Motor**

Shell Plating Material: **Blue Chromium**

## Features

### Product Type Features

Product Type	Connector
Connector System	Cable-to-Panel
Sealable	No
Circular Connector Type	Receptacle
Shell Type	Metal

### Electrical Characteristics

Operating Voltage	160 VAC
-------------------	---------

### Body Features

Environmental Protection	IP67
Shell Plating Material	Blue Chromium
Shell Base Material	Zinc Alloy
Circular Connector Insulation Material Type	PBT

### Mechanical Attachment

Mating Retention Type	Speedtec (Triple Start Threaded)
-----------------------	----------------------------------



Panel Mount Feature Type	Flange with Mounting Holes
Connector Mounting Type	Motor

**Housing Features**

Circular Connector Shell Size	23
Alignment Keyed	0°

**Usage Conditions**

Operating Temperature Range	-20 – 130 °C[-4 – 266 °F]
-----------------------------	---------------------------

**Operation/Application**

Durability Rating	500 Cycles
Circuit Application	Signal
Shielded	Yes

**Industry Standards**

UL Flammability Rating	UL 94V-0
Approved Standards	UL

**Product Compliance**

[For compliance documentation, visit the product page on TE.com>](#)

EU RoHS Directive 2011/65/EU	Compliant with Exemptions
EU ELV Directive 2000/53/EC	Compliant with Exemptions
China RoHS 2 Directive MIIT Order No 32, 2016	Restricted Materials Above Threshold
EU REACH Regulation (EC) No. 1907/2006	Current ECHA Candidate List: JUN 2020 (209) Candidate List Declared Against: JUN 2020 (209) SVHC > Threshold: Pb (3.5% in Component) <b>Article Safe Usage Statements:</b> Do not eat, drink or smoke when using this product. Wash thoroughly after handling. Recycle if possible and dispose of the article by following all applicable governmental regulations relevant to your geographic location.
Halogen Content	Not Yet Reviewed for halogen content
Solder Process Capability	Not reviewed for solder process capability

Product Compliance Disclaimer

This information is provided based on reasonable inquiry of our suppliers and represents our current actual knowledge based on the information they provided. This information is subject to change. The part numbers that TE has identified as EU RoHS compliant have a maximum concentration of 0.1% by weight in homogenous materials for lead, hexavalent chromium, mercury, PBB, PBDE, DBP, BBP, DEHP, DIBP, and 0.01% for cadmium, or qualify for an exemption to these limits as defined in the Annexes of Directive 2011/65/EU (RoHS2). Finished electrical and electronic equipment products will be CE marked as required by Directive 2011/65/EU. Components may not be CE marked. Additionally, the part numbers that TE has identified as EU ELV compliant have a maximum concentration of 0.1% by weight in homogenous

materials for lead, hexavalent chromium, and mercury, and 0.01% for cadmium, or qualify for an exemption to these limits as defined in the Annexes of Directive 2000/53/EC (ELV). Regarding the REACH Regulation, the information TE provides on SVHC in articles for this part number is based on the latest European Chemicals Agency (ECHA) 'Guidance on requirements for substances in articles' posted at this URL: <https://echa.europa.eu/guidance-documents/guidance-on-reach>

## Compatible Parts



TE Part # ASA013N00400235000  
623 PLUG



TE Part # ASA013N00600235000  
623 PLUG



TE Part # ASA013N00410235000  
623 PLUG



TE Part # ASA013N00610235000  
623 PLUG



TE Part # ASA013N00390235000  
623 PLUG



TE Part # ASA013N00730235000  
623 PLUG




TE Part # ASA013N00900235000  
623 PLUG


TE Part # C0-0235-000-000  
DIGITAL CRIMPING TOOL, SMALL

TE Part # C0-0101-000-000  
CRIMPING TOOL SMALL WITH POSITIONER

## Customers Also Bought



TE Part #53891-1  
SPLICE, CE 18-6



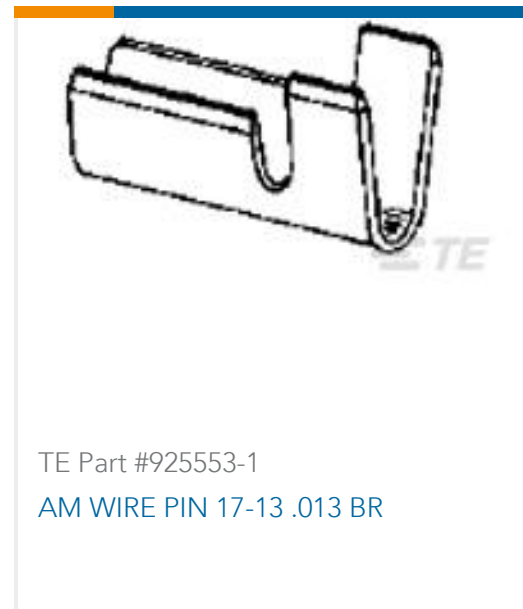
TE Part #726343-1  
SO-RINGZUNGE D46234



TE Part #927827-1  
TIMER, RECEPTACLE AND TAB



TE Part #AGC113N00001215000  
623 RECEPTACLE ANGLED ROTATABLE



## Documents

### CAD Files

3D PDF

3D

Customer View Model

[ENG\\_CVM\\_CVM\\_AGC110N00001215000\\_A.2d\\_dxf.zip](#)

English

Customer View Model

[ENG\\_CVM\\_CVM\\_AGC110N00001215000\\_A.3d\\_igs.zip](#)

English

Customer View Model

[ENG\\_CVM\\_CVM\\_AGC110N00001215000\\_A.3d\\_stp.zip](#)

English

By downloading the CAD file I accept and agree to the [Terms and Conditions](#) of use.

### Datasheets & Catalog Pages

[AGC110N00001215000](#)

English

### Instruction Sheets

[Instruction Sheet \(non U.S.\)](#)

English