

BSTA085NN00480235000 ✓ ACTIVE

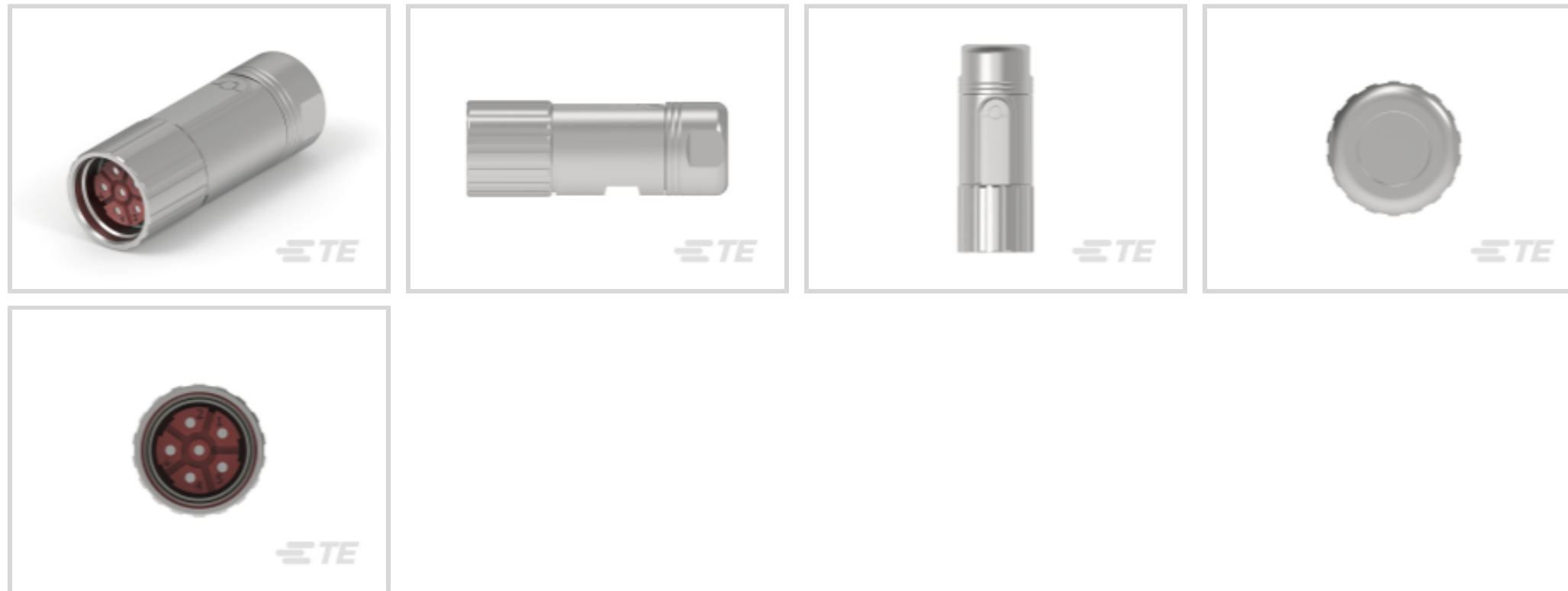
TE Internal #: BSA085N00480235000

Standard Circular Connectors, Cable-to-Cable, Power, Cable Mount (Free-Hanging), Electrodeposited Nickel, Zinc Alloy, PBT GF, 23 Shell Size, Shielded

[View on TE.com >](#)



Connectors > Circular Connectors > Standard Circular Connectors



Connector System: **Cable-to-Cable**

Sealable: **No**

Circuit Application: **Power**

Connector Mounting Type: **Cable Mount (Free-Hanging)**

Shell Plating Material: **Electrodeposited Nickel**

Features

Product Type Features

Product Type	Connector
Connector System	Cable-to-Cable
Sealable	No
Circular Connector Type	Plug
Shell Type	Metal

Electrical Characteristics

Operating Voltage	630 VAC
-------------------	---------

Body Features

Environmental Protection	IP67
Shell Plating Material	Electrodeposited Nickel
Shell Base Material	Zinc Alloy
Circular Connector Insulation Material Type	PBT GF

Mechanical Attachment

Mating Retention Type	Screw
-----------------------	-------



Connector Mounting Type

Cable Mount (Free-Hanging)

Housing Features

Circular Connector Shell Size

23

Alignment Keyed

0°

Dimensions

Cable Diameter Range

7.5 – 12 mm [.29 – .47 in]

Usage Conditions

Operating Temperature Range

-20 – 130 °C [-4 – 266 °F]

Operation/Application

Durability Rating

500 Cycles

Circuit Application

Power

Shielded

Yes

Industry Standards

UL Flammability Rating

UL 94V-0

Approved Standards

UL

Product Compliance

[For compliance documentation, visit the product page on TE.com>](#)

EU RoHS Directive 2011/65/EU

Compliant with Exemptions

EU ELV Directive 2000/53/EC

Not Yet Reviewed

China RoHS 2 Directive MIIT Order No 32, 2016

Restricted Materials Above Threshold

EU REACH Regulation (EC) No. 1907/2006

Current ECHA Candidate List: JUN 2020
(209)
Candidate List Declared Against: JUN 2020
(209)
SVHC > Threshold:
Pb (3.5% in Component)

Article Safe Usage Statements:

Do not eat, drink or smoke when using this product. Wash thoroughly after handling. Recycle if possible and dispose of the article by following all applicable governmental regulations relevant to your geographic location.

Halogen Content

Not Yet Reviewed for halogen content

Solder Process Capability

Not reviewed for solder process capability

Product Compliance Disclaimer

This information is provided based on reasonable inquiry of our suppliers and represents our current actual knowledge based on the information they provided. This information is subject to change. The part numbers that TE has identified as EU RoHS compliant have a maximum concentration of 0.1% by weight in homogenous materials for lead, hexavalent chromium, mercury, PBB, PBDE, DBP, BBP, DEHP, DIBP, and 0.01% for cadmium, or qualify for an exemption to these

limits as defined in the Annexes of Directive 2011/65/EU (RoHS2). Finished electrical and electronic equipment products will be CE marked as required by Directive 2011/65/EU. Components may not be CE marked. Additionally, the part numbers that TE has identified as EU ELV compliant have a maximum concentration of 0.1% by weight in homogenous materials for lead, hexavalent chromium, and mercury, and 0.01% for cadmium, or qualify for an exemption to these limits as defined in the Annexes of Directive 2000/53/EC (ELV). Regarding the REACH Regulation, the information TE provides on SVHC in articles for this part number is based on the latest European Chemicals Agency (ECHA) 'Guidance on requirements for substances in articles' posted at this URL: <https://echa.europa.eu/guidance-documents/guidance-on-reach>

Compatible Parts



TE Part # BKA186N00480200000
923 EXTENSION, SPEEDTEC-READY



TE Part # BGC106N00001216000
923 RECEPTACLE, ANGLED, ROTATABLE



TE Part # BGC106N00001215000
923 RECEPTACLE, ANGLED, ROTATABLE



TE Part # BEA088N00000222000
923 RECEPTACLE, SPEEDTEC-READY



TE Part # BGC106N00001200000
923 RECEPTACLE, ANGLED, ROTATABLE



TE Part # BEA116N00000200000
923 RECEPTACLE, SPEEDTEC-READY



TE Part # BEA127N00000205000
923 RECEPTACLE, SPEEDTEC-READY



TE Part # BFC106N00000207000
923 RECEPTACLE, ANGLED

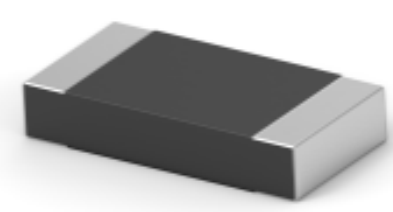
TE Part # BFC106N00000229000
923 RECEPTACLE, ANGLED

TE Part # C0-0236-000-000
DIGITAL CRIMPING TOOL, MID SIZE

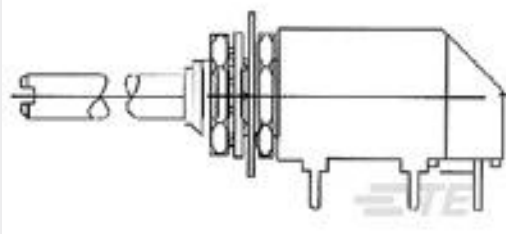
TE Part # C0-0201-000-000
CRIMPING TOOL MID-SIZE

TE Part # C0-0004-000-000
POSITIONING INSERT FOR 2 MM CONTACTS

Customers Also Bought



TE Part #1-1625826-1
Metal Chip Resistor: Current Sense



TE Part #4-1825033-1
DRS1004=Rot Dip,w/Shaft



TE Part #2-1676915-4
YR1 0.1% 82R5



TE Part #1-1879026-5
YR1 0.1% 143R



Documents

Product Drawings

[923 PLUG](#)

English

CAD Files

[3D PDF](#)

3D

Customer View Model

[ENG_CVM_CVM_BSA085N00480235000_A.2d_dxf.zip](#)

English

Customer View Model

[ENG_CVM_CVM_BSA085N00480235000_A.3d_igs.zip](#)

English

Customer View Model

[ENG_CVM_CVM_BSA085N00480235000_A.3d_stp.zip](#)

English

By downloading the CAD file I accept and agree to the [Terms and Conditions](#) of use.

Datasheets & Catalog Pages

[BSA085N00480235000](#)

English

Instruction Sheets

[Instruction Sheet \(non U.S.\)](#)

English