

|                       |   |  |
|-----------------------|---|--|
| <b>Type:</b>          | 2032 ws, 2032 sw  |  |
| <b>Description:</b>   | Rewirable plug with protective contact, center-straight-entry, DIN 49441-R1 CEE7/IV |  |
| <b>APSA-EDV-Code:</b> | A2032 ws: A2032.0000.01.000<br>A2032 sw: A2032.0000.02.000                          |  |
| <b>EAN-Code:</b>      | A2032 ws: 4000993120323<br>A2032 sw: 4000993220320                                  |  |

**Rated voltage, Rated current, IP-code**

250V<sub>AC</sub>, 16A, IP20

**Number of poles**

2P + PE (R1 earthing contact system)

**Kind of construction**

DIN 49441-R1, CEE7/IV

**Terminals**

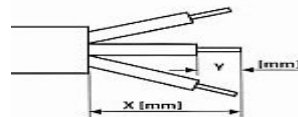
nominal cross-sectional areas of conductors: 0,75 up to 2,5mm<sup>2</sup>  
Terminals: screw-type

**Cord**

max. diameter: 8,5mm, limited by the protective sleeve aperture

**Stripping**

2P: X=40mm, PE: X=45mm, conductor for clamp: Y=7mm



**Protective sleeve**

unaffected, natural Ø6.5  
extendable to Ø8.5  
removable

**Cord anchorage**

Material: polypropylene (PP)

**Enclosure**

Material: polypropylene (PP)

**Contacts**

2P-pins: brass, nickel-plated  
PE protective contact: brass, natural, not plated

**Screws plating**

|               |               |
|---------------|---------------|
| 2P + PE       | nickel-plated |
| Fixing screws | zinc-plated   |

**Colors**

|          |                 |
|----------|-----------------|
| 2029 ws: | Enclosure white |
| 2029 sw  | black           |

**Marks Licence**

VDE by VDE Testing and Certification Institute according to DIN VDE 0620-1 (VDE 0620-1):2005-04

**EC Declaration of Conformity**

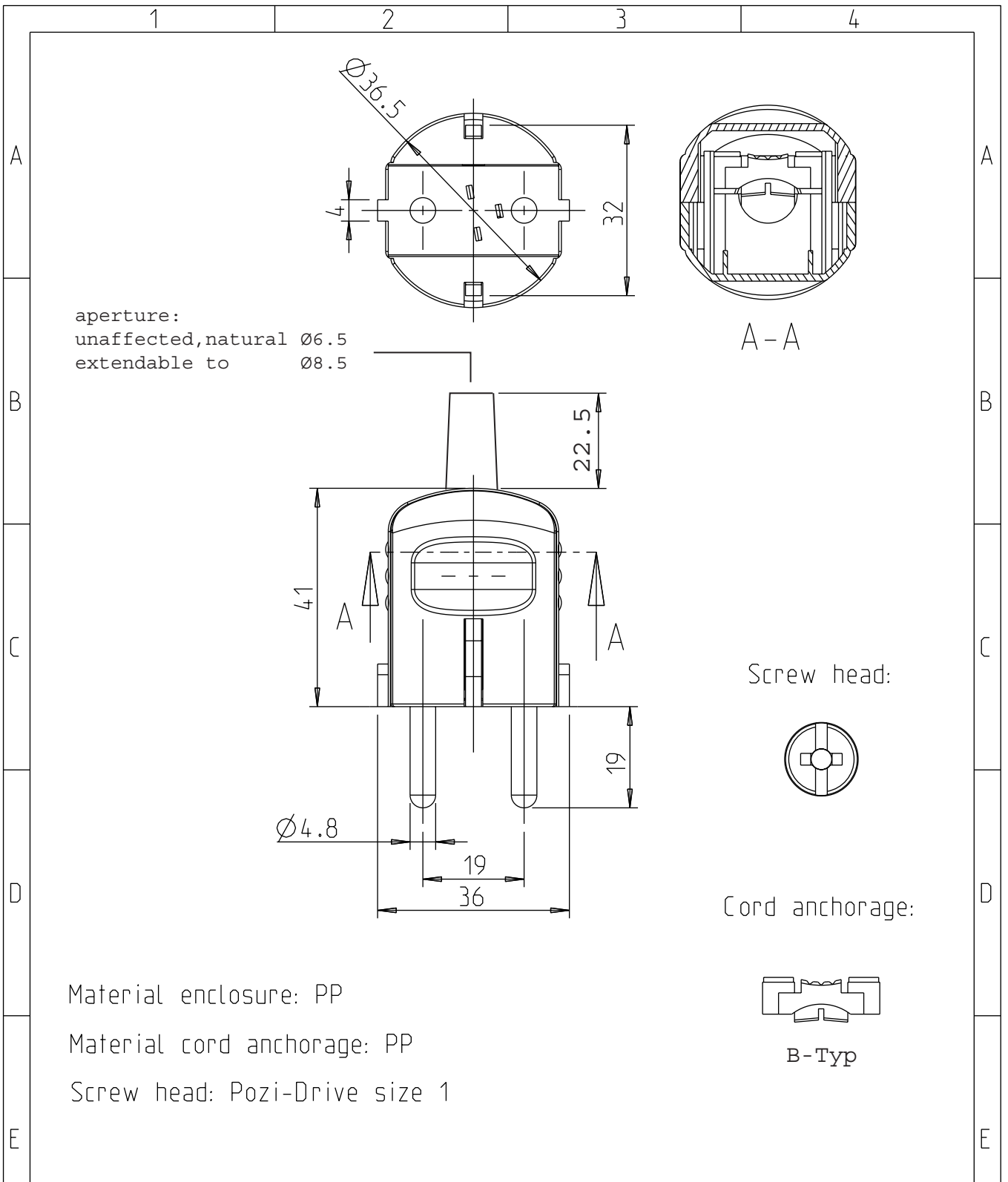
73/23/EEC including amendments

**ROHS Declaration of Conformity**

2002/95/EC

**doc\_info**

|                |                             |
|----------------|-----------------------------|
| file:          | APSA_DATASHEET_2032_B_1.pdf |
| date of issue: | 2006-05-04                  |
| valid from:    | 2006-05-04                  |



|  |          |       |                  |          |  |
|--|----------|-------|------------------|----------|--|
| Dateiname des Zeichnungsobjektes:<br>APSA_2032_BG_PLUG_M_TÜ_00_B |          |       |                  |          |  |
|  |          |       |                  |          |  |
|  |          |       | Datum            | Name     | Rewirable plug with protective contact<br>center-straight-entry<br>DIN49441-R1 CEE7/IV<br>Type: 2032 |
|  |          |       | Bear. 05.02.2008 | pu       |  |
|  |          |       | Gepr.            |          |  |
|  |          |       | Norm             |          |  |
|  |          |       | <b>APSA</b>      |          | APSA_DATASHEET_2032_B.pdf 2/2  |
| Zust.  | Änderung | Datum | Nam              | (Urspr.) | (Ers.f.:) (Ers.d.:)  |