



Terminals & Splices > Splices



Splice Product Type: **Splice**

Terminal & Splice Type: **Splice**

Wire Size: **.15 – .61 mm²**

Sealable: **Yes**

Features

Product Type Features

Discrete Wire Type	Stranded
Splice Product Type	Splice
Sealable	Yes
Splice Type	Cold Crimp Splice
Serrated	Yes
Splice Accessory Type	Splice
Splice Barrel Type	Closed Barrel
Splice Wire/Cable Type	Insulated Wire
Insulated	Yes
Support Style	Non-Insulation Support

Configuration Features

Number of Serrations	4
----------------------	---

Body Features

Insulation Sleeve Material	Polyvinylidene Fluoride
End Cap Material	Thermoplastic
Insulation Material	Heat Shrink Radiation-Crosslinked Polyvinylidene Fluoride
Plating Material	Tin
End Cap Color	Red
Weight per Piece	.85 g



Splice Features	Splice Kit
-----------------	------------

Splice Material	Tin-Plated Copper
-----------------	-------------------

Contact Features

Terminal & Splice Type	Splice
------------------------	--------

Termination Features

Termination Method	Crimp
--------------------	-------

Dimensions

Inside Diameter (Recovered)	2.9 mm
-----------------------------	--------

Wire Size	304 – 1216 CMA
-----------	----------------

Barrel Inside Diameter	1.09 mm [.043 in]
------------------------	-------------------

Splice Overall Length	38.1 mm [1.5 in]
-----------------------	------------------

Usage Conditions

Insulation Requirement	Fully Insulated
------------------------	-----------------

Cable Temperature Rating	105 °C
--------------------------	--------

Fluid Resistance	Immersion
------------------	-----------

Operating Temperature Range	-65 – 150 °C [-85 – 302 °F]
-----------------------------	-----------------------------

Operation/Application

Heavy Duty	No
------------	----

Industry Standards

Government Qualified Splice	Yes
-----------------------------	-----

Packaging Features

Packaging Quantity	100
--------------------	-----

Splice Packaging Method	Bag/Box
-------------------------	---------

Other

Barrel Color	Clear
--------------	-------

Product Compliance

[For compliance documentation, visit the product page on TE.com>](#)

EU RoHS Directive 2011/65/EU	Compliant
------------------------------	-----------

EU ELV Directive 2000/53/EC	Compliant
-----------------------------	-----------

China RoHS 2 Directive MIIT Order No 32, 2016	No Restricted Materials Above Threshold
---	---

EU REACH Regulation (EC) No. 1907/2006	
--	--



Current ECHA Candidate List: JUN 2020 (209)
 Candidate List Declared Against: JUN 2020 (209)
 Does not contain REACH SVHC

Halogen Content
 BFR/CFR/PVC Free, but Br/Cl >900 ppm in other sources.

Solder Process Capability
 Not applicable for solder process capability

Product Compliance Disclaimer

This information is provided based on reasonable inquiry of our suppliers and represents our current actual knowledge based on the information they provided. This information is subject to change. The part numbers that TE has identified as EU RoHS compliant have a maximum concentration of 0.1% by weight in homogenous materials for lead, hexavalent chromium, mercury, PBB, PBDE, DBP, BBP, DEHP, DIBP, and 0.01% for cadmium, or qualify for an exemption to these limits as defined in the Annexes of Directive 2011/65/EU (RoHS2). Finished electrical and electronic equipment products will be CE marked as required by Directive 2011/65/EU. Components may not be CE marked. Additionally, the part numbers that TE has identified as EU ELV compliant have a maximum concentration of 0.1% by weight in homogenous materials for lead, hexavalent chromium, and mercury, and 0.01% for cadmium, or qualify for an exemption to these limits as defined in the Annexes of Directive 2000/53/EC (ELV). Regarding the REACH Regulation, the information TE provides on SVHC in articles for this part number is based on the latest European Chemicals Agency (ECHA) 'Guidance on requirements for substances in articles' posted at this URL: <https://echa.europa.eu/guidance-documents/guidance-on-reach>

Compatible Parts



TE Part # 992008-000
 AD-1377-CRIMP-TOOL-3-CVTY

Customers Also Bought



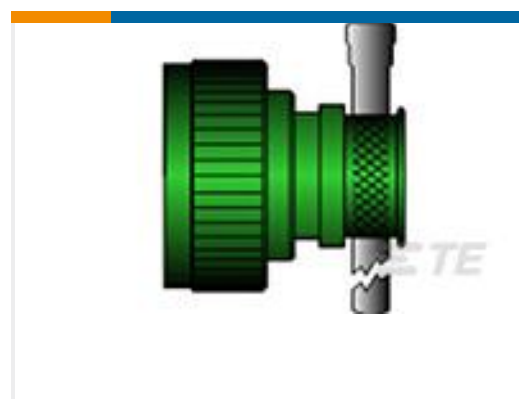
TE Part #1-747947-7
 IDC D-Sub: Receptacle Kit, Wire to Wire, Signal, 2.74 mm



TE Part #1-747944-6
 IDC D-Sub: Connector Kit, Plug, Wire to Wire, Signal, 2.77 mm



TE Part #CS1660-000
 AD-1381-CRIMP-TOOL-3-CVTY



TE Part #CW4371-000
 R85049/88-15N03



TE Part #CN1022-000
D-436-38-COLD



TE Part #CN1021-000
D-436-37-COLD



TE Part #CW2905-000
R85049/88-23W03



TE Part #8-36152-1
PIDG RING TONGUE TERMINALS



TE Part #770253-4
UMNL II SOK SNAUNIPHBZ LP24-18



TE Part #642281-000
55A4822-22-9/96-9CS2275

Documents

Product Drawings

[D-436-36-COLD](#)

English

Datasheets & Catalog Pages

[1654025_Sec8_ColdAppliedSplices](#)

English

[1654025_Sec8_D-436](#)

English

[Harness Repair Products Quick Reference Guide](#)

English

Product Specifications

[Installation Procedure for In-Line Cold Applied Splice, Series D-436-3X-COLD](#)

English