

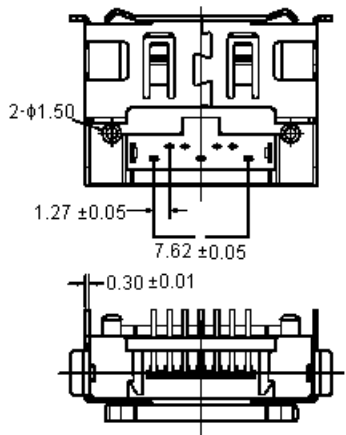
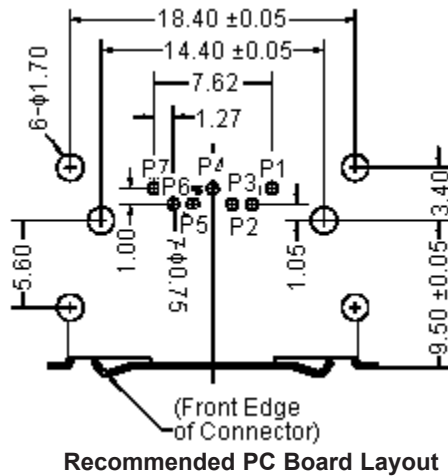
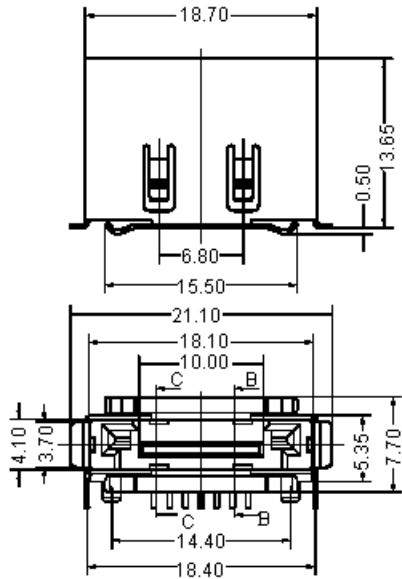


PART NO.

6SAL07MP-328B

REVISIONS

| ECN # | REV | DESCRIPTION | DRAWN | DATE | CHECKD | DATE | APPRVD | DATE |
|-------|-----|-------------|---------|---------|--------|---------|--------|---------|
| - | A | RELEASED | Shalini | 14/4/08 | Suresh | 14/4/08 | G. C | 28/4/08 |



Dimensions : Millimetres

Specifications:

Material:

- Housing : High temperature thermoplastic.
- Contact : Brass, gold plating over nickel on contact area, tin plating on solder area.
- Shell : Brass, nickel plated.

Mechanical:

- Maximum Insertion force : 4,5Kgf.
- Minimum Withdrawal Force : 1Kgf.
- Durability : 2500 cycles.

Electrical Specification:

- Maximum Operation voltage : 100V ac.
- Current rating : 1.5A per contact.
- Maximum Contact resistance : 45m ohm after physical and environmental testing.
- Minimum Insulation resistance : 1000m ohm.
- Dielectric with standing Voltage : 500V ac.

Environmental:

- Operation temperature : - 25°C to + 85°C.

This data sheet and its contents (the "Information") belong to the Premier Farnell Group (the "Group") or are licensed to it. No licence is granted for the use of it other than for information purposes in connection with the products to which it relates. No licence of any intellectual property rights is granted. The Information is subject to change without notice and replaces all data sheets previously supplied. The Information supplied is believed to be accurate but the Group assumes no responsibility for its accuracy or completeness, any error in or omission from it or for any use made of it. Users of this data sheet should check for themselves the Information and the suitability of the products for their purpose and not make any assumptions based on information included or omitted. Liability for loss or damage resulting from any reliance on the Information or use of it (including liability resulting from negligence or where the Group was aware of the possibility of such loss or damage arising) is excluded. This will not operate to limit or restrict the Group's liability for death or personal injury resulting from its negligence. SPC MULTICOMP is the registered trademark of the Group. © Premier Farnell plc 2008.

TOLERANCES:

UNLESS OTHERWISE SPECIFIED, DIMENSIONS ARE FOR REFERENCE PURPOSES ONLY.

| | |
|--------------|----------|
| DRAWN BY: | DATE: |
| Shalini | 14/04/08 |
| CHECKED BY: | DATE: |
| Suresh | 14/04/08 |
| APPROVED BY: | DATE: |
| G.Cook | 28/04/08 |

DRAWING TITLE:

E-SATA PLUG - R/A DIP

| | | | |
|------------|------------|-----------------|-----|
| SIZE | DWG NO. | ELECTRONIC FILE | REV |
| A | M10000859 | 1428277_DWG | A |
| SCALE: NTS | U.O.M.: mm | SHEET: 1 OF 3 | |

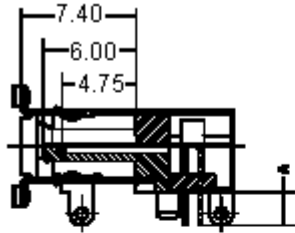


PART NO.

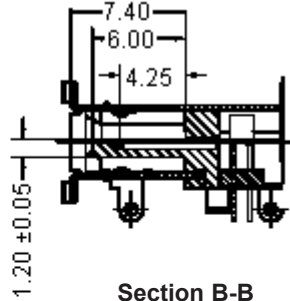
6SAL07MP-328B

REVISIONS

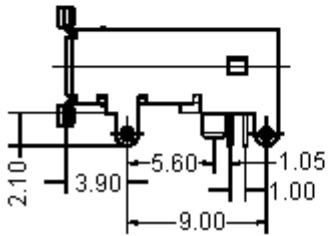
| ECN # | REV | DESCRIPTION | DRAWN | DATE | CHECKD | DATE | APPRVD | DATE |
|-------|-----|-------------|---------|---------|--------|---------|--------|---------|
| - | A | RELEASED | Shalini | 14/4/08 | Suresh | 14/4/08 | G. C | 28/4/08 |



Section A-A



Section B-B



Dimensions : Millimetres

Part Number Table

| Description | Part Number |
|---------------------|---------------|
| E-SATA PLUG R/A DIP | 6SAL07MP-328B |

This data sheet and its contents (the "Information") belong to the Premier Farnell Group (the "Group") or are licensed to it. No licence is granted for the use of it other than for information purposes in connection with the products to which it relates. No licence of any intellectual property rights is granted. The Information is subject to change without notice and replaces all data sheets previously supplied. The Information supplied is believed to be accurate but the Group assumes no responsibility for its accuracy or completeness, any error in or omission from it or for any use made of it. Users of this data sheet should check for themselves the Information and the suitability of the products for their purpose and not make any assumptions based on information included or omitted. Liability for loss or damage resulting from any reliance on the Information or use of it (including liability resulting from negligence or where the Group was aware of the possibility of such loss or damage arising) is excluded. This will not operate to limit or restrict the Group's liability for death or personal injury resulting from its negligence. SPC MULTICOMP is the registered trademark of the Group. © Premier Farnell plc 2008.

TOLERANCES:
UNLESS OTHERWISE SPECIFIED, DIMENSIONS ARE FOR REFERENCE PURPOSES ONLY.

| | |
|---------------------|--------------|
| DRAWN BY: | DATE: |
| Shalini | 14/04/08 |
| CHECKED BY: | DATE: |
| Suresh | 14/04/08 |
| APPROVED BY: | DATE: |
| G.Cook | 28/04/08 |

DRAWING TITLE:

E-SATA PLUG - R/A DIP

| | | | |
|-------------------|-----------------------------|---------------------------------------|----------------------|
| SIZE A | DWG NO. M10000859 | ELECTRONIC FILE 1428277_DWG | REV A |
| SCALE: NTS | | U.O.M.: mm | SHEET: 2 OF 3 |



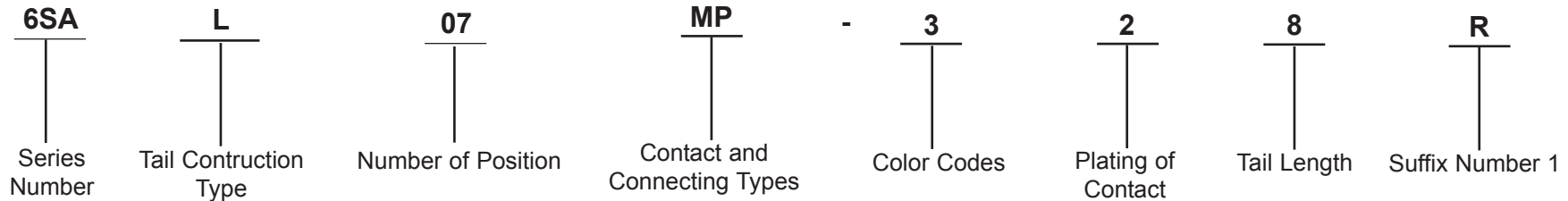
PART NO.

6SAL07MP-328B

REVISIONS

| ECN # | REV | DESCRIPTION | DRAWN | DATE | CHECKD | DATE | APPRVD | DATE |
|-------|-----|-------------|---------|---------|--------|---------|--------|---------|
| - | A | RELEASED | Shalini | 14/4/08 | Suresh | 14/4/08 | G. C | 28/4/08 |

Part Number Explanation:



- Series Number** : 6SA = External serial ata connector.
- Tail Construction Type** : L = R/A SMT type.
- Number of Position** : 07 = 7 Positions.
- Contact and Connecting Types** : MP = Plug, metal shell type.
- Color Codes** : 3 = Black.
- Plating of Contact** : 2 = 15µ" gold over nickel.
- Tail Length** : 8 = Solder tail length A = 2.1mm.
- Suffix Number 1** : B = Without logo.

<http://www.farnell.com>
<http://www.newark.com>
<http://www.cpc.co.uk>

This data sheet and its contents (the "Information") belong to the Premier Farnell Group (the "Group") or are licensed to it. No licence is granted for the use of it other than for information purposes in connection with the products to which it relates. No licence of any intellectual property rights is granted. The Information is subject to change without notice and replaces all data sheets previously supplied. The Information supplied is believed to be accurate but the Group assumes no responsibility for its accuracy or completeness, any error in or omission from it or for any use made of it. Users of this data sheet should check for themselves the Information and the suitability of the products for their purpose and not make any assumptions based on information included or omitted. Liability for loss or damage resulting from any reliance on the Information or use of it (including liability resulting from negligence or where the Group was aware of the possibility of such loss or damage arising) is excluded. This will not operate to limit or restrict the Group's liability for death or personal injury resulting from its negligence. SPC MULTICOMP is the registered trademark of the Group. © Premier Farnell plc 2008.

**TOLERANCES:
UNLESS OTHERWISE
SPECIFIED,
DIMENSIONS ARE
FOR REFERENCE
PURPOSES ONLY.**

| | |
|---------------------|--------------|
| DRAWN BY: | DATE: |
| Shalini | 14/04/08 |
| CHECKED BY: | DATE: |
| Suresh | 14/04/08 |
| APPROVED BY: | DATE: |
| G.Cook | 28/04/08 |

| | | | |
|------------------------------|------------------|------------------------|----------------------|
| DRAWING TITLE: | | | |
| E-SATA PLUG - R/A DIP | | | |
| SIZE | DWG NO. | ELECTRONIC FILE | REV |
| A | M10000859 | 1428277_DWG | A |
| SCALE: NTS | | U.O.M.: mm | SHEET: 3 OF 3 |