

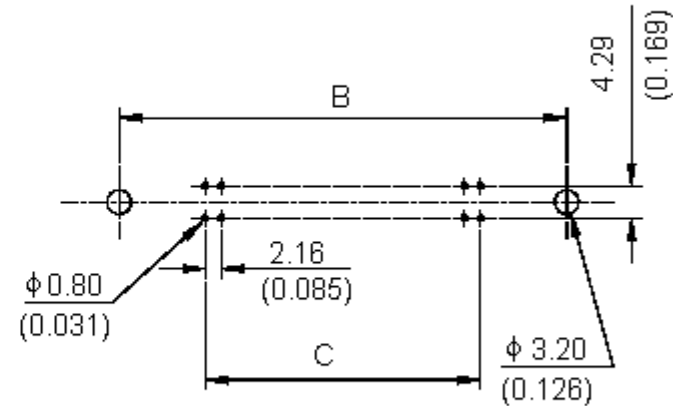
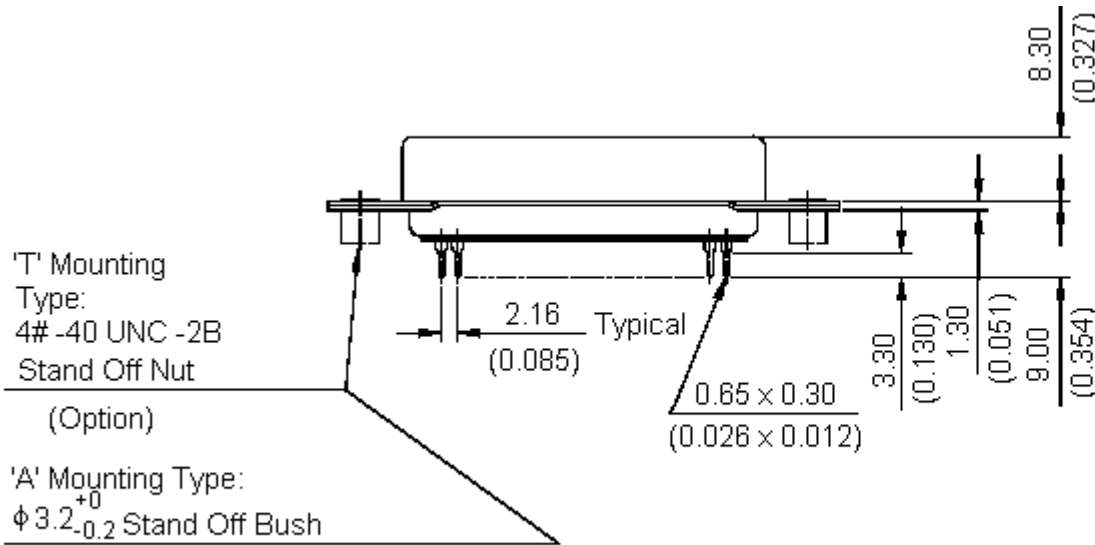
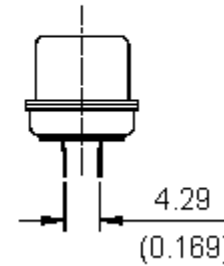
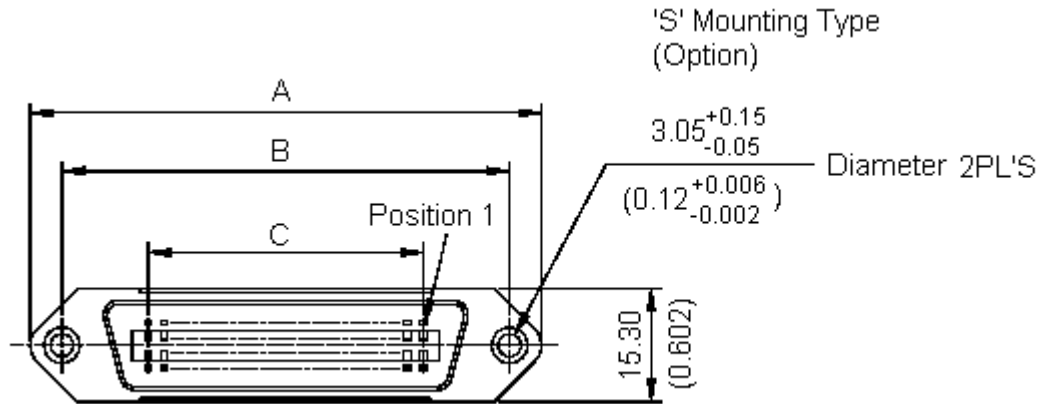


PART NO.

285043

REVISIONS

ECN #	REV	DESCRIPTION	DRAWN	DATE	CHECKD	DATE	APPRVD	DATE
-	A	RELEASED	Venkat	05/4/08	Suresh	05/4/08	G. C	21/4/08



Dimensions : Millimetres (Inches)

This data sheet and its contents (the "Information") belong to the Premier Farnell Group (the "Group") or are licensed to it. No licence is granted for the use of it other than for information purposes in connection with the products to which it relates. No licence of any intellectual property rights is granted. The Information is subject to change without notice and replaces all data sheets previously supplied. The Information supplied is believed to be accurate but the Group assumes no responsibility for its accuracy or completeness, any error in or omission from it or for any use made of it. Users of this data sheet should check for themselves the Information and the suitability of the products for their purpose and not make any assumptions based on information included or omitted. Liability for loss or damage resulting from any reliance on the Information or use of it (including liability resulting from negligence or where the Group was aware of the possibility of such loss or damage arising) is excluded. This will not operate to limit or restrict the Group's liability for death or personal injury resulting from its negligence. SPC MULTICOMP is the registered trademark of the Group. © Premier Farnell plc 2008.

TOLERANCES:

UNLESS OTHERWISE SPECIFIED, DIMENSIONS ARE FOR REFERENCE PURPOSES ONLY.

DRAWN BY:

Venkat

DATE:

05/04/08

CHECKED BY:

Suresh

DATE:

05/04/08

APPROVED BY:

G.Cook

DATE:

21/04/08

DRAWING TITLE:

Centronic PCB Socket - 50 Way

SIZE
A

DWG NO.

M10000853

ELECTRONIC FILE
1099014_DWG

REV
A

SCALE: NTS

U.O.M.: mm (inches)

SHEET: 1 OF 2



PART NO.

285043

REVISIONS

ECN #	REV	DESCRIPTION	DRAWN	DATE	CHECKD	DATE	APPRVD	DATE
-	A	RELEASED	Venkat	05/4/08	Suresh	05/4/08	G. C	21/4/08

Specifications:

Current rating : 3A.
 Minimum Insulation resistance : 1000MΩ at (500V dc).
 Dielectric withstanding voltage : 1200V, at sea level.
 Maximum Contact resistance : 25mΩ.
 Operating temperature : - 55 to 105°C.
 Insulator : PBT and glass-fiber reinforced.
 Contact : Phospor bronze, gold plated over nickel (entire contact) on the contact area, tin/lead plated on the soldertail section.
 Steel : Steel, nickel plated.

Specification Table

Number of Positions	A ±0.36 (0.014)	B ±0.13 (0.005)	C ±0.13 (0.005)	Part Number
50	82.90 (3.264)	74.85 (2.947)	51.84 (2.041)	285043

Dimensions : Millimetres (Inches)

<http://www.farnell.com>

<http://www.newark.com>

<http://www.cpc.co.uk>

This data sheet and its contents (the "Information") belong to the Premier Farnell Group (the "Group") or are licensed to it. No licence is granted for the use of it other than for information purposes in connection with the products to which it relates. No licence of any intellectual property rights is granted. The Information is subject to change without notice and replaces all data sheets previously supplied. The Information supplied is believed to be accurate but the Group assumes no responsibility for its accuracy or completeness, any error in or omission from it or for any use made of it. Users of this data sheet should check for themselves the Information and the suitability of the products for their purpose and not make any assumptions based on information included or omitted. Liability for loss or damage resulting from any reliance on the Information or use of it (including liability resulting from negligence or where the Group was aware of the possibility of such loss or damage arising) is excluded. This will not operate to limit or restrict the Group's liability for death or personal injury resulting from its negligence. SPC MULTICOMP is the registered trademark of the Group. © Premier Farnell plc 2008.

**TOLERANCES:
UNLESS OTHERWISE SPECIFIED, DIMENSIONS ARE FOR REFERENCE PURPOSES ONLY.**

DRAWN BY:	DATE:
Venkat	05/04/08
CHECKED BY:	DATE:
Suresh	05/04/08
APPROVED BY:	DATE:
G.Cook	21/04/08

DRAWING TITLE:			
Centronic PCB Socket - 50 Way			
SIZE	DWG NO.	ELECTRONIC FILE	REV
A	M10000853	1099014_DWG	A
SCALE: NTS		U.O.M.: mm (inches)	SHEET: 2 OF 2