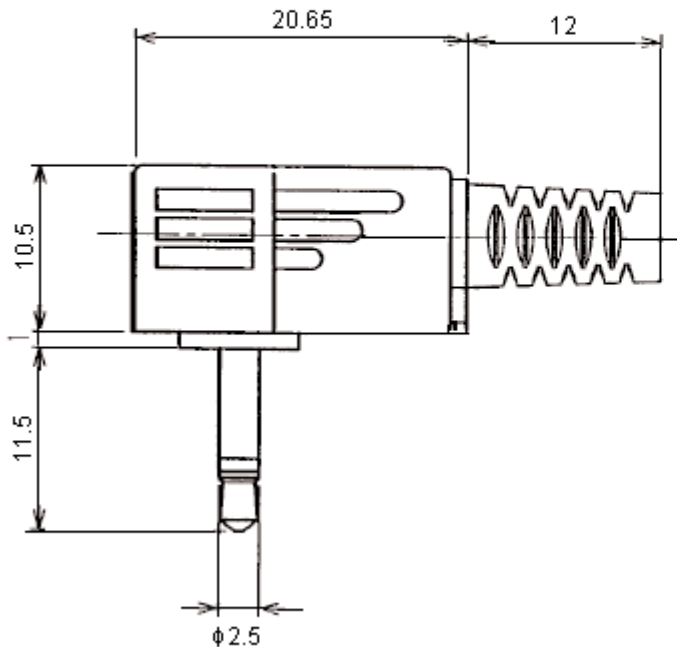
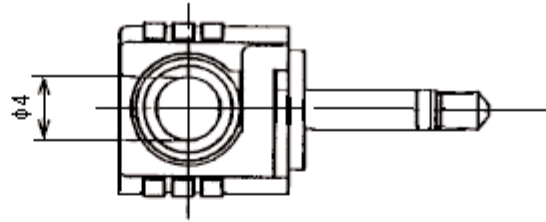


PART NO.

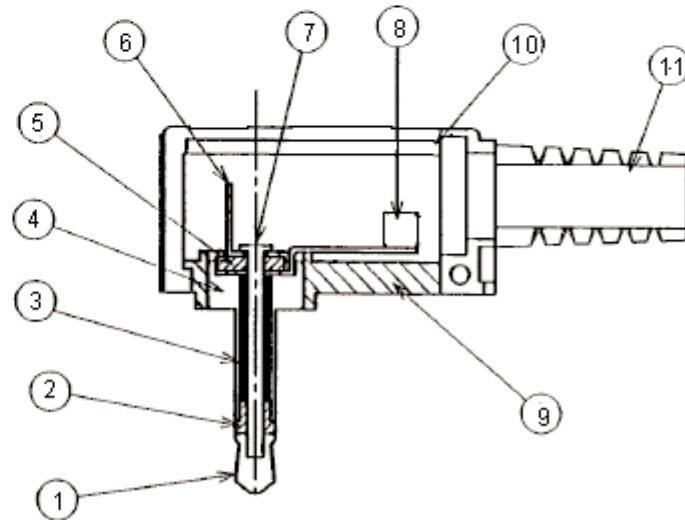
MP-022LN

REVISIONS

ECN #	REV	DESCRIPTION	DRAWN	DATE	CHECKD	DATE	APPRVD	DATE
-	A	RELEASED	Veena	17/4/08	Suresh	17/4/08	G. C	01/5/08



1



Dimensions : Millimetres

This data sheet and its contents (the "Information") belong to the Premier Farnell Group (the "Group") or are licensed to it. No licence is granted for the use of it other than for information purposes in connection with the products to which it relates. No licence of any intellectual property rights is granted. The Information is subject to change without notice and replaces all data sheets previously supplied. The Information supplied is believed to be accurate but the Group assumes no responsibility for its accuracy or completeness, any error in or omission from it or for any use made of it. Users of this data sheet should check for themselves the Information and the suitability of the products for their purpose and not make any assumptions based on information included or omitted. Liability for loss or damage resulting from any reliance on the Information or use of it (including liability resulting from negligence or where the Group was aware of the possibility of such loss or damage arising) is excluded. This will not operate to limit or restrict the Group's liability for death or personal injury resulting from its negligence. SPC pro-SIGNAL is the registered trademark of the Group. © Premier Farnell plc 2008.

**TOLERANCES:**  
**UNLESS OTHERWISE SPECIFIED, DIMENSIONS ARE FOR REFERENCE PURPOSES ONLY.**

<b>DRAWN BY:</b>	<b>DATE:</b>
Veena	17/04/08
<b>CHECKED BY:</b>	<b>DATE:</b>
Suresh	17/04/08
<b>APPROVED BY:</b>	<b>DATE:</b>
G.Cook	01/05/08

**DRAWING TITLE:**

**Jack Plug - 2.5mm 2 P**

<b>SIZE</b> A	<b>DWG NO.</b>	<b>ELECTRONIC FILE</b> 1267369_DWG	<b>REV</b> A
<b>SCALE:</b> NTS	<b>U.O.M.:</b> mm	<b>SHEET:</b> 1 OF 2	



PART NO.

MP-022LN

REVISIONS

ECN #	REV	DESCRIPTION	DRAWN	DATE	CHECKD	DATE	APPRVD	DATE
-	A	RELEASED	Veena	17/4/08	Suresh	17/4/08	G. C	01/5/08

Specifications

Number	Part Name	Material	Finish	Part Number
1	Tip	Brass	Ni	MP-022LN
2	Insulator A	Ebonite	-	
3	Insulation tube	PVC	-	
4	Sleeve	Brass	Ni	
5	Insulator B	Phoenol	-	
6	Centre Terminal	Brass	Ni	
7	Nail	Steel	Cu - Ni	
8	Solder Terminal			
9	Insulator C	PC	-	
10	Housing	PP	-	
11	Strain Relief	PVC	-	

<http://www.farnell.com>

<http://www.newark.com>

<http://www.cpc.co.uk>

This data sheet and its contents (the "Information") belong to the Premier Farnell Group (the "Group") or are licensed to it. No licence is granted for the use of it other than for information purposes in connection with the products to which it relates. No licence of any intellectual property rights is granted. The Information is subject to change without notice and replaces all data sheets previously supplied. The Information supplied is believed to be accurate but the Group assumes no responsibility for its accuracy or completeness, any error in or omission from it or for any use made of it. Users of this data sheet should check for themselves the Information and the suitability of the products for their purpose and not make any assumptions based on information included or omitted. Liability for loss or damage resulting from any reliance on the Information or use of it (including liability resulting from negligence or where the Group was aware of the possibility of such loss or damage arising) is excluded. This will not operate to limit or restrict the Group's liability for death or personal injury resulting from its negligence. SPC pro-SIGNAL is the registered trademark of the Group. © Premier Farnell plc 2008.

**TOLERANCES:**  
**UNLESS OTHERWISE SPECIFIED, DIMENSIONS ARE FOR REFERENCE PURPOSES ONLY.**

<b>DRAWN BY:</b>	<b>DATE:</b>
Veena	17/04/08
<b>CHECKED BY:</b>	<b>DATE:</b>
Suresh	17/04/08
<b>APPROVED BY:</b>	<b>DATE:</b>
G.Cook	01/05/08

**DRAWING TITLE:**

**Jack Plug - 2.5mm 2 P**

<b>SIZE</b> A	<b>DWG NO.</b>	<b>ELECTRONIC FILE</b> 1267369_DWG	<b>REV</b> A
<b>SCALE: NTS</b>	<b>U.O.M.: mm</b>	<b>SHEET: 2 OF 2</b>	