



723 htec Einbaudose

speedtec

Code 13

Flansch 28x28

5+2-polig, Isolierkörper für Buchsenkontakte
Schutzleitergehäuseanbindung gem. VDE 0627
Berührungsschutz gem. VDE 0623
Sichere Trennung gem. VDE 0140

TE Teile Nr.: H E C 409 N 00 00 0300 000
IC Ref. Nr.: H 53 C 409 NN 00 00 0300 000

Technische Daten

| | |
|-------------------|-------------------|
| Polzahl | 7 |
| Leistung | 5 (4+PE) |
| Signal | 2 |
| Temperaturbereich | -20 °C bis 130 °C |
| Schutzart | gesteckt IP 66/67 |

Elektrische Daten

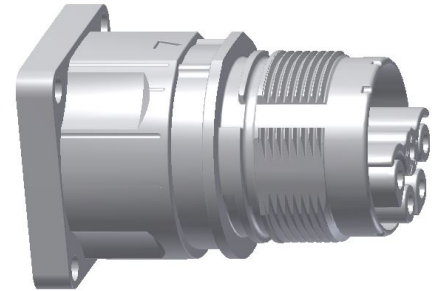
| | |
|------------------------------|--|
| Bemessungsstrom | |
| Bemessungsspannung | |
| Bemessungsstoßspannung (L-L) | |

Leistung

| |
|-------------------------|
| max. 30 A* |
| 630 V (AC) / 850 V (DC) |
| 6000 V |

Signal

| |
|-----------------------|
| max. 1,2 A* |
| 30 V (AC) / 50 V (DC) |
| 1500 V |



Steckzyklen 500

Werte gem. VDE 0110/EN61984, Abschnitt 6.19.2.2

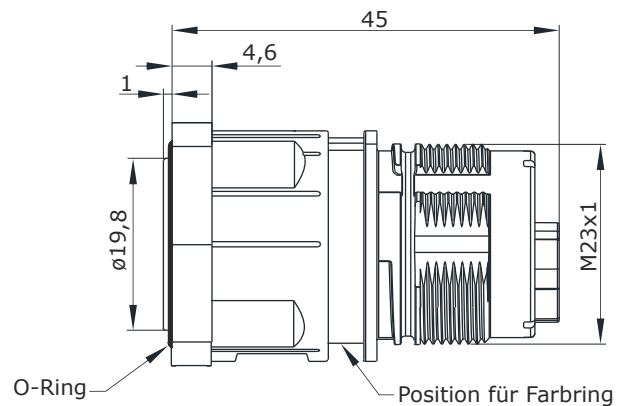
| | |
|------------------------|--------|
| Verschmutzungsgrad | 3 |
| Überspannungskategorie | III |
| max. Aufstellhöhe | 2000 m |

Werkstoffe

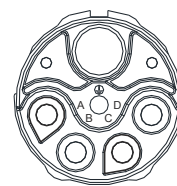
| | |
|---------------|----------------------------|
| Gehäuse | Zinkdruckguss, chromatiert |
| Isolierkörper | PA 6.6 mod., UL 94/ V0 |
| Dichtungen | FKM |

Kontakte (nicht im Lieferumfang enthalten)

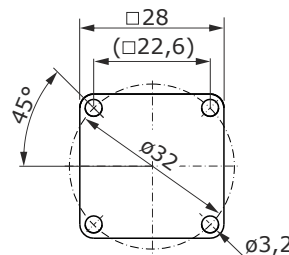
Werkzeuge (nicht im Lieferumfang enthalten)



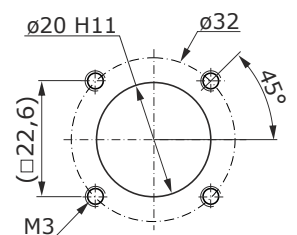
Hauptabmessungen
Einbaudose



Polbild
Buchse, Code 13
Ansicht steckseitig



Hauptabmessungen
Flansch



Montagefenster





intercontec
products

723 htec Receptacle

speedtec

Code 13

Flange 28x28

5+2-pin, Insulation Insert for Socket-Contacts
Earth-to-Housing Connection according to VDE 0627
Protection Against Contact according to VDE 0623
Electrically Protective Separation to VDE 0140

TE part number: H E C 409 N 00 00 0300 000
SG/IC reference number: H 53 C 409 NN 00 00 0300 000

Technical Data

| | |
|-------------------|-------------------------|
| number of pins | 7 |
| power | 5 (4+PE) |
| signal | 2 |
| temperature range | -20 °C to 130 °C |
| protection type | IP 66/67 when connected |

Electrical Data

| | |
|--------------------------------|--|
| rated current | |
| rated voltage | |
| rated insulation voltage (L-L) | |

Power

| |
|-------------------------|
| max. 30 A* |
| 630 V (AC) / 850 V (DC) |
| 6000 V |

Signal

| |
|-----------------------|
| max. 1.2 A* |
| 30 V (AC) / 50 V (DC) |
| 1500 V |

mating cycles 500

Data according to VDE 0110/EN61984, Paragraph 6.19.2.2

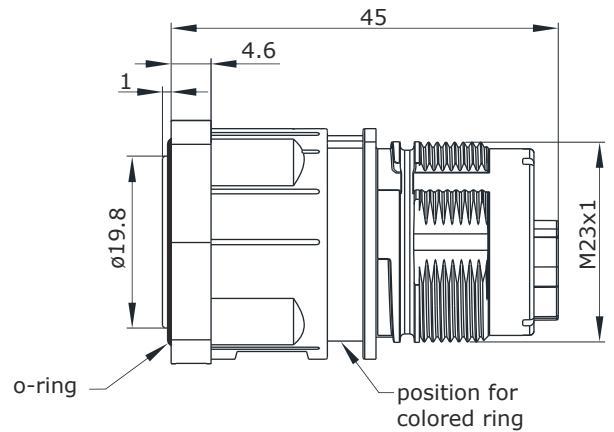
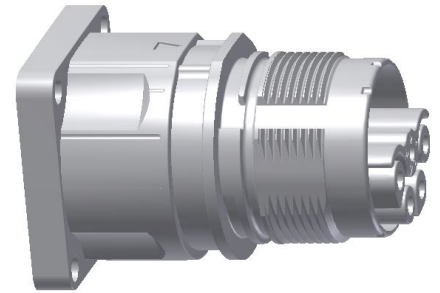
| | |
|---------------------------|--------|
| pollution degree | 3 |
| over voltage category | III |
| max. height for operation | 2000 m |

Material

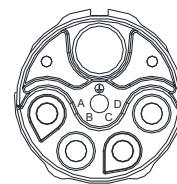
| | |
|-------------------|-------------------------|
| housing | zinc diecast, chromated |
| insulation insert | PA 6.6 mod., UL 94/ V0 |
| seals | FKM |

Contacts (not part of product contents)

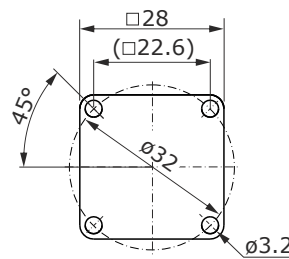
Tools (not part of product contents)



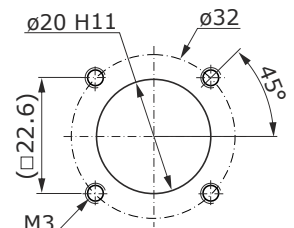
Main Dimensions
receptacle



Contact Arrangement
socket, code 13
mating view



Main Dimensions
flange



Mounting Hole

issued: 21.06.2017/Sa; modified: 06.07.2018/BN
Y6-G269-000-0DE © 2018 TE Connectivity

TE Connectivity, TE connectivity (logo), intercontec (logo) and speedtec are trademarks.

While TE Connectivity (TE) has made every reasonable effort to ensure the accuracy of the information in this presentation, TE does not guarantee that it is error-free, nor does TE make any other representation, warranty or guarantee that the information is accurate, correct, reliable or current. TE reserves the right to make any adjustments to the information contained herein at any time without notice. TE expressly disclaims all implied warranties regarding the information contained herein, including, but not limited to, any implied warranties of merchantability or fitness for a particular purpose. The dimensions in this article are for reference purposes only and are subject to change without notice. Specifications are subject to change without notice. Consult TE for the latest dimensions and design specifications.

TE Connectivity Industrial GmbH
Bernrieder Straße 15
94559 Niederwinkling, Germany
+49 9962 2002 - 0
intercontec@te.com
www.intercontec.biz



* for max. wire cross-section
pay attention to the
cross-section of used contacts