

**PLEASE CHECK WWW.MOLEX.COM FOR LATEST PART INFORMATION**

**Part Number:** [0349670002](#)  
**Status:** **Active**  
**Overview:** [Mini50 Connection Systems](#)  
**Description:** Mini50 Sealed Cavity Plug, 13.85mm Length, Light Gray

**Documents:**

[Drawing \(PDF\)](#) [RoHS Certificate of Compliance \(PDF\)](#)  
[Datasheet \(PDF\)](#)

**General**

Product Family	Accessories
Series	<a href="#">34967</a>
Component Type	Cavity Plug
Overview	<a href="#">Mini50 Connection Systems</a>
Product Name	Mini50 Sealed
UPC	193264258574

**Physical**

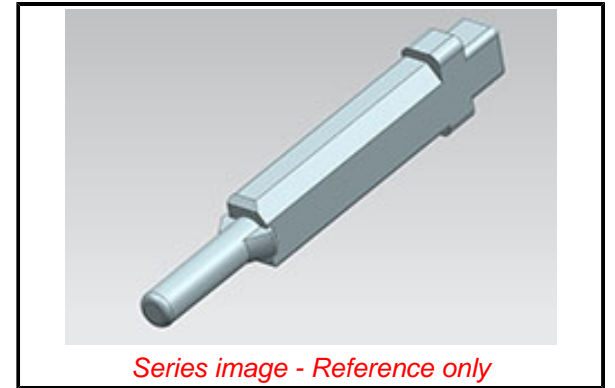
Circuits (Loaded)	0
Color - Resin	Gray (Light)
Gender	Plug
Material - Resin	Nylon
Net Weight	0.035/g
Packaging Type	Bag

**Material Info**

Engineering Number	CVP-349670002
--------------------	---------------

**Reference - Drawing Numbers**

Sales Drawing	349670002-000
---------------	---------------



**EU ELV**

**Compliant**

**EU RoHS**

**Compliant**

**REACH SVHC**

Not Contained Per -  
D(2020)9139-DC (19  
Jan 2021)

**Halogen-Free**

**Status**

**Low-Halogen**

For more information, please visit [Contact US](#)

China ROHS

ELV

RoHS Phthalates

**China RoHS**

Not Relevant

Compliant

Not Contained

**Search Parts in this Series**

[34967 Series](#)