

Magnetic Buzzer(Washable)

HMB SERIES



HMB-06

(EIAJ:MB-RPD-C16-22)

HMB-12

(EIAJ:MB-RPD-C16-22)

Feature

- Dip-solderable and washable
- Compact
- Low current consumption

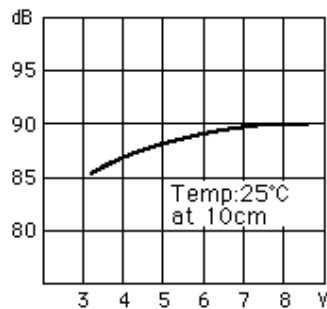
Applications

- microwave oven
- telephone
- timer
- automobile electronics
- electronic cash register
- printer
- POS system
- computer peripherals
- portable battery-operated equipment

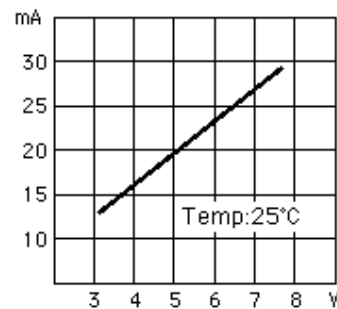
Characteristics

HMB-06

Sound Output vs. Voltage

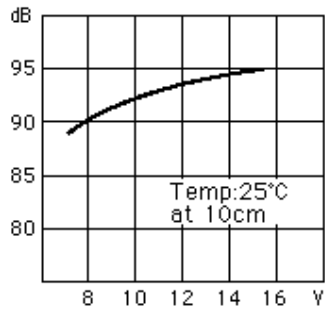


Current vs. Voltage

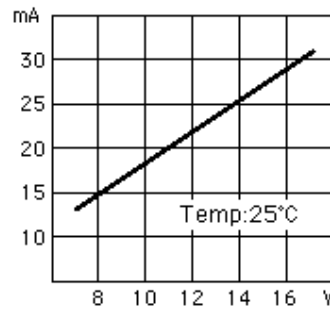


HMB-12

Sound Output vs. Voltage



Current vs. Voltage



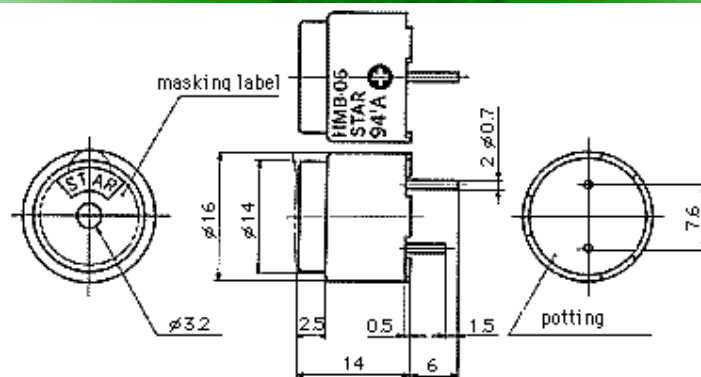
Specifications

Type	HMB-06	HMB-12
Rated Voltage (V)	6	12
Operating Voltage (V)	4 to 7	8 to 16
*Mean Current Consumption (mA)	MAX30 (TYP27)	MAX30 (TYP25)
*Sound Output at 10cm (dB)	MIN85 (TYP90)	MIN85 (TYP91)
*Basic Frequency (Hz)	2,200±300	
#Response Time (msec)	MAX50	
Operating Temperature (°C)	-40 to +85	
Storage Temperature (°C)	-40 to +85	
Weight (g)	5	

*Value applying rated voltage

#Value applying min. operating voltage

Dimensions



unit: mm

housing material: PPE-M

*Long pin:(+)