

PRODUCT NUMBER
10075025-X01-XXXLF

PLATING

S = 0.38µm GOLD/GXT ON CONTACT AREA
2µm MIN MATTE TIN ON TAIL
OVER 1.27µm MIN NICKEL

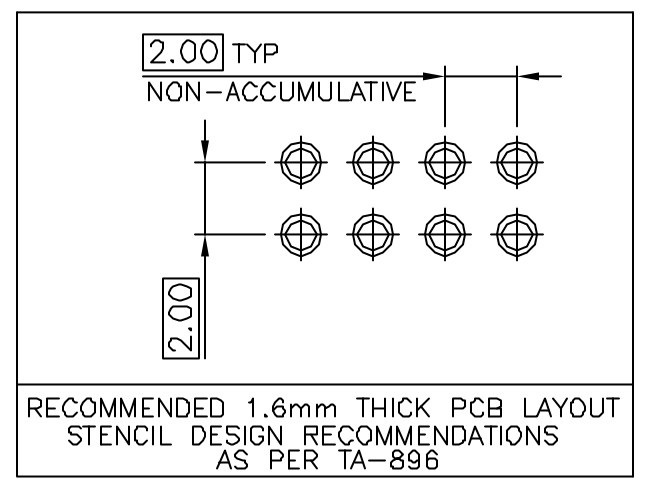
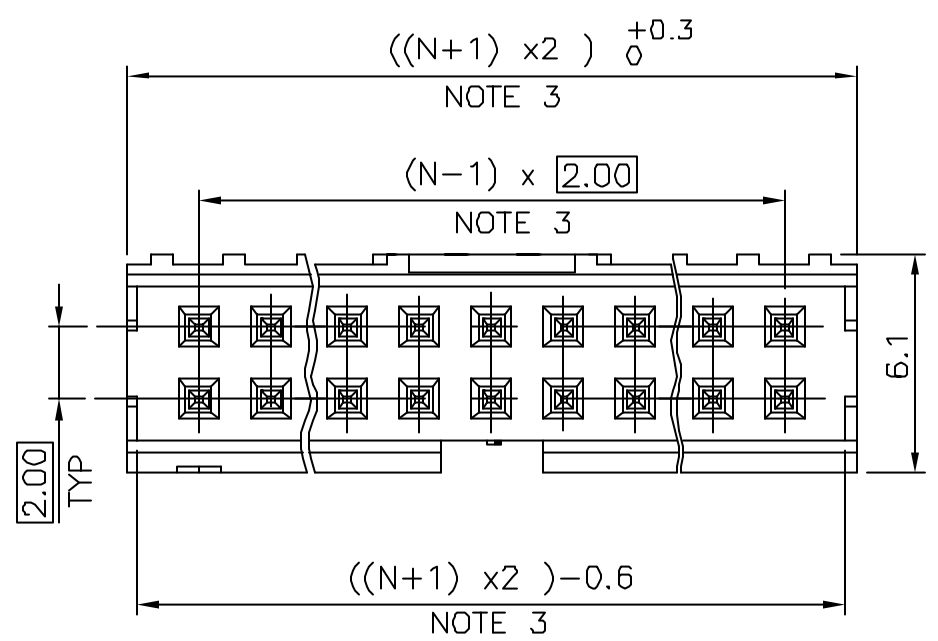
G = 0.76µm GOLD/GXT ON CONTACT AREA
2µm MIN MATTE TIN ON TAIL
OVER 1.27µm MIN NICKEL

F = GOLD FLASH ON CONTACT AREA
2µm MIN MATTE TIN ON TAIL
OVER 1.27µm MIN NICKEL

LEAD FREE
RoHS COMPATIBLE
NOTE 6

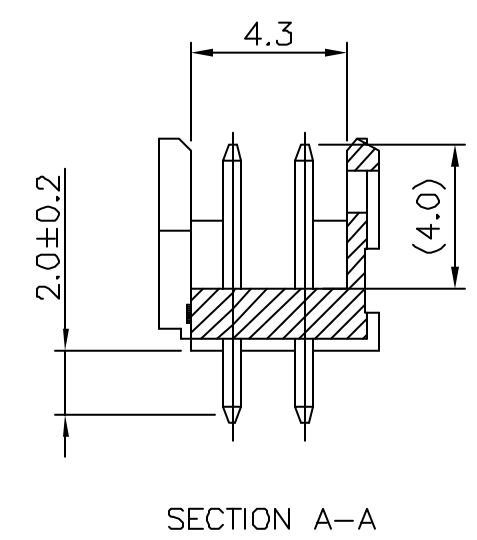
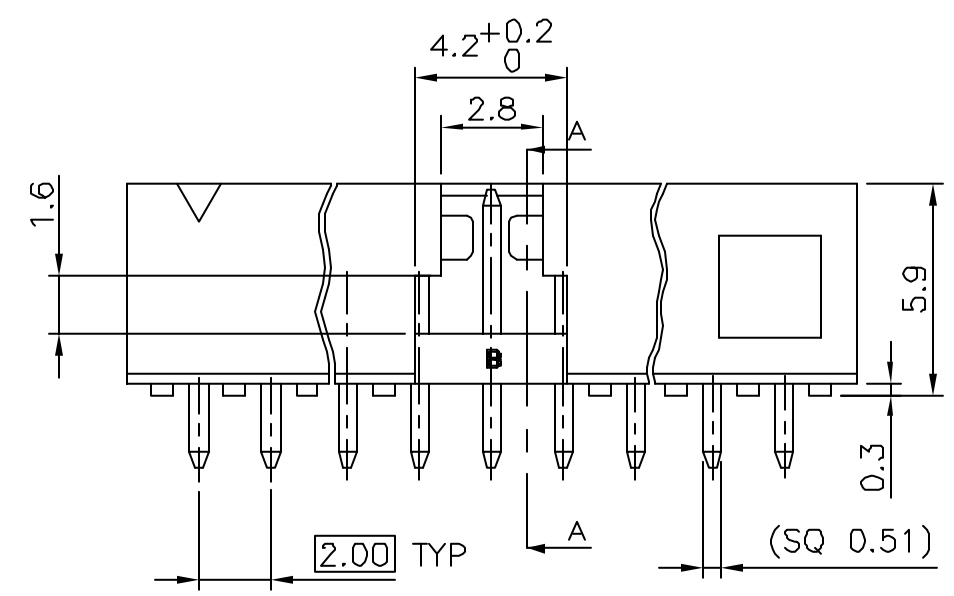
PACKAGING
NOTE 5

TOTAL NUMBER OF
POSITIONS, 04 TO 50



NOTES:

1. MATERIAL HOUSING: HIGH TEMP. THERMOPLASTIC
UL 94V-0, COLOR BLACK
2. MATERIAL TERMINAL: COPPER ALLOY
3. TO DETERMINE DIMENSIONS:
N = NUMBER OF POSITIONS PER ROW
4. 7N MIN. PIN RETENTION IN EITHER DIRECTION.
5. PACKAGING:
= PLASTIC BOX
U = TUBE AVAILABLE FROM 03 TO 25 PDS PER ROW
6. RoHS COMPATIBLE PRODUCT SPECIFICATIONS
 - a - PLATING:
- "LF" MEANS THE PRODUCT IS LEAD-FREE,
2µm MINIMUM MATTE TIN OVER 1.27µm
MINIMUM NICKEL UNDERPLATE.
 - b - MANUFACTURING PROCESS COMPATIBILITY
- THE HOUSING WILL WITHSTAND EXPOSURE TO
260°C PEAK TEMPERATURE FOR 30 SECONDS MAX
IN A CONVECTION, INFRA-RED, OR VAPOR PHASE
OR REFLOW OVEN
 - c - LABELLING:
- MEETS PACKAGING SPECS AS PER GS-14-920
 - d - LEGAL STATEMENT : SEE GS-22-008



mat'l. code				surface	tolerance	projection	product family
				ISO 1302	ISO 406	ISO 1101	MINITEK
ltr				tolerances unless otherwise specified		title	
ecn no				angles	.X ±0.3	SHR HEADER	
dr				linear	.XX ±0.13	2.00 mm VERTICAL PIP	
date					.XXX ±0.05	scale 1:1	
A 06-0326 LMU 07.01.04						dwg no	
B 07-0129 LMU 07.02.13						sheet 1 of 2	
C 08-0113 LMU 08.01.17						size	
D 08-0145 ELA 15.04.08						A3	
				dr	LMULIN	type	
				engr	J.COMPAGNON	CUSTOMER Drawing	
				chr			
				appd	J.M.C		
sheet index	revision	D	A				
1	1	1	2				

FCI CONFIDENTIAL



This document is the property of and embodies CONFIDENTIAL and PROPRIETARY information of FCI. No part of the information shown on this document may be used in any way or disclosed to others without the written consent of FCI. Copyright FCI.

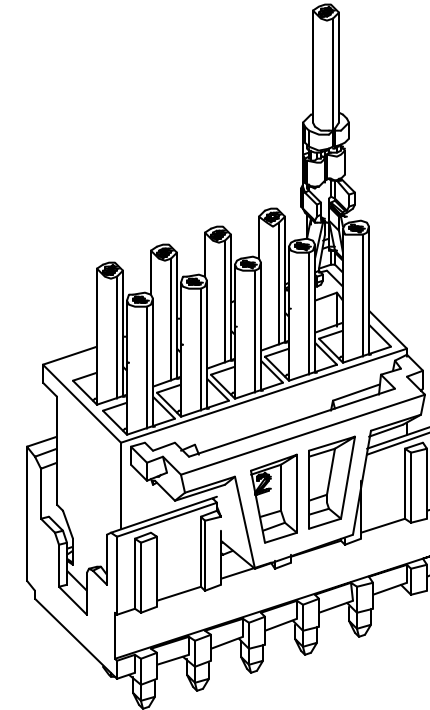
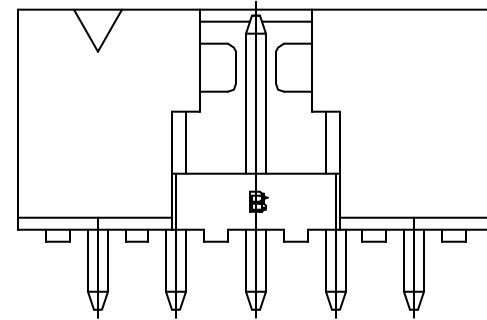
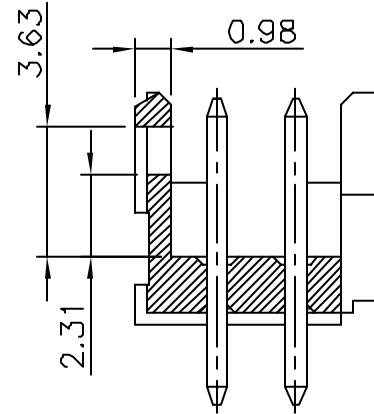
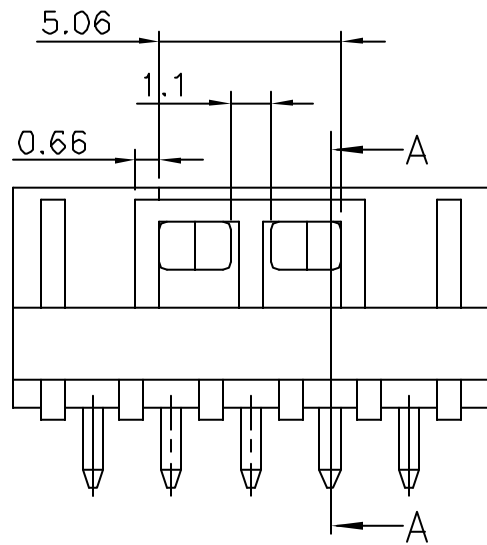
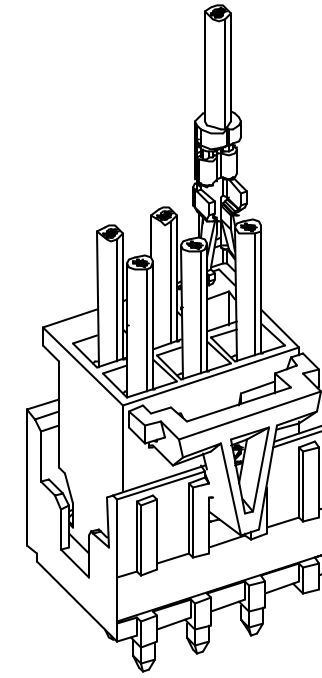
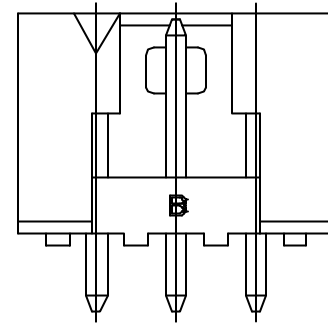
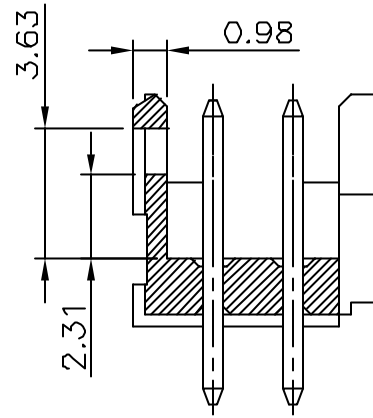
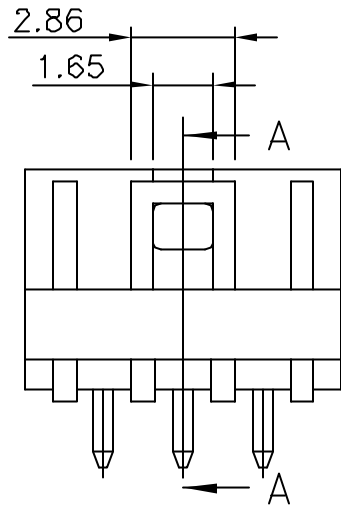
FCI CONFIDENTIAL

This document is the property of and embodies CONFIDENTIAL and PROPRIETARY information of FCI. No part of the information shown on this document may be used in any way or disclosed to others without the written consent of FCI. Copyright FCI.



FCIconnect.com

2x3 POS AND 2x4 POS CONFIGURATION
NO LATCHING AVAILABLE FOR 2x2 POS



2x5 POS UP TO 2x25 POS CONFIGURATION

LATCHING FEATURES WHEN USED IN COMBINATION
WITH ACTIVE LATCH HOUSING 10073599

mat'l. code				surface ISO 1302 ✓	tolerance ISO 406 ISO 1101	projection 1:1	product family MINITEK	
ltr	ecn no	dr	date	tolerances unless otherwise specified		mm	title	
A	08-0113	LMU	08.01.17	angles	.X ±0.3		SHR HEADER	
				linear	.XX ±0.13		2.00 mm VERTICAL PIP	
					.XXX ±0.05	scale 1:1	dwg no	
				dr	LMULN	07.12.04	sheet 2 of	
				engr	J.COMPAGNON	07.12.04	size	
				chr			10075025	
				appd	JM.C	07.12.04	A3	
sheet index	revision sheet						type	
							CUSTOMER Drawing	