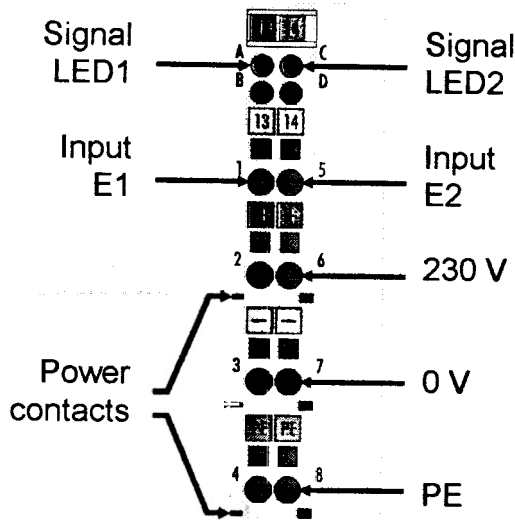


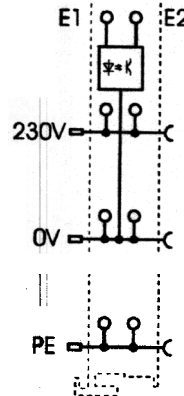
Farnell: 7087238

2 Channel digital input terminal 230 V AC KL1702, KL1712

Connection



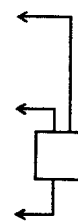
Top view



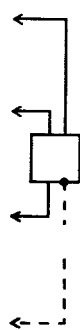
Contact assignments



2-wire



3-wire



4-wire

Product description

The KL1702 digital input terminals acquire the binary control signals from the process level and transport them in electrically isolated fashion to the higher-level bus system. Direct connection of 230 V actuators is possible. The bus terminals contain two channels each, which indicate their signals states by LEDs.

Technical data	KL1702	KL1712
Number of inputs	2	
Rated load voltage	230 V AC	120 V AC
'0' signal voltage	0 V ... 65 V	0 ... 30 V
'1' signal voltage	180 V ... 260 V	85 ... 140 V
Input current	2.2 mA typ.	
Switching time approx.	10 ms	
Electrical isolation	4000 Vrms (K bus / mains voltage)	
Current consumption of the T bus	1 mA typ.	
Bit width in the T bus	2	
Configuration	no address or configuration setting	
Housing	BKG 1334	
Weight approx.	60 g	
Operating temp	0°C ... +55°C	
Storage temperature	-20°C ... +85°C	
Relative humidity	95%, no condensation	
Vibrations/Shock resistance	In conformity with IEC 68-2-6 / IEC 68-2-27	
EMC resistance burst / ESD	In conformity with IEC 801-4 / IEC 801-2, severity 4	
Installation position	any	
Type of protection	IP20	