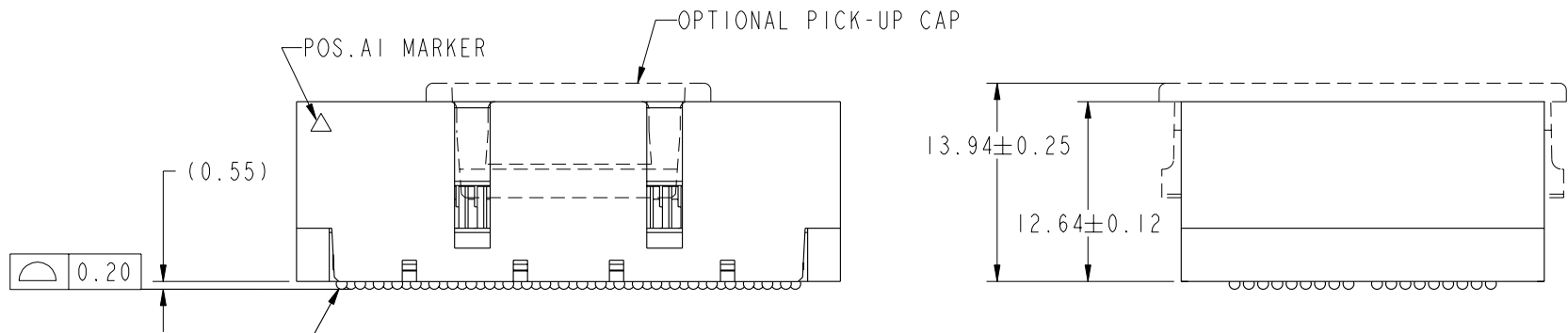
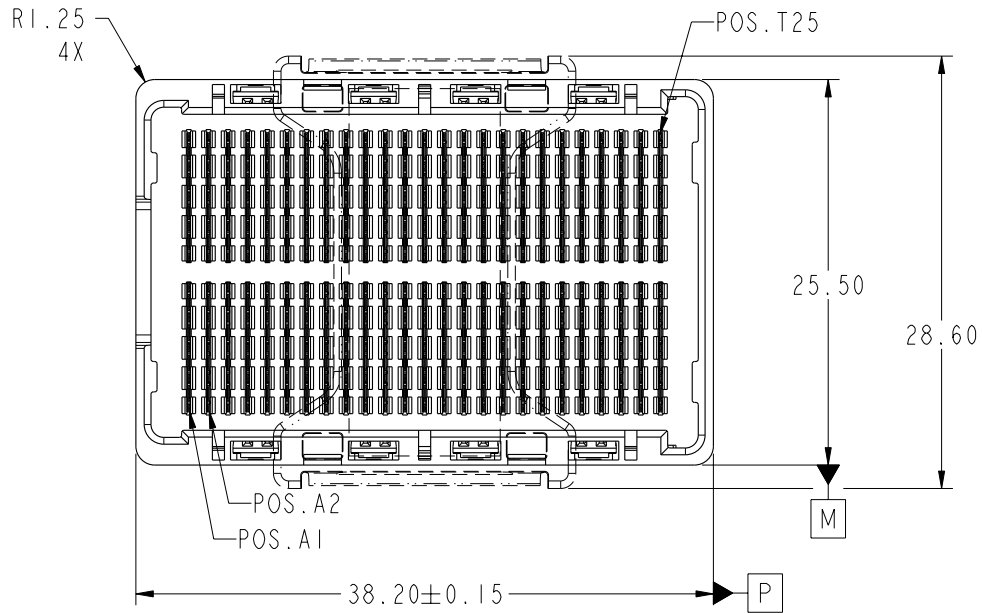




This document is the property of and embodies CONFIDENTIAL and PROPRIETARY information of FCI. No part of the information shown on this document may be used in any way or disclosed to others without the written consent of FCI. Copyright FCI.



Ø0.76 SOLDER BALLS  

⊕	Ø0.30	P	M
---	-------	---	---

 450X  
 SEE NOTE 2

mat'l code				SEE NOTE 1		tolerances unless otherwise specified		CUSTOMER		FCI www.fciconnect.com	
ltr	ecn no.	dr	date	linear	0.X ± 0.3		COPY		projection	title	
A	V06-0148	LP	2006/04/24		0.XX ± 0.10		MM			GIG-Array - 13mm PLUG ASSY 200 SIG POS.	
B	V06-0558	LP	2006/06/21		0.XXX ± 0.050		1:1			product family GIG-Array code	
C	V07-0618	LP	2007/10/15	angles	0° ± 2°		scale		size	sheet	
				dr	L. POTTEIGER	10/10/05			A	10060910	213
				engr	D. HARPER	10/50/05					1 of 4
				chr	D. HARPER	10/10/05					
				appd	D. HARPER	10/10/05					
sheet index	revision sheet	C	C	C	C	C	C				
		1	2	3	4						

cage code 22526

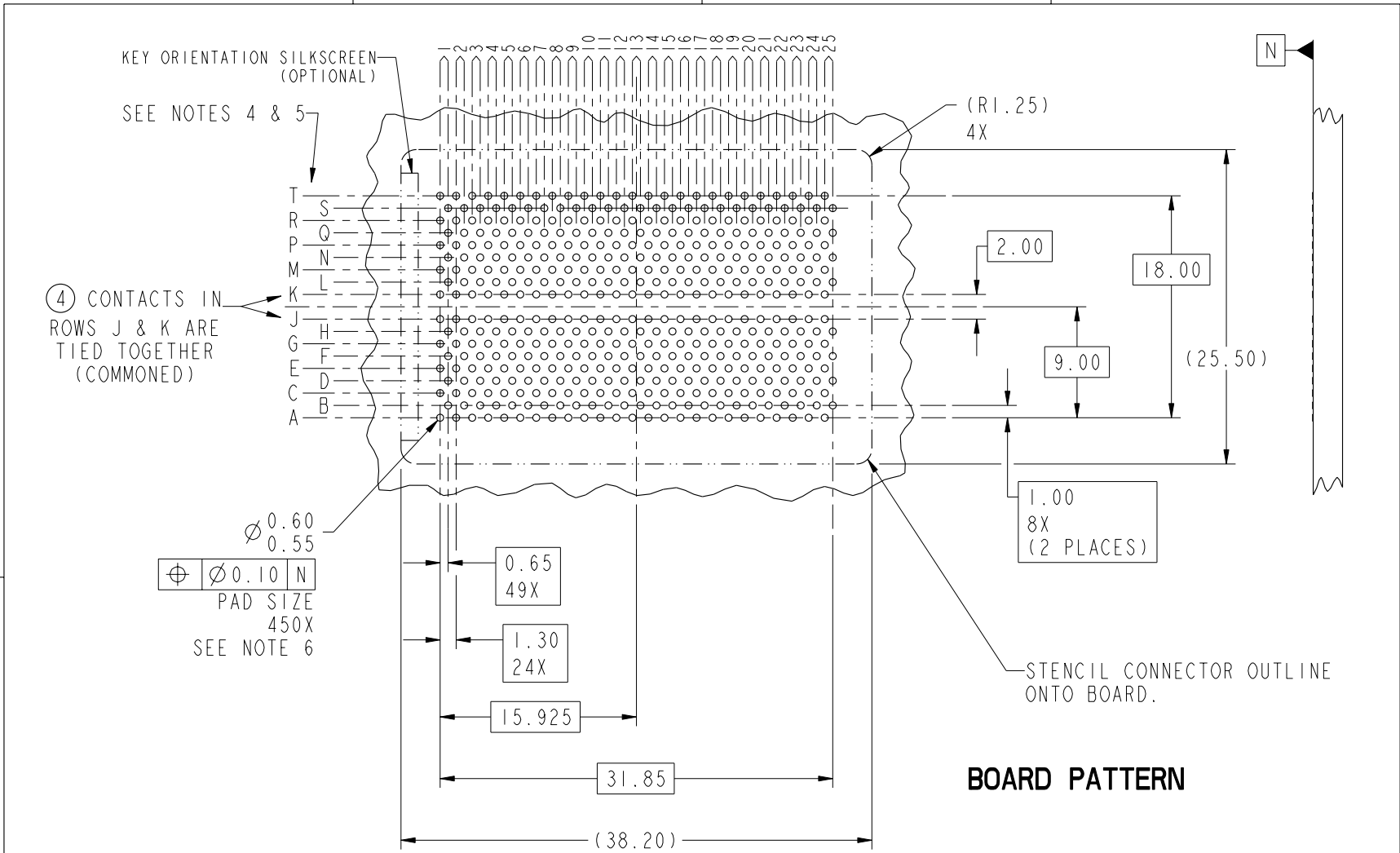
Pro/E

PDM: Rev:C

STATUS: Released

Printed: May 22, 2008

This document is the property of and embodies CONFIDENTIAL and PROPRIETARY information of FCI. No part of the information shown on this document may be used in any way or disclosed to others without the written consent of FCI. Copyright FCI.



$\varnothing 0.60$   
 $\varnothing 0.55$   
 $\varnothing 0.10$  N  
 PAD SIZE  
 450X  
 SEE NOTE 6

**BOARD PATTERN**

mat'l code				SEE NOTE 1		tolerances unless otherwise specified		CUSTOMER		FCI www.fciconnect.com	
ltr	ecr no.	dr	date	linear	0.X ± 0.3		COPY		projection	title	
C	-	-	-		0.XX ± 0.10		MM			GIG-Array - 13mm PLUG ASSY 200 SIG POS.	
					0.XXX ± 0.050		← MM →			product family GIG-Array code	
				angles	0° ± 2°		scale		size	dwg no	sheet
				dr	L.POTTEIGER	10/10/05	2:1		A	10060910	213
				enr	D. HARPER	10/50/05					2
				chr	D. HARPER	10/10/05					
				appd	D. HARPER	10/10/05					
sheet index	revision sheet										

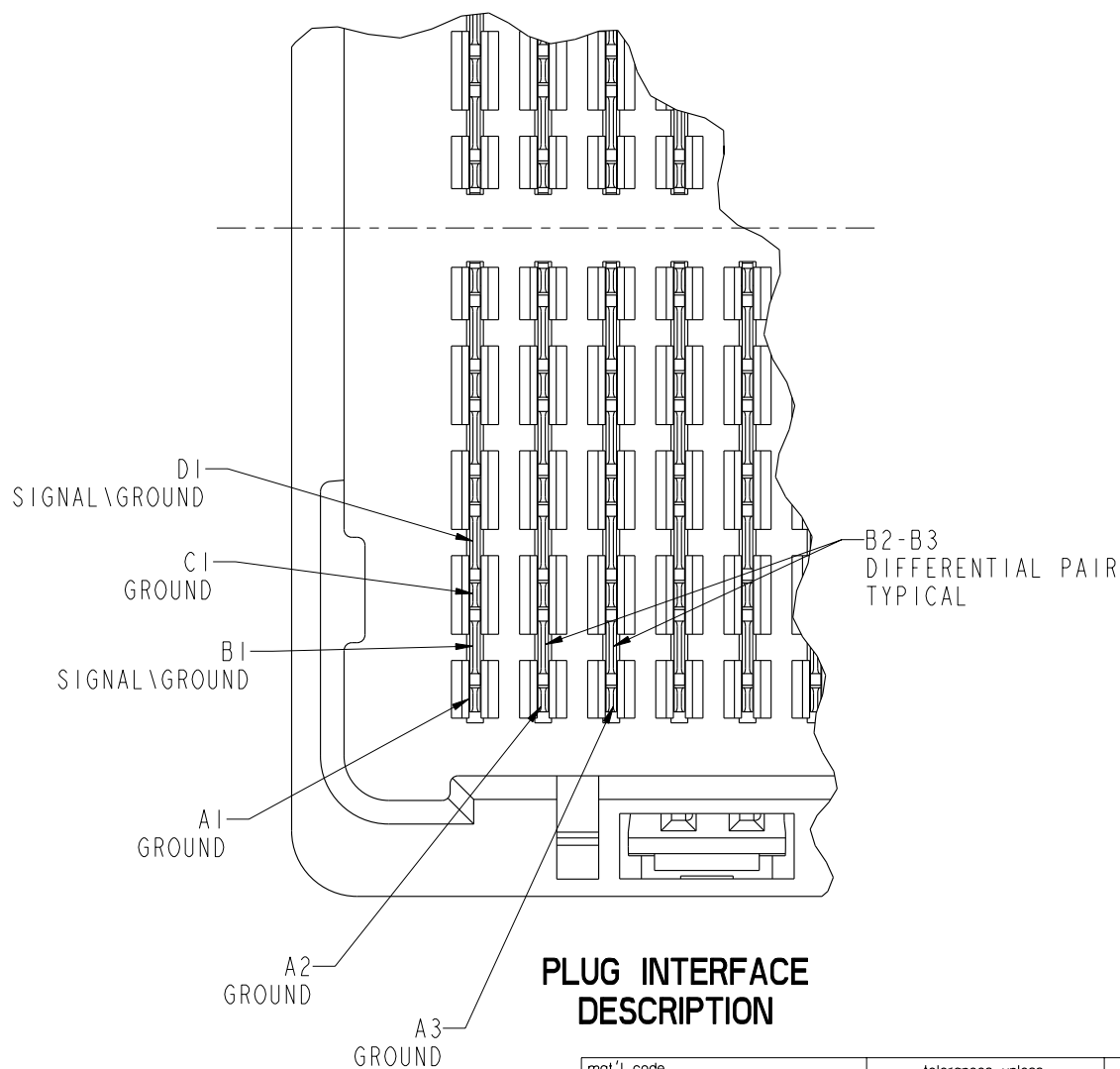
cage code 22526

Pro/E


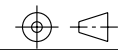
1 | 2

3 |

4



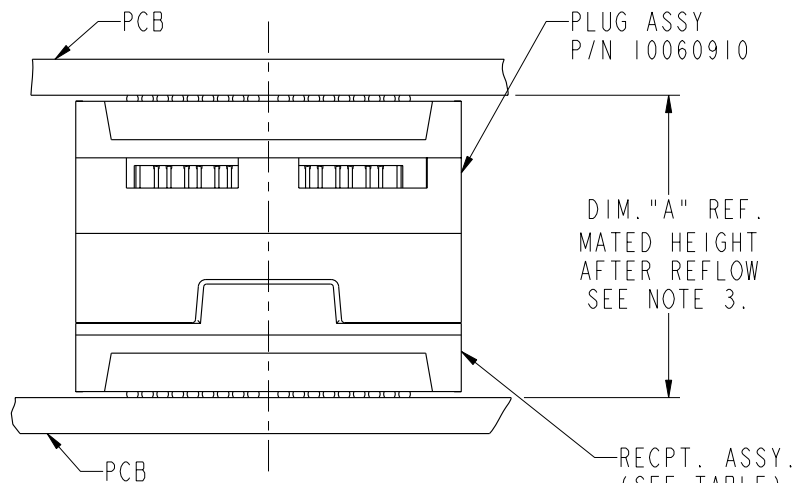
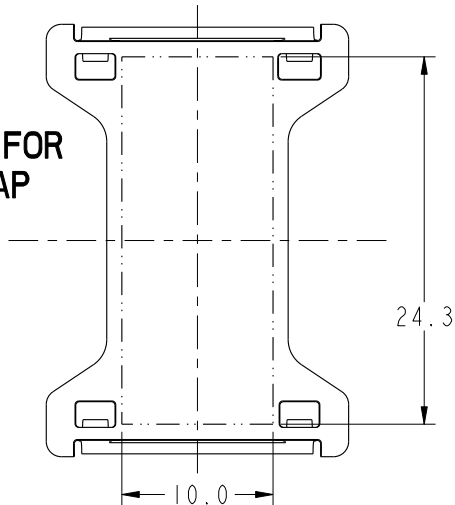
### PLUG INTERFACE DESCRIPTION

mat'l code				SEE NOTE 1		tolerances unless otherwise specified		CUSTOMER		 www.fciconnect.com	
ltr	ecr no.	dr	date	linear	0.X ±0.3		COPY		 projection	title	
C	-	-	-		0.XX ±0.10		MM			GIG-Array - 13mm PLUG	
					0.XXX ±0.050		7:1			ASSY 200 SIG POS.	
				angles	0° ±2°		scale		product family		
				dr	L.POTTEIGER	10/10/05			GIG-Array		
				enr	D. HARPER	10/50/05			code		
				chr	D. HARPER	10/10/05			213		
				appd	D. HARPER	10/10/05			sheet		
sheet index		revision sheet						A		3	
								10060910		3	

This document is the property of and embodies CONFIDENTIAL and PROPRIETARY information of FCj. No part of the information shown on this document may be used in any way or disclosed to others without the written consent of FCj. Copyright FCj.

PRODUCT NUMBER	SOLDER BALL
10060910-001	SnPb
10060910-001LF	SnAgCu LEADFREE (7)(8)

FLAT AREA FOR PICK-UP CAP



END VIEW OF MATED CONNECTORS

NOTES:

- ① MAT'L:  
HOUSING: LCP  
CONTACT: COPPER ALLOY  
PLATING (CONTACT): Au OVER Ni.  
UL RATING: 94 V-0
- ② SOLDER BALLS WILL NOT BE PERFECT SPHERICAL SHAPE DUE TO REFLOW ATTACHMENT.
- ③ MATED HEIGHT EFFECTED BY CUSTOMERS' PCB PAD SIZE, PLATING, SOLDER REFLOW PROFILE & SOLDER PASTE.
- ④ CONTACTS IN ROWS A,C,E,G,J,K,M,P,R AND T ARE SINGLE BEAM CONTACTS, TYPICALLY USED AS GROUND PINS. (NOTE: CONTACTS IN ROWS J & K ARE TIED TOGETHER [COMMONED])
- ⑤ CONTACTS IN ROWS B,D,F,H,L,N,Q AND S ARE DUAL BEAM CONTACTS, TYPICALLY USED AS SIGNAL PINS.
- ⑥ SPECIFIED POSITIONAL TOLERANCE DEFINES PAD TO PAD LOCATION WITHIN LAND PATTERN. POSITIONAL TOLERANCE OF LAND PATTERN TO FUDICIAL MARKS OR PCB DATUMS SHALL BE DEFINED BY CUSTOMER. FOR RECOMMENDED PRODUCT APPLICATION AND PCB DESIGN DETAILS, SEE DOC. NO. GS-20-016.
- ⑦ FOR PROPER APPLICATION FOLLOW FCI APPLICATION SPECIFICATION GS-20-033 LEADFREE SOLDER BALLS WILL NOT SOLDER PROPERLY IN A LEADED SOLDER PROCESS DUE TO A HIGHER REFLOW TEMPERATURE, LEADFREE PRODUCT IS THEREFORE NOT BACKWARDS COMPATIBLE WITH LEADED OR SOME SOLDERING APPLICATIONS. REFERENCE FCI APPLICATION SPECIFICATION.
- ⑧ THIS PRODUCT MEETS THE EUROPEAN UNION DIRECTIVES AND OTHER COUNTRY REGULATIONS AS DESCRIBED IN GS-22-008. PRODUCT MEETING WITH THES DIRECTIVE IS IDENTIFIED IN THE LOT CODE NUMBER MARKED ON EACH PART BY HAVING AN "X" IN THE SEVENTH CHARACTER POSITION.

DIM. "A"	RECPT. ASSY. P/N
28	55741
18	55740

mat'l code				SEE NOTE 1		tolerances unless otherwise specified		CUSTOMER		FCI www.fciconnect.com	
ltr	ecn no.	dr	date	linear	0.X ±0.3		COPY		projection	title	
C	-	-	-		0.XX ±0.10		MM			GIG-Array - 13mm PLUG ASSY 200 SIG POS.	
					0.XXX ±0.050		1:1			product family GIG-Array code	
				angles	0° ±2°		scale		size	213	
				dr	L. POTTEIGER	10/10/05			A	10060910	
				engr	D. HARPER	10/50/05				sheet	
				chr	D. HARPER	10/10/05				4	
				appd	D. HARPER	10/10/05					
sheet index	revision sheet									cage code	22526

This document is the property of and embodies CONFIDENTIAL and PROPRIETARY information of FCI. No part of the information shown on this document may be used in any way or disclosed to others without the written consent of FCI. Copyright FCI.