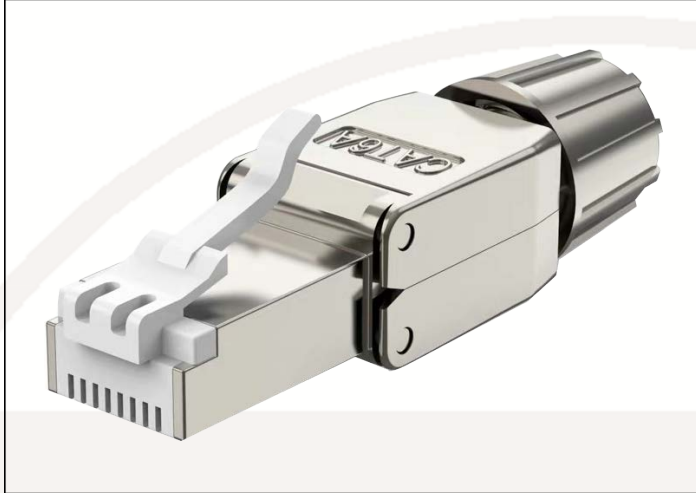


## **Category 6A Contractor Grade Field Termination Plug**



### **Category 6A Contractor Grade Field Termination Plug (PGSbt)**

TUK's Contractor Grade Cat6A field termination plug is the ideal low cost solution for time-saving and efficient on-site RJ45 assembly for Voice, Category 5e and even 10 Gigabit Ethernet cabling. It can be assembled on all standard types of cable, quickly and with no requirement of special tools. Designed for MPTL terminations, this field termination plug offers flexibility and saves time and money on installation, repairs and maintenance.

#### **Features**

- Category 6A Class EA Field Termination Plug with 568A and B wiring guide
- Robust industrial fully shielded design
- Suitable for use with solid core cable – designed for Modular Plug Terminated Link (MPTL) terminations
- Suitable for cable OD 6-8.5mm with core OD 1.0 – 1.5mm, copper core sizes 22-24 AWG/0.5-0.65 mm
- Reusable up to 5 times
- No tools required for time saving and efficient termination on site
- Rated for 100 mechanical cycles
- Note: suitable for Cat 5e and 6 patch cords but not suited for short length Category 6A patch leads (ie up to 4m)

#### **Specifications**

- Net weight: 19g approx
- Dimensions: 105 x 60 x 15 mm (in primary packing)
- Colour: Silver

#### **Materials**

- Housing: nickel plated zinc-alloy, plug contacts: 50µ"/1.27µm gold plating over phosphor bronze
- IDC: housing and cover: PC, terminals/contacts: nickel-plated phosphor bronze

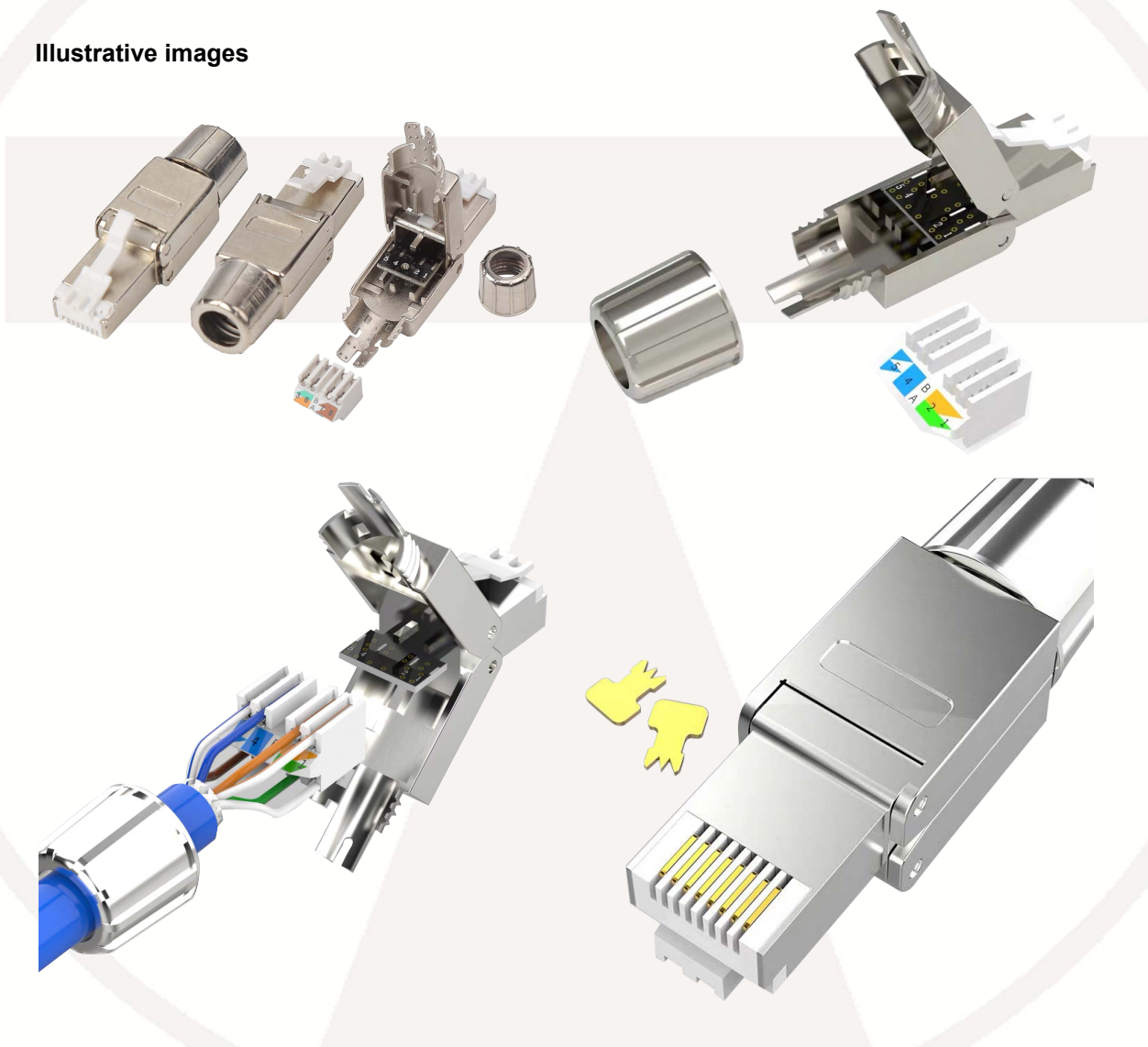
**Packaging:** Supplied in an individual poly bag with assembly instructions

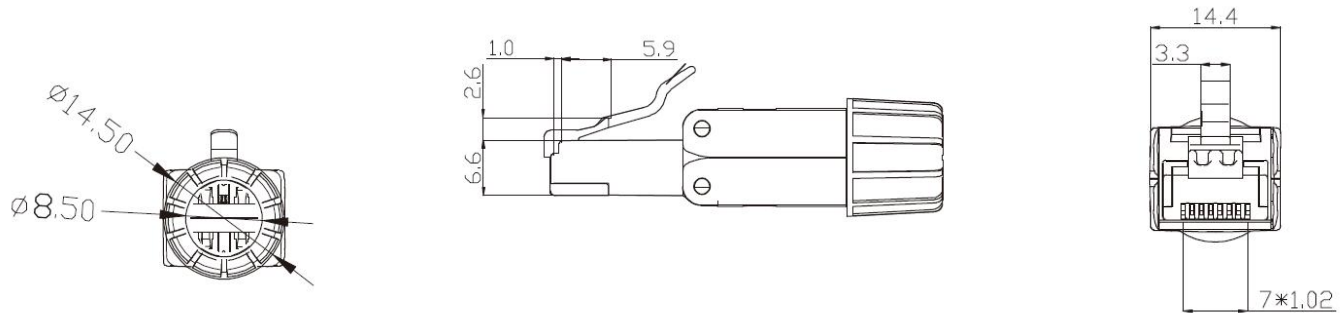
**Commodity code:** 85444920

**County of origin:** China

**EAN Number:** PGSbt - 5055386508782

**Illustrative images**




**TYPE:**

1. CAT6A RJ45 SHIELDED TOOLLESS PLUG
2. COLOUR: SILVER
3. ROHS,REACH COMPLIANT

**CABLE MATCHED:**

1. SOLID CORE CABLE
2. 22AWG/23AWG/24AWG /0.5-0.65 mm.

**ELECTRICAL:**

1. CONTACT RESISTANCE: 20m OHM
2. INSULATION RESISTANCE: <=500M OHM @100 V DC
3. WITHSTAND VOLTAGE: DC1000V AC700V RMS 60HZ, 1 MIN
4. CAT6A PERMANENT LINK: CONFORM TO ANSI/TIA/EIA 568B. 2-10

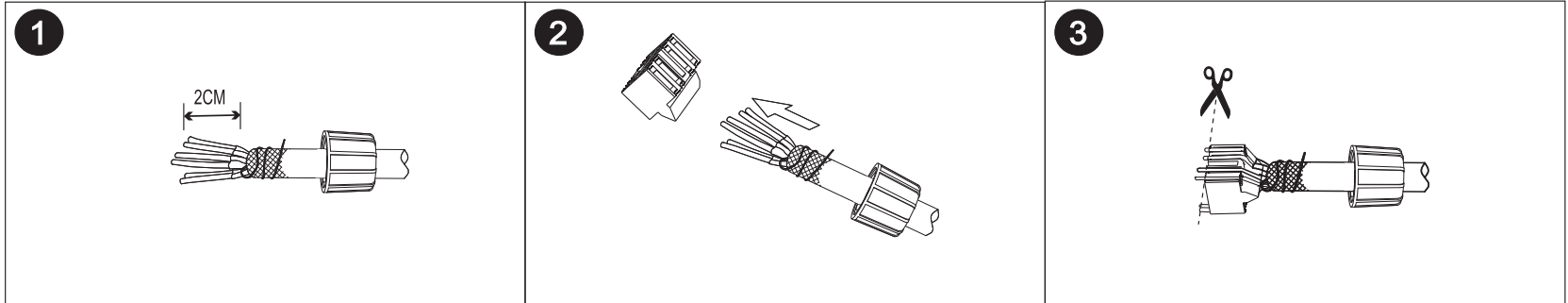
**ENVIRONMENTAL:**

1. STORAGE: -40° / +70°
2. OPERATION: -10° / +60°

**MECHANICAL:**

1. SHIELDED MATERIAL: ZINC ALLOY
2. PLASTIC MATERIAL: POLYCARBONATE
3. GOLD CONTACTS: PHOSPHOR BRONZE, GOLD PLATING 50μ"/1.27μm
4. TERMINAL PINS: PHOSPHOR BRONZE WITH NICKEL PLATING

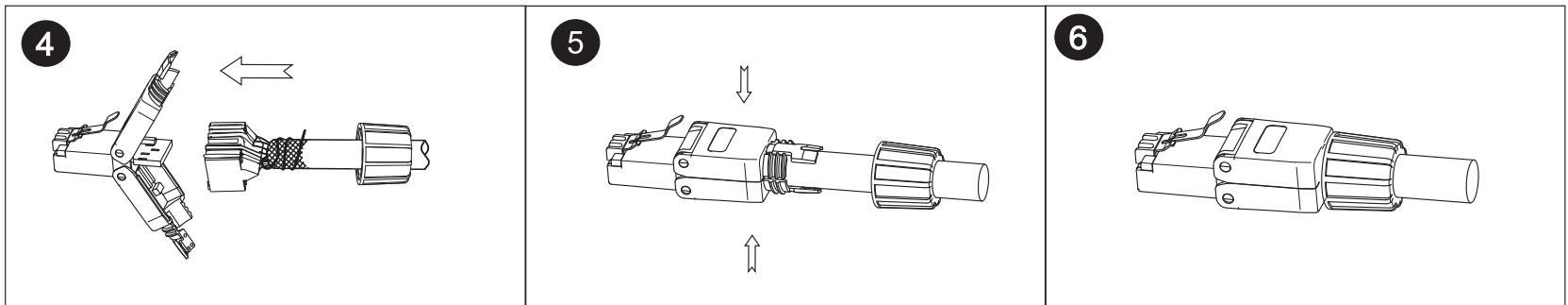
## Assembly Instructions - Cat 6A Shielded Field Termination Plug



Strip 2cm of cable jacket and wrap earth wire around jacket.

Insert cores into core carrier and follow colour code.

Trim flush excess wires.



Push cable and core carrier onto the PCB.

Firmly close and secure by screwing on the end cover.

The plug is terminated.