

# WITRA™ IOT OUT OF THE BOX

Powered by TT Electronics



## Features:

- Complete IoT development platform
- Pre-certified hardware, ready for field deployment
- Secure, easy to set up, easy to use
- 1 Gateway, 3 Mesh Routers, 4 Sensor Tags
- Rechargeable Tag battery provides months of life

## Description:

A wireless sensor network development kit which can be deployed on a heavy industrial site or areas of weak connectivity to monitor objects and assets, with a cloud based API.

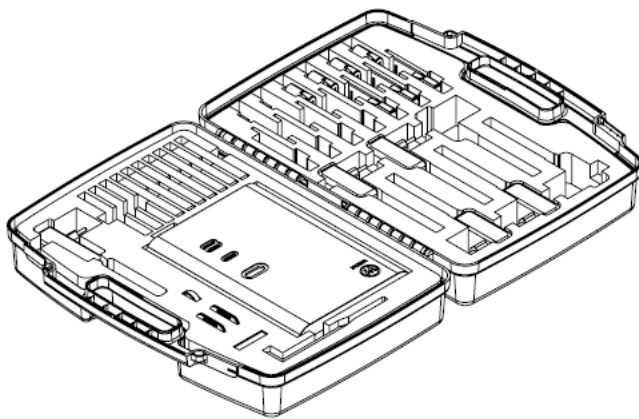
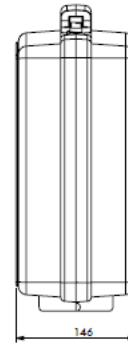
Specification	
Size (whole kit)	480 x 373 x 146mm
Weight	4kg
Kit contents	1 x SGW-10 Gateway & 12V Supply 3 x MTG-10 Mesh Router 4 x STG-10 Sensor Tags including protection cover 7 x Sensor Tag Mounting Cradles 7 x Sensor Tag Velcro Straps 1 x Reset Plug 4x 5V Power supplies (3 Mesh Router & 1 Sensor Tag) 1x External Antenna 1x OTG Adapter 2x Release Key
Ambient Operating Temperature <ul style="list-style-type: none"><li>• Tags &amp; Mesh Routers</li><li>• Gateway</li></ul>	-30°C to +85°C 0°C to +65°C
Environmental Rating <ul style="list-style-type: none"><li>• Sensor Tags</li><li>• Mesh Routers</li><li>• Gateway</li></ul>	IP67 IP51 IP64
Sensor Tag Battery	360mAh LiPo Rechargeable
Sensor Tag Maximum Input Power	100mA @5V (Micro-B USB)
Sensor Tag Average Current Consumption	140uA
Sensor Tag Sleep Current	20uA
Mesh Router Input Power	20mA @5V (Micro-B USB)
Gateway Input Power	2.5A max @12V (2-pin barrel connector)
SenselT Network Radio Transmit Frequency	863.0—870.0 MHz
SenselT Data Transmission Rate	50kbps (as per IEE802.15.4g)
Regulatory Compliance	CE (ETSI EN300 220-1)
Security	HTTPS, DTLS

# WITTRA™ IOT OUT OF THE BOX

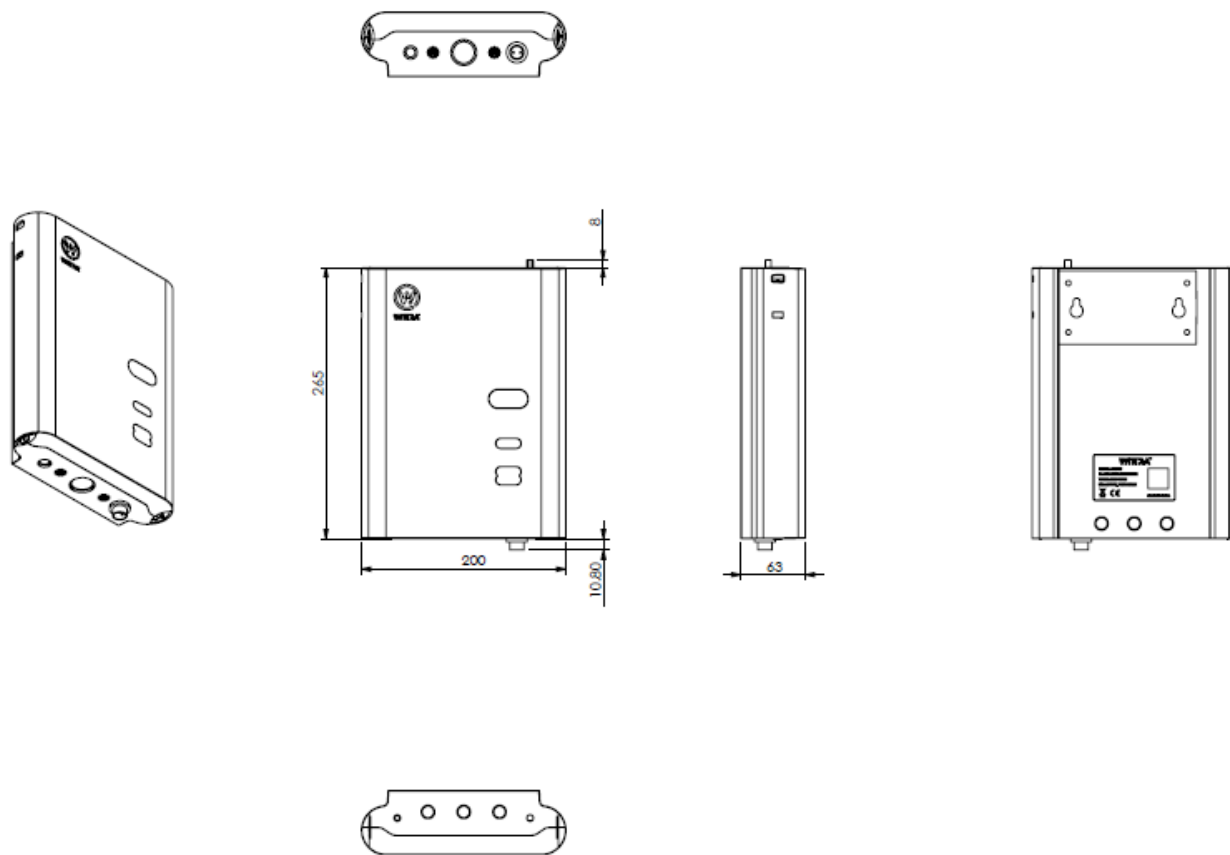
Powered by TT Electronics



## DIAGRAM



## Gateway

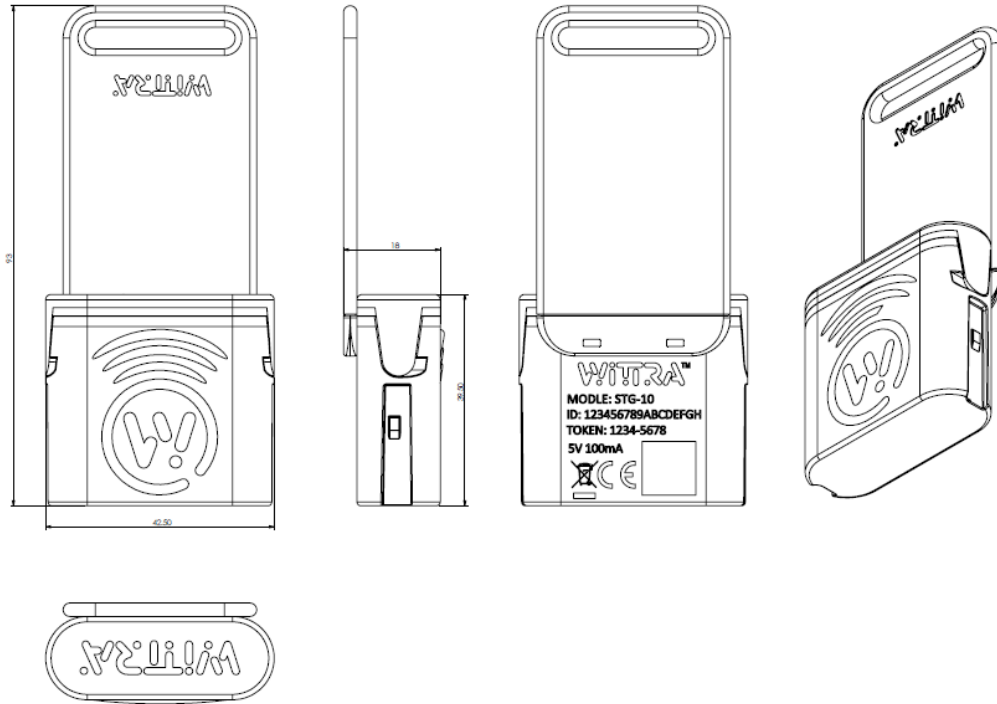


# WITRA™ IOT OUT OF THE BOX



Powered by TT Electronics

## Sensor Tag 1.0



## Mesh Router 1.0

