



IDEAL POWER
IDEAL POWER SOLUTIONS

FOR APPROVAL

CUSTOMER: _____

DESCRIPTION: I.T.E. POWER SUPPLY REV: (A0)

MODEL NO: HK-CP11-A09 PART NO: HKSC-070688EP
ROHS Compliance

DESIGNED NO: 070688-0615 DATE: JUN.15th.2007

APPROVED SIGNATURES			



MODEL NO. :	HK-CP11-A09	PAGE NO. :	1 OF 12
PART NO. :	HKSC-070688EP	ISSUED DATE:	2007.06.15
DESCRIPTION :	I.T.E. POWER SUPPLY	REV:	(A0)

CONTENTS

1. INTRODUCTION
2. INPUT REQUIREMENTS
3. OUTPUT REQUIREMENTS
4. EFFICIENCY
5. LINE REGULATION
6. HOLD UP TIME
7. TURN ON TIME
8. TEMPERATURE COEFFICIENT
9. DIELECTRIC STRENGTH (Hi-Pot) TEST
10. INSULATION RESISTANCE
11. PROTECTION
12. ENVIRONMENTAL CONDITIONS
13. EMI/ EMC
14. RELIABILITY AND QUALITY CONTROL
15. SAFETY
16. OVERALL DRAWING
17. USE SPECIFICATION
18. PACKING
19. MARKING



MODEL NO. :	HK-CP11-A09	PAGE NO. :	2 OF 12
PART NO. :	HKSC-070688EP	ISSUED DATE:	2007.06.15
DESCRIPTION :	I.T.E. POWER SUPPLY	REV:	(A0)

1.0 INTRODUCTION

This document specifies a switching power supply with a output of +9V, and electronic process. The switching power supply will provide power for technology equipments including electrical business equipment. The adaptor meets the requirement of lead free and RoHS.

2.0 INPUT REQUIREMENTS

- 2.1 Input Voltage Range: 100(-10%)VAC to 240(+10%)VAC
- 2.2 Input Frequency Range: 47 Hz to 63 Hz
- 2.3 Input Power Consumption at no-load : 0.5W MAX
- 2.4 Input In-rush Current: 50A Max (Actual test result is 13.2A)
- 2.5 Input Current: 0.35A Max

3.0 OUTPUT REQUIREMENTS

- 3.1 Output Voltage: +9V
- 3.2 Output Regulation: 8.55V~9.45V
- 3.3 Output Load Range: 0~1.2A
- 3.4 Output Ripple & Noise: 90mV Max @20MHz BANDWIDTH WITH
22UF/50V CAPACITANCE AND 104/50V CERAMIC CAPACITOR.

4.0 EFFICIENCY: $\geq 71.42\%$ @AVERAGE OF 25/50/75/100% LOADS & 115 VAC INPUT

5.0 LINE REGULATION: 2% MAXIMUM

6.0 HOLD UP TIME: 10ms MIN AT 110VAC FULL LOAD.

7.0 TURN ON TIME: 2S MAX AT 110VAC FULL LOAD.



MODEL NO. :	HK-CP11-A09	PAGE NO. :	3 OF 12
PART NO. :	HKSC-070688EP	ISSUED DATE:	2007.06.15
DESCRIPTION :	I.T.E. POWER SUPPLY	REV:	(A0)

8.0 TEMPERATURE COEFFICIENT: 0.05%/°C

9.0 DIELECTRIC STRENGTH (Hi-Pot) TEST

9.1 Finished product withstands AC 3.0KV, for 2 second, 4mA max primary to secondary.

9.2 Finished product withstands AC 3.0KV, for 2 second, 4mA max primary to case.

10.0 INSULATION RESISTANCE

Primary to secondary: 50MOHM to 500VDC.

11.0 PROTECTION

11.1 Input Protection

The switching power supply has a 1 amps inner current fuse to protect itself.

11.2 Output Protection

11.2.1 Output Current:

Overload conditions shall decrease the output current. Removal of an output Overload shall provide automatic recovery for the output voltage.

11.2.2 Short Circuit Protection: Auto Recovery.

11.2.3 Over Voltage Protection: 15V ±1V



MODEL NO. :	HK-CP11-A09	PAGE NO. :	4 OF 12
PART NO. :	HKSC-070688EP	ISSUED DATE:	2007.06.15
DESCRIPTION :	I.T.E. POWER SUPPLY	REV:	(A0)

12.0 ENVIRONMENTAL CONDITIONS

The switching power supply can withstand the following environmental conditions:

12.1 Storage Temperature:-20°C ~ +70 °C

Relative Humidity: 10% ~ 95%

12.2 Operation Temperature:0°C~40°C

Relative Humidity: 10%~95%

13.0 EMI / EMC

The switching power supply has approved by the following standards:

FCC PART 15B AS/NZS 55022/55024

(1)EN55022(EN61000-3-2. EN61000-3-3)

(2)EN55024(IEC61000-4-2. IEC61000-4-3. IEC61000-4-4.

IEC61000-4-6. IEC61000-4-8. IEC61000-4-11.)

14.0 RELIABILITY AND QUALITY CONTROL

14.1 Burn-in

The burn-in test will be performed at least 2 hours at 40 centigrade degrees under full load condition.

14.2 MTBF

When the operation is complying with this specification, the switching power supply s MTBF will be 50,000 hours at 25 centigrade degrees.

15.0 SAFETY

The switching power supply has approved by the following safety standards:

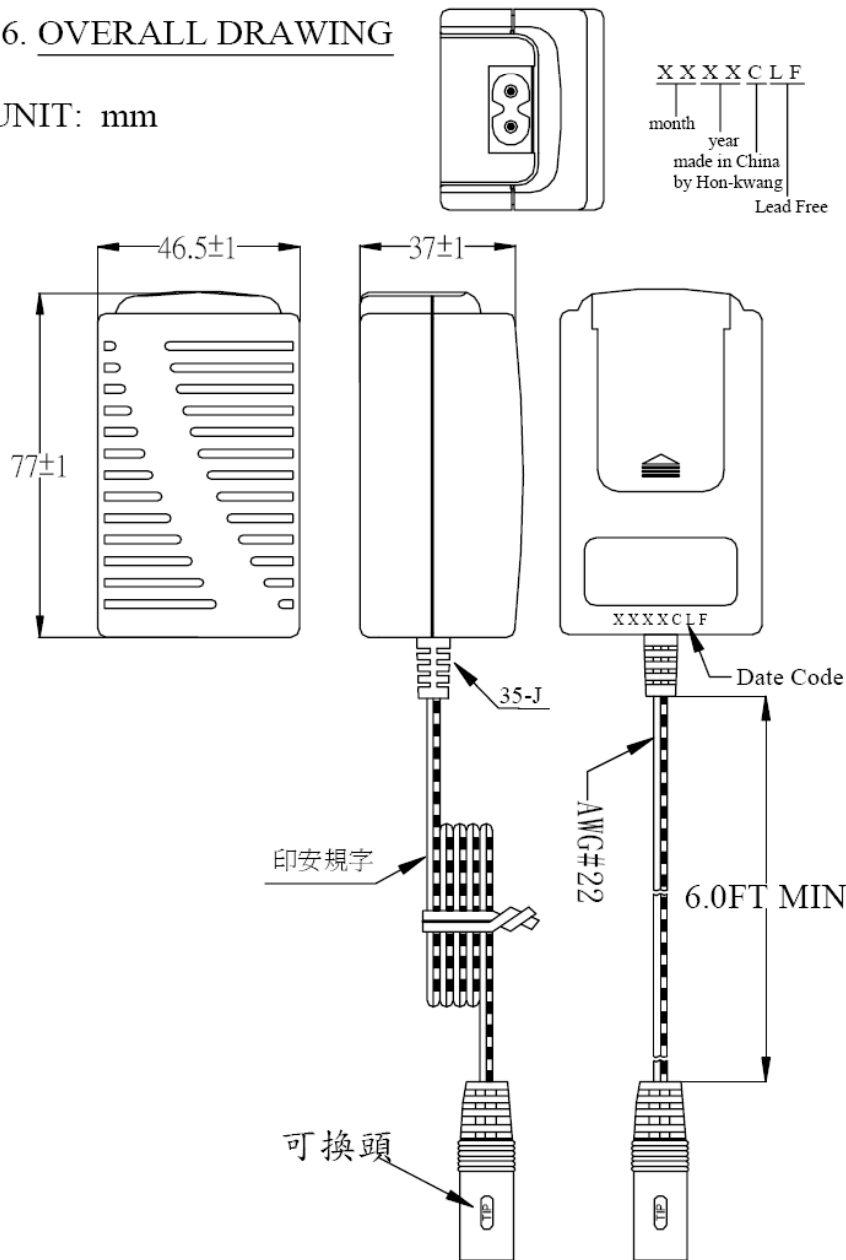
UL60950-1 (First Edition) CAN/CSA-C22.2 No.950-95

IEC60950-1: 1999, EN60950-1: 2000 AS/NZS60950-1

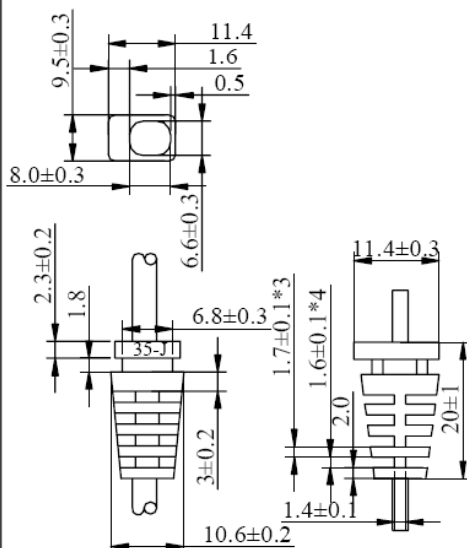
MODEL NO. :	HK-CP11-A09	PAGE NO. :	5 OF 12
PART NO. :	HKSC-070688EP	ISSUED DATE:	2007.06.15
DESCRIPTION :	I.T.E. POWER SUPPLY	REV:	(A0)

16. OVERALL DRAWING

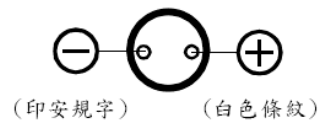
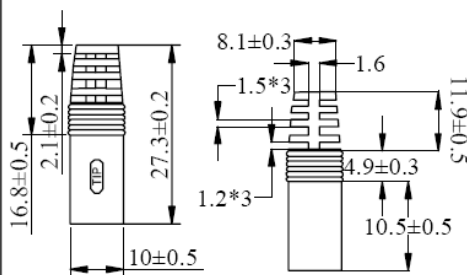
UNIT: mm



未注標尺寸公差: ± 0.2

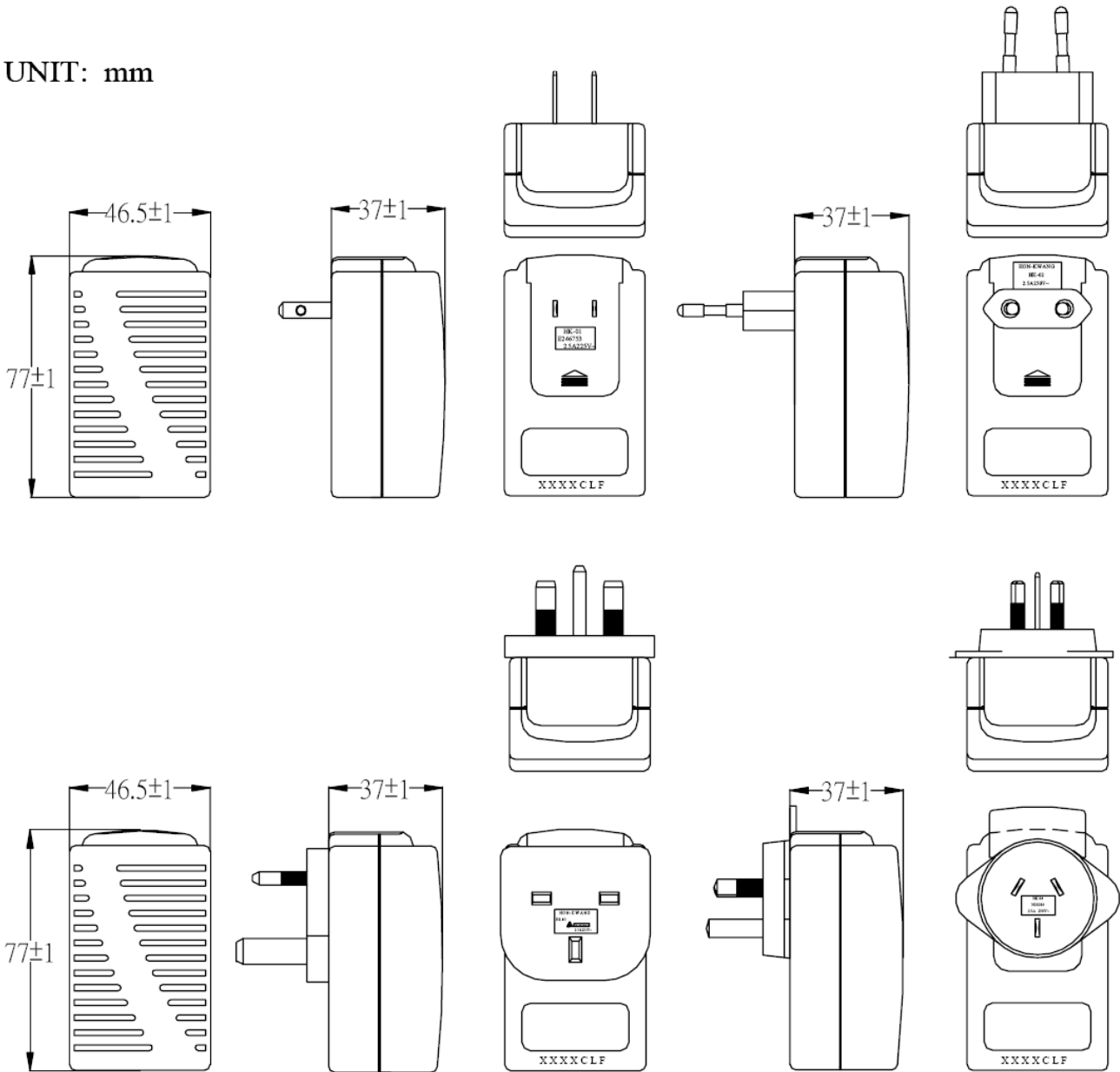


未注標尺寸公差: ± 0.2



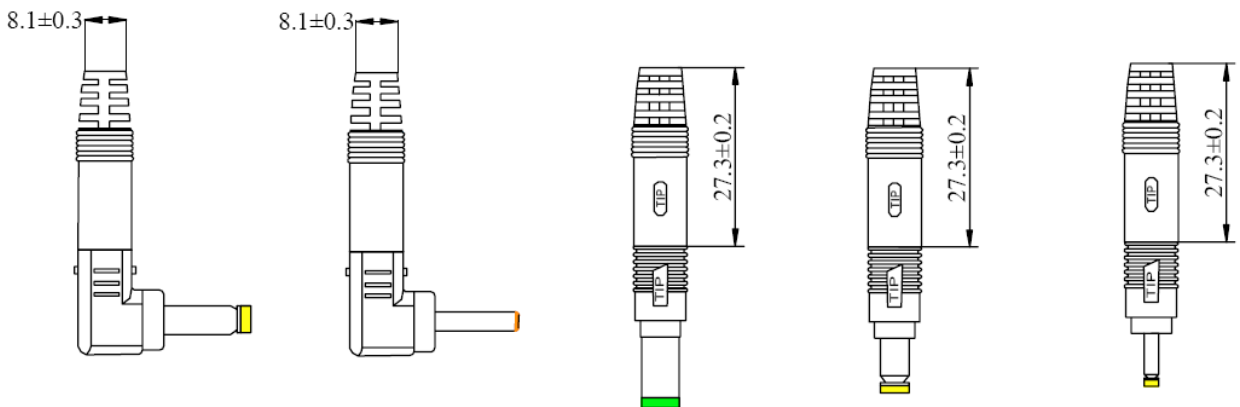
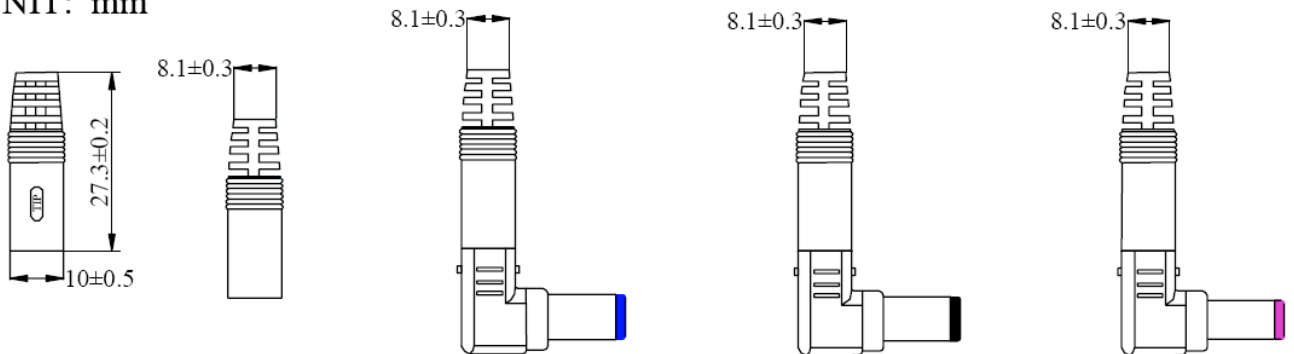
MODEL NO. :	HK-CP11-A09	PAGE NO. :	6 OF 12
PART NO. :	HKSC-070688EP	ISSUED DATE:	2007.06.15
DESCRIPTION :	I.T.E. POWER SUPPLY	REV:	(A0)

UNIT: mm



MODEL NO. :	HK-CP11-A09	PAGE NO. :	7 OF 12
PART NO. :	HKSC-070688EP	ISSUED DATE:	2007.06.15
DESCRIPTION :	I.T.E. POWER SUPPLY	REV:	(A0)

UNIT: mm

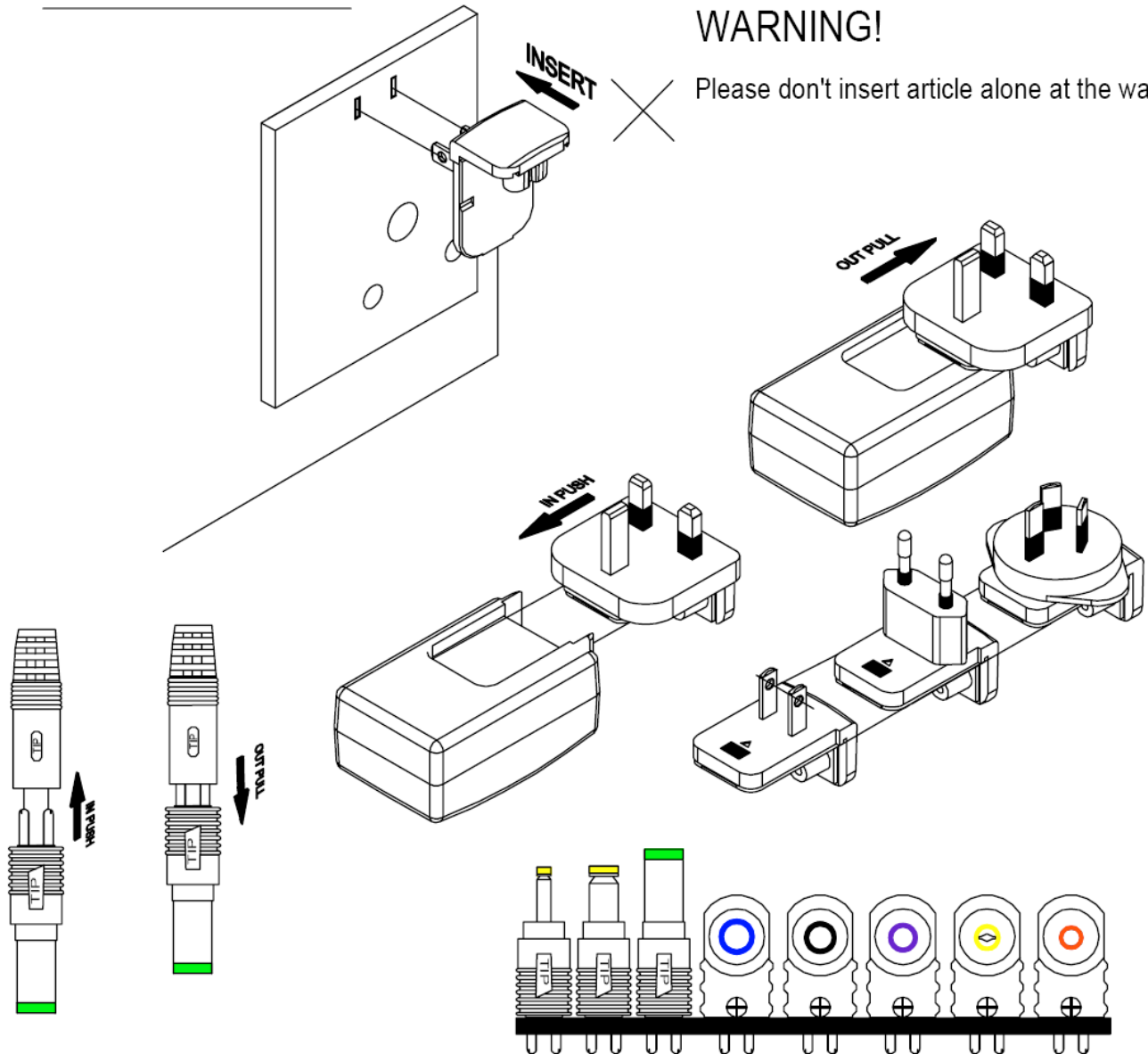


MODEL NO. :	HK-CP11-A09	PAGE NO. :	8 OF 12
PART NO. :	HKSC-070688EP	ISSUED DATE:	2007.06.15
DESCRIPTION :	I.T.E. POWER SUPPLY	REV:	(A0)

17. USE SPECIFICATION

WARNING!

Please don't insert article alone at the wall.



MODEL NO. :	HK-CP11-A09	PAGE NO. :	9 OF 12
PART NO. :	HKSC-070688EP	ISSUED DATE:	2007.06.15
DESCRIPTION :	I.T.E. POWER SUPPLY	REV:	(A0)

18. PACKING

18.1 Inner Box

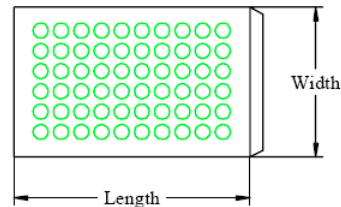
UNIT: mm

Bubble bag only used for samples, not for finished products.

BUBBLE BAG

Length : 150

Width : 120

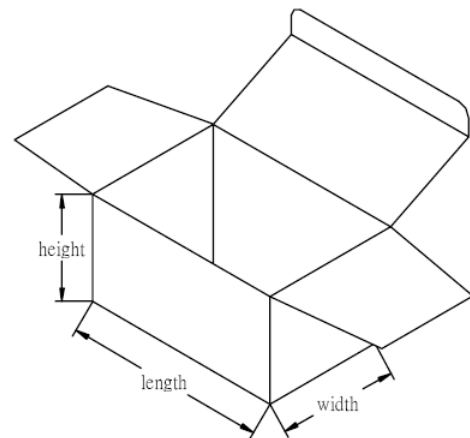


BOX

Length: 143

Width: 70

Height: 60



NOTICE:

Its probably different from the white box of the sample and the figure dimension. The white box is used to pack during product.

注意: 樣品使用的小白盒尺寸可能與此圖面尺寸不同, 此圖面尺寸是用于生產時的包裝.

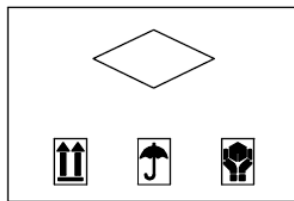


MODEL NO. :	HK-CP11-A09	PAGE NO. :	10 OF 12
PART NO. :	HKSC-070688EP	ISSUED DATE:	2007.06.15
DESCRIPTION :	I.T.E. POWER SUPPLY	REV:	(A0)

18. PACKING

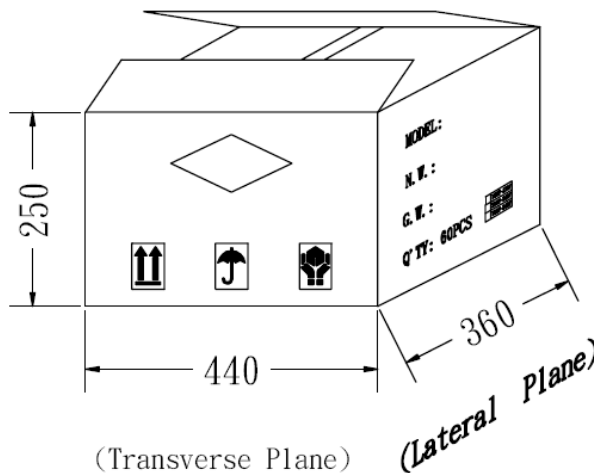
18.2 Carton

UNIT: mm



MODEL:
 N. W. :
 G. W. :
 Q' TY: 60PCS

100V-120V
200V-240V
100V-240V





MODEL NO. :	HK-CP11-A09	PAGE NO. :	11 OF 12
PART NO. :	HKSC-070688EP	ISSUED DATE:	2007.06.15
DESCRIPTION :	I.T.E. POWER SUPPLY	REV:	(A0)

19. MARKING

0.2mm 變色龍 NAME-PLATE:SILVER CHARACTERS BLACK BACKGROUND.

UNIT: mm

