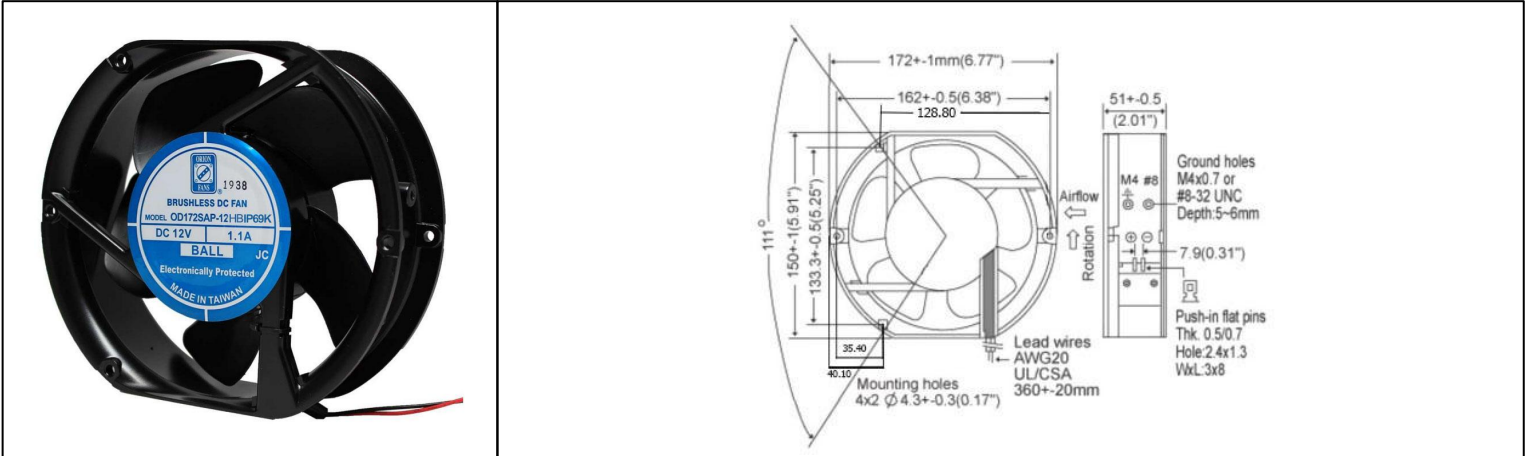


# OD172SAP-IP69K Series



DC Fan - 24V, 48V  
172x150x51mm (6.8"x5.9"x2.0")



<b>Frame</b>	Die Cast Aluminum, Black Finish	<b>Operating Temperature</b> -20°C ~ +65°C  <b>Storage Temperature</b> -20°C ~ +75°C  <b>Life Expectancy</b> 90,000 hours (L10 at 35°C)  <b>Available Options</b> Tachometer Alarm PWM 5V  Weight: 1.8 lbs  m0	
<b>Impeller</b>	PBT, UL94 V-0 plastic		
<b>Connection</b>	2x Lead Wires, 20 AWG		
<b>Motor</b>	Brushless DC, Auto Restart, Auto Cutoff, Polarity Protected, Electronically Protected, IP69K		
<b>Bearing System</b>	Dual Ball Bearings		
<b>Dielectric Strength</b>	500VAC/min		
<b>Insulation Resistance</b>	10M ohm between leadwires and frame (500 VDC)		

Part Number	Rated Voltage	Input Power	Rated Current	Rated Speed (RPM)	Airflow (CFM)	Noise Level (dB)	Max. Static Pressure
OD172SAP-24HBIP69K	24 VDC	24.0 W	0.97 A	3300	235	52	0.79" H <sub>2</sub> O
OD172SAP-48HBIP69K	48 VDC	23.5 W	0.48 A	3300	235	52	0.79" H <sub>2</sub> O