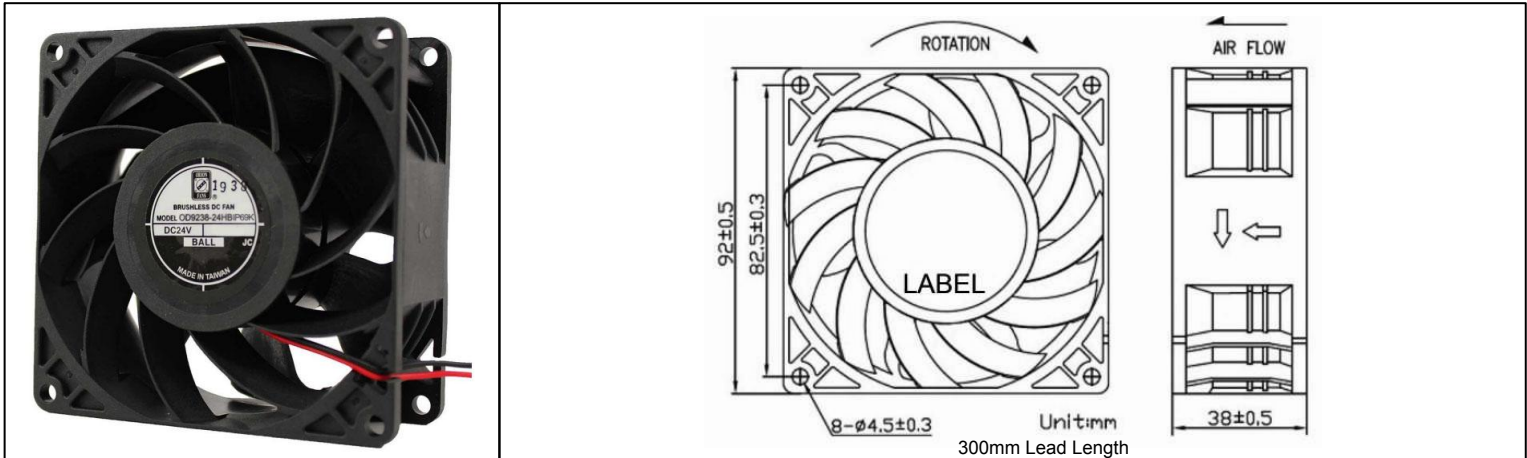


# OD9238-IP69K Series



DC Fan - 24V, 48V  
92x38mm (3.62"x1.5")



<b>Frame</b>	PBT, UL94 V-0 plastic	<b>Operating Temperature</b> -20°C ~ +65°C  <b>Storage Temperature</b> -20°C ~ +75°C  <b>Life Expectancy</b> 60,000 hours (L10 at 45°C)  <b>Available Options</b> Tachometer Alarm PWM 5V  Weight: 0.44 lbs  m0	
<b>Impeller</b>	PBT, UL94 V-0 plastic		
<b>Connection</b>	2x Lead Wires, 24 AWG, 300MM		
<b>Motor</b>	Brushless DC, Auto Restart, Auto Cutoff, Polarity Protected, Electronically Protected, IP68		
<b>Bearing System</b>	Dual Ball Bearings		
<b>Dielectric Strength</b>	500VAC/min		
<b>Insulation Resistance</b>	10M ohm between leadwires and frame (500 VDC)		

Part Number	Rated Voltage	Input Power	Rated Current	Rated Speed (RPM)	Airflow (CFM)	Noise Level (dB)	Max. Static Pressure
OD9238-24HBIP69K	24 VDC	9.6 W	0.4 A	4500	100	56	0.7" H <sub>2</sub> O
OD9238-48HBIP69K	48 VDC	12 W	0.25 A	4500	100	56	0.7" H <sub>2</sub> O