

Single and Dual Channel Soldering Rework Stations

multicomp PRO



Single Channel



Dual Channel

Features

- User friendly operator interface and big number display.
- Automatic recognition of the tools connected to the rework station.
- Three user defined temperature set points.
- Two output channels can work at the same time. Both for MP740069 and MP740150.

Specifications

Part Number	MP740068 MP740149	MP740150 MP740069
Rated Working Voltage	230V AC ±10% 50Hz / 110V AC ±10% 60Hz	
Rated Power	150W	200W
Temperature Range	150°C to 480°C / 302°F to 896°F (Configurable temperature range depends on the connected accessories of the soldering handle)	
Temperature Accuracy	±8°C / ±15°F	
Temperature Stability	±2°C / ±4°F	
Channels	1	2
Functional Ground Connection	3.5mm plug	
Stand-by and Auto-sleep Mode	Supported	
Display Resolution	240 × 160 Dots (white letters on blue)	
Operating Temperature	0°C to +40°C Relative humidity <80%	
Storage Temperature	-20°C to +80°C Relative humidity <80%	
Dimension	315mm (L) × 252mm (W) × 127mm (H)	
Weight	Approximately 4kg	
Accessories	Main Unit, Manual, Power Cord (UK/EU/US), Iron Stand, 130W Soldering Iron (MP740071) 3.5mm grounding-type receptacle	Main Unit, Manual, Power Cord (UK/EU/US), Iron Stand, 130W Soldering Iron (MP740071), 100W Tweezer type Soldering Iron (MP740073)

Newark.com/multicomp-pro
Farnell.com/multicomp-pro
Element14.com/multicomp-pro

multicomp PRO

Single and Dual Channel Soldering Rework Stations

multicomp PRO

Replacement Parts



MP740070 - 50W Mini Soldering Iron



MP740071 - 130W Soldering Iron



MP740072 - 150W High-power Soldering Iron



MP740073 - 100W Tweezer type Soldering Iron

Images and Diagram for Replacement Tips used with MP740070 - 50W Mini Soldering Iron



Chisel
MP740219



Chisel
MP740220



Chisel
MP740221



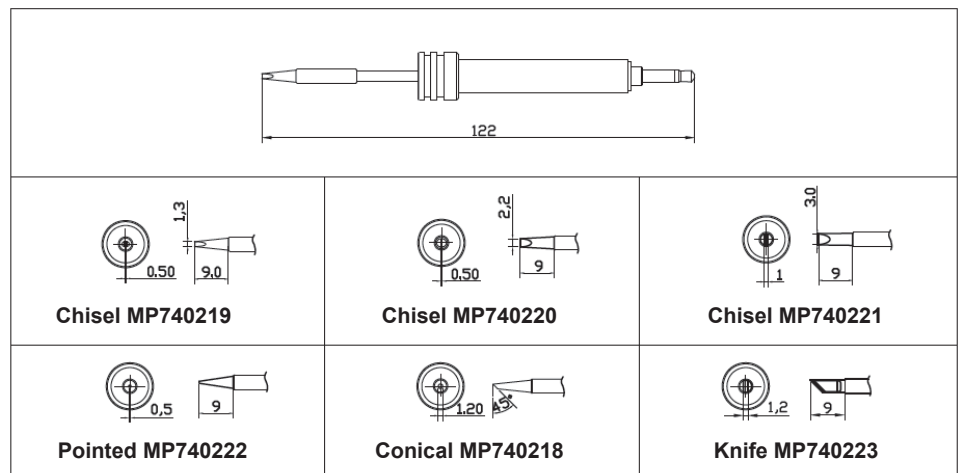
Pointed
MP740222



Conical
MP740218



Knife
MP740223



Dimensions : Millimetres

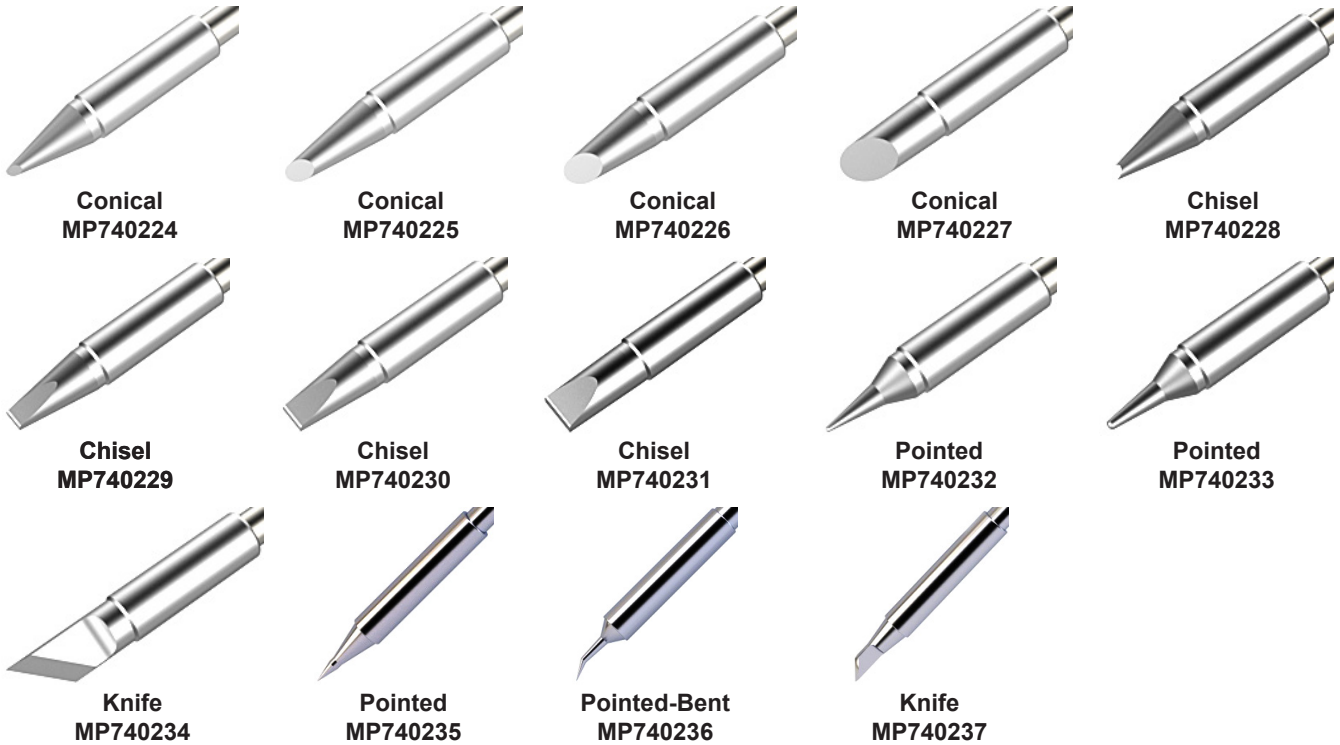
Newark.com/multicomp-pro
Farnell.com/multicomp-pro
Element14.com/multicomp-pro

multicomp PRO

Single and Dual Channel Soldering Rework Stations

multicomp PRO

Images and Diagram for Replacement Tips used with MP740071 - 130W Soldering Iron

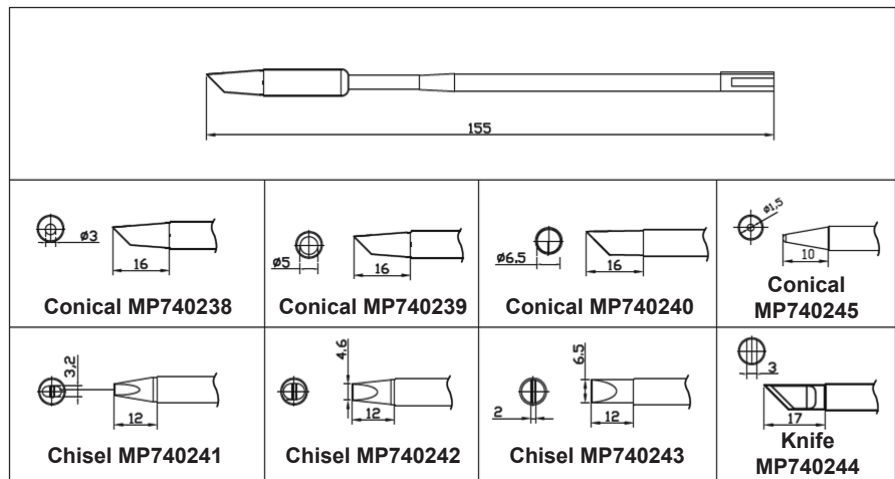
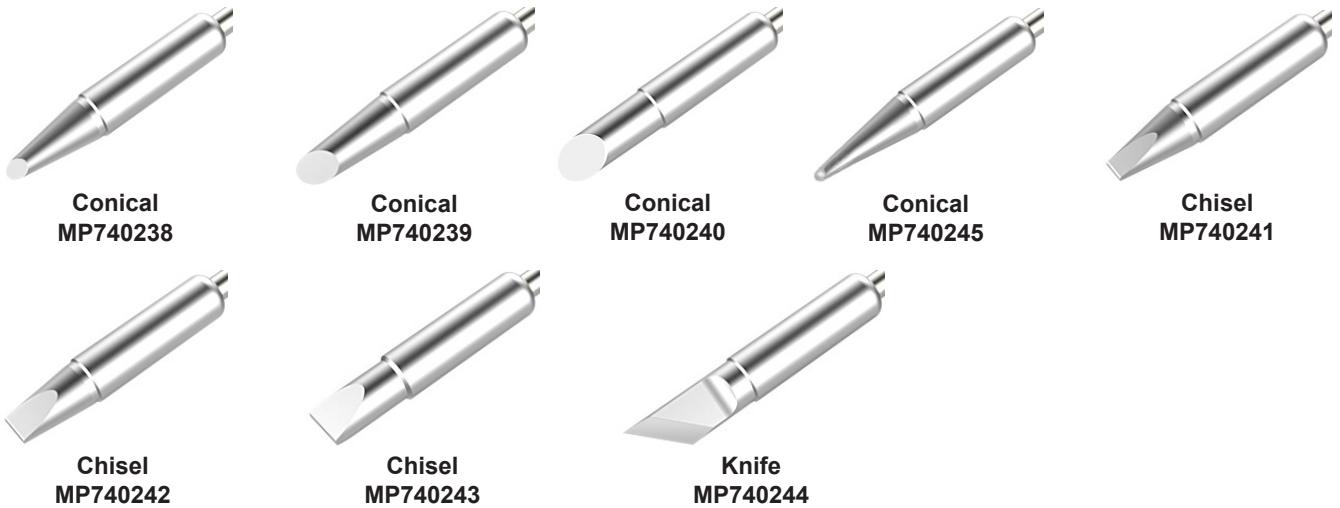


<p>Conical MP740224</p>	<p>Conical MP740225</p>	<p>Conical MP740226</p>	<p>Conical MP740227</p>
<p>Chisel MP740228</p>	<p>Chisel MP740229</p>	<p>Chisel MP740230</p>	<p>Chisel MP740231</p>
<p>Pointed MP740232</p>	<p>Pointed MP740233</p>	<p>Knife MP740234</p>	<p>Pointed MP740235</p>
	<p>Pointed-Bent MP740236</p>	<p>Knife MP740237</p>	<p>Dimensions : Millimetres</p>

multicomp PRO

Single and Dual Channel Soldering Rework Stations

Images and Diagram for Replacement Tips used with MP740072 - 150W High-power Soldering Iron



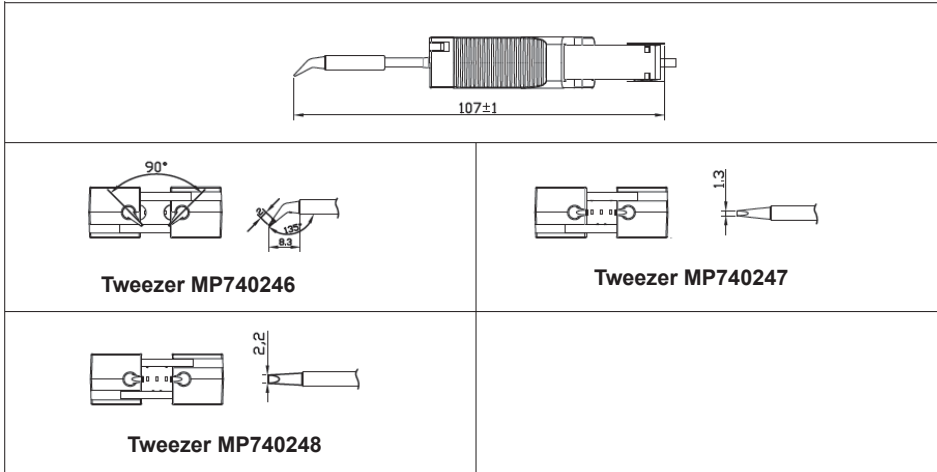
Dimensions : Millimetres

Images and Diagram for Replacement Tips used with MP740073 - 100W Tweezer type Soldering Iron



Single and Dual Channel Soldering Rework Stations

multicomp PRO



Dimensions : Millimetres

Part Number Table

Description	Part Number
Single Channel Soldering Rework Station, 150W, UK/EU Plug	MP740068
Single Channel Soldering Rework Station, 150W, US Plug	MP740149
Dual Channel Soldering Rework Station, 200W, US Plug	MP740150
Dual Channel Soldering Rework Station, 200W, UK/EU Plug	MP740069
50W Mini Soldering Iron	MP740070
130W Soldering Iron	MP740071
150W High Power Soldering Iron	MP740072
100W Tweezer type Soldering Iron	MP740073
Soldering Iron Tip with Integrated Heater, 50W, 1.2mm, Conical for MP740070	MP740218
Soldering Iron Tip with Integrated Heater, 50W, 1.3mm, Chisel for MP740070	MP740219
Soldering Iron Tip with Integrated Heater, 50W, 2.2mm, Chisel for MP740070	MP740220
Soldering Iron Tip with Integrated Heater, 50W, 3mm, Chisel for MP740070	MP740221
Soldering Iron Tip with Integrated Heater, 50W, 0.5mm, Pointed for MP740070	MP740222
Soldering Iron Tip with Integrated Heater, 50W, Knife for MP740070	MP740223
Soldering Iron Tip with Integrated Heater, 130W, 1.2mm, Conical for MP740071	MP740224
Soldering Iron Tip with Integrated Heater, 130W, 2.4mm, Conical for MP740071	MP740225
Soldering Iron Tip with Integrated Heater, 130W, 3.2mm, Conical for MP740071	MP740226
Soldering Iron Tip with Integrated Heater, 130W, 4.6mm, Conical for MP740071	MP740227
Soldering Iron Tip with Integrated Heater, 130W, 1.6mm, Chisel for MP740071	MP740228
Soldering Iron Tip with Integrated Heater, 130W, 2.4mm, Chisel for MP740071	MP740229
Soldering Iron Tip with Integrated Heater, 130W, 3.2mm, Chisel for MP740071	MP740230
Soldering Iron Tip with Integrated Heater, 130W, 4.6mm, Chisel for MP740071	MP740231

Newark.com/multicomp-pro
 Farnell.com/multicomp-pro
 Element14.com/multicomp-pro

multicomp PRO

Single and Dual Channel Soldering Rework Stations

multicomp PRO

Description	Part Number
Soldering Iron Tip with Integrated Heater, 130W, 0.5mm, Pointed for MP740071	MP740232
Soldering Iron Tip with Integrated Heater, 130W, 1mm, Pointed for MP740071	MP740233
Soldering Iron Tip with Integrated Heater, 130W, Knife for MP740071	MP740234
Soldering Iron Tip with Integrated Heater, 130W, 0.5mm, Pointed for MP740071	MP740235
Soldering Iron Tip with Integrated Heater, 130W, 0.4mm, Pointed-Bent for MP740071	MP740236
Soldering Iron Tip with Integrated Heater, 130W, Knife for MP740071	MP740237
Soldering Iron Tip with Integrated Heater, 150W, 3mm, Conical for MP740072	MP740238
Soldering Iron Tip with Integrated Heater, 150W, 5mm, Conical for MP740072	MP740239
Soldering Iron Tip with Integrated Heater, 150W, 6.5mm, Conical for MP740072	MP740240
Soldering Iron Tip with Integrated Heater, 150W, 3.2mm, Chisel for MP740072	MP740241
Soldering Iron Tip with Integrated Heater, 150W, 4.6mm, Chisel for MP740072	MP740242
Soldering Iron Tip with Integrated Heater, 150W, 6.5mm, Chisel for MP740072	MP740243
Soldering Iron Tip with Integrated Heater, 150W, Knife for MP740072	MP740244
Soldering Iron Tip with Integrated Heater, 150W, 1.5mm, Conical for MP740072	MP740245
Soldering Iron Tip with Integrated Heater, 100W, 0.5mm, Tweezer for MP740073	MP740246
Soldering Iron Tip with Integrated Heater, 100W, 1.3mm, Tweezer for MP740073	MP740247
Soldering Iron Tip with Integrated Heater, 100W, 2.2mm, Tweezer for MP740073	MP740248

Important Notice : This data sheet and its contents (the "Information") belong to the members of the AVNET group of companies (the "Group") or are licensed to it. No licence is granted for the use of it other than for information purposes in connection with the products to which it relates. No licence of any intellectual property rights is granted. The Information is subject to change without notice and replaces all data sheets previously supplied. The Information supplied is believed to be accurate but the Group assumes no responsibility for its accuracy or completeness, any error in or omission from it or for any use made of it. Users of this data sheet should check for themselves the Information and the suitability of the products for their purpose and not make any assumptions based on information included or omitted. Liability for loss or damage resulting from any reliance on the Information or use of it (including liability resulting from negligence or where the Group was aware of the possibility of such loss or damage arising) is excluded. This will not operate to limit or restrict the Group's liability for death or personal injury resulting from its negligence. Multicomp Pro is the registered trademark of Premier Farnell Limited 2019.

Newark.com/multicomp-pro
Farnell.com/multicomp-pro
Element14.com/multicomp-pro

multicomp PRO