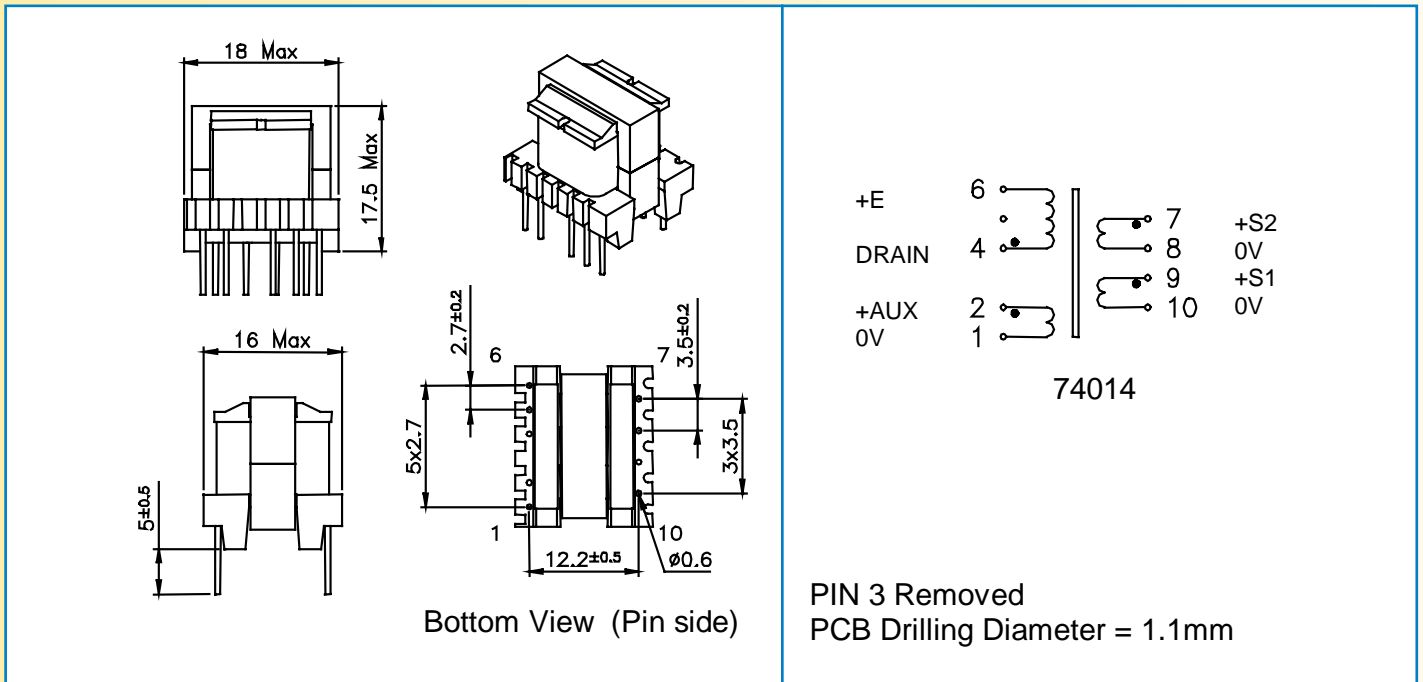




- Primary / Secondary Insulation $\geq 4000V$
- Primary / Auxiliary Insulation $\geq 1500V$
- Creepage distance Primary / Secondary $\geq 6mm$
- Ambient temperature $< 50^{\circ}C$
- Construction conforms to IEC950, IEC335, IEC61558 for reinforced insulation
- Exclusively uses UL94-V0 listed materials



MYRRA P / N	Output Power maximum	Windings					
			Pins	Turns	Voltage	Current maximum	Inductance (+/-10%)
74014	12 w	Pri	4 - 6	120	70 - 140 (VOR)	0.5 Apeak	1800µH
		Aux	2 - 1	17	9 - 18 Vdc	0.2 Adc	
		S1	9 - 10	27	15 - 30 Vdc	0.4 Adc	
		S2	7 - 8	27	15 - 30 Vdc	0.4 Adc	

Typical outputs :
 +24V 0.5A with S1 – S2 in parallel
 +48V 0.25A with S1 – S2 in series (8-9 connected)
 +15V / -15V 0.4A with pins 8-9 connected to 0V

Examples of application with Integrated Circuits :

MYRRA P / N	Control IC Manufacturer	Control IC P / N	Input voltage	Power	Frequency
74014	Power Integrations	TNY266	185 - 265Vrms	12w	
	Power Integrations	TNY266	85 - 265Vrms	8w	
	Power Integrations	TOP242P	185 - 265Vrms	12w	132kHz
	Power Integrations	TOP242P	85 - 265Vrms	8w	132kHz