

CNC5L1X7R1H225K160AE

TDK item description : CNC5L1X7R1H225KT***S

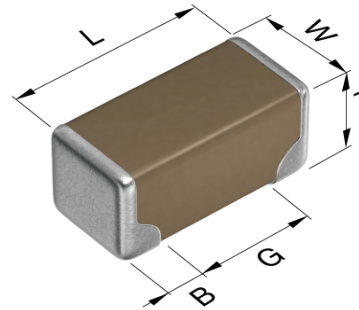


Application & Main Feature

Commercial grade (Soft termination (Low resistance))

Series

CNC5(3216) [EIA 1206]



Dimensions

L	3.20+0.30/-0.20 mm
W	1.60+0.30/-0.20 mm
T	1.60+0.30/-0.20 mm
B	0.30 mm min.
G	1.00 mm min.

Temperature Characteristic

X7R (-55 to +125 degC, ±15%)

Rated Voltage

1H (50Vdc)

Capacitance

2.2µF

Capacitance Tolerance

K (±10%)

Dissipation Factor

5 % max.

Insulation Resistance

227 Mohm min.

AEC-Q200

Not Applicable

