

CNC6P1X7R1H475K250AE

TDK item description : CNC6P1X7R1H475KT***S

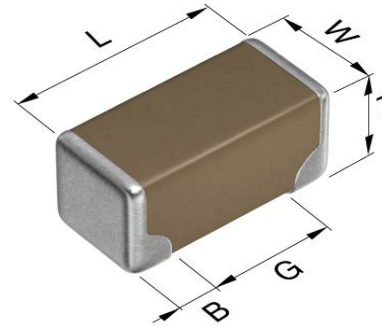


Application & Main Feature

Commercial grade (Soft termination (Low resistance))

Series

CNC6(3225) [EIA 1210]



Dimensions

L 3.20±0.30 mm
 W 2.50±0.30 mm
 T 2.50±0.30 mm
 B 0.50 mm min.
 G ---

Temperature Characteristic

X7R (-55 to +125 degC, ±15%)

Rated Voltage

1H (50Vdc)

Capacitance

4.7µF

Capacitance Tolerance

K (±10%)

Dissipation Factor

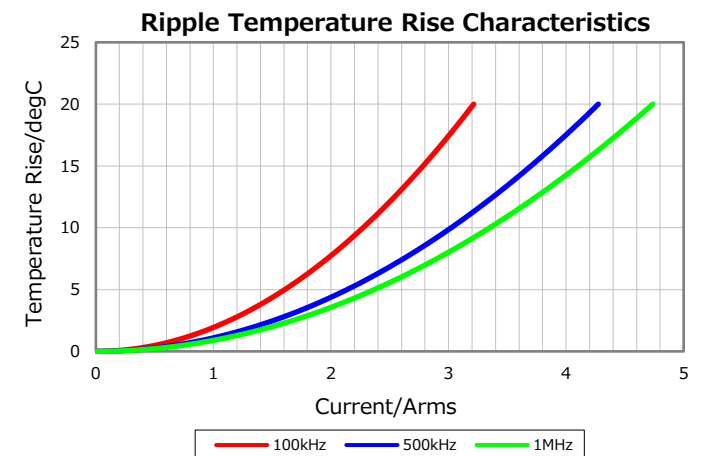
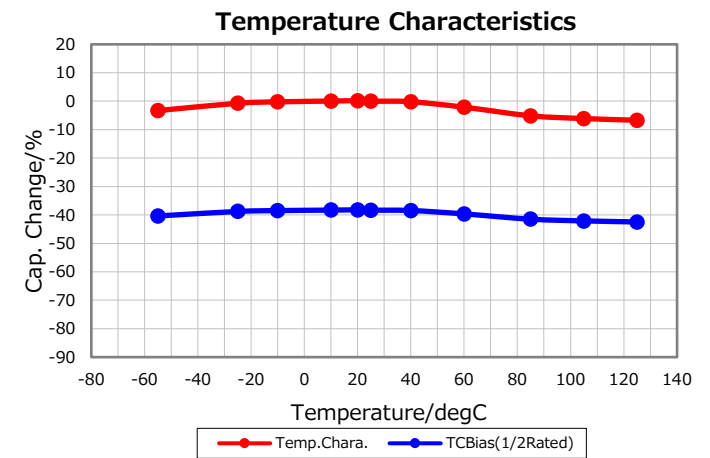
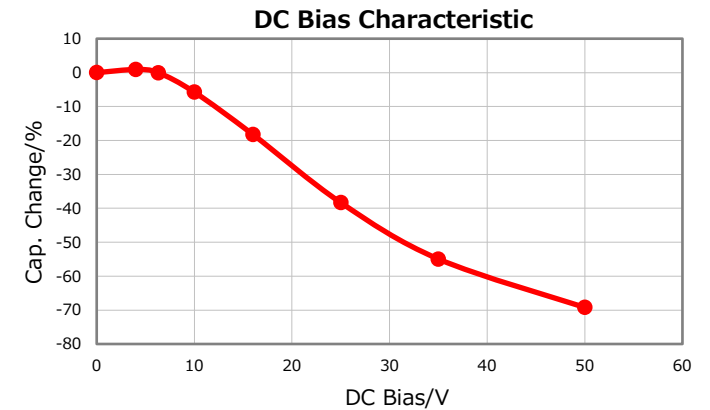
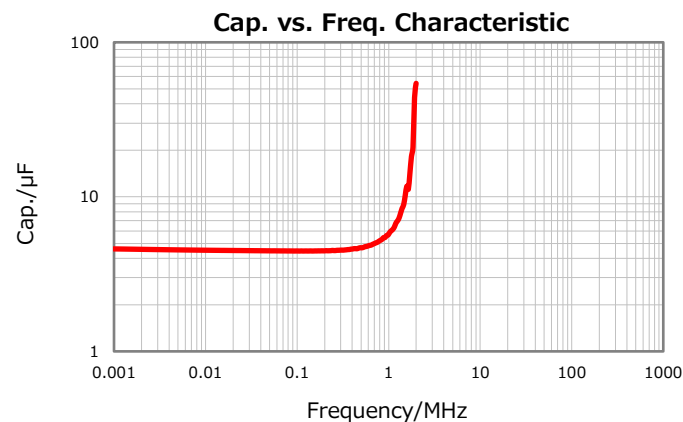
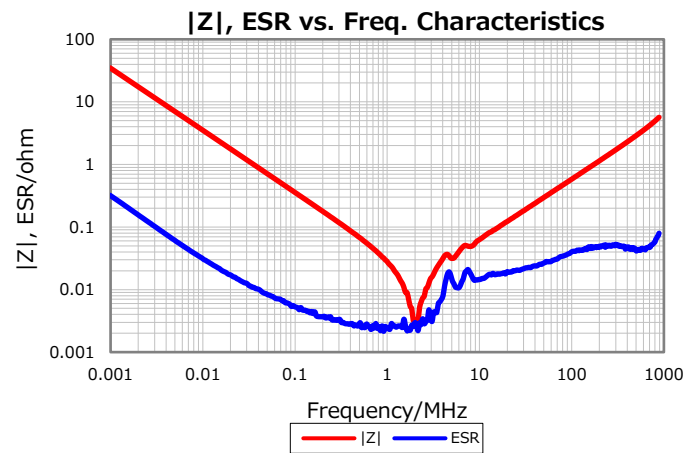
5 % max.

Insulation Resistance

106 Mohm min.

AEC-Q200

Not Applicable



Characterization Sheet (Multilayer Ceramic Chip Capacitors)



All specifications are subject to change without notice.

January 25, 2020