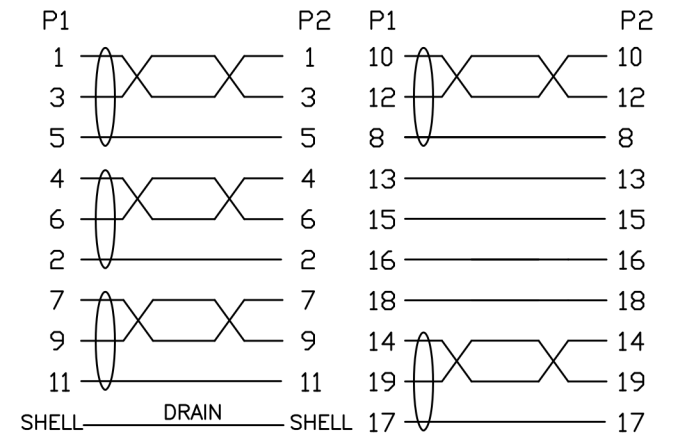


**NOTE:**

- 1.OPEN/SHORT/INTERMITTENCE:100%.
- 2.CONDUCTIVE RESISTANCE:2Ω (MAX)
- 3.RoHS & REACH Compliant
- 4.HDTV:4K\*2K@60Hz

**Pin OUT**



⑦	THUMB SCREW	NICKEL PLATED#4-40*15	2	PCS
⑥	THUMB NUT	NICKEL PLATED#4-40	2	PCS
⑤	MOLDED	45P BLACK PVC		G
④	MOLDED	LD-PE		G
③	CONNECTOR	HDMI A-FEMALE GOLD PLATED WITH BLACK RUBBER COVER	1	PCS
②	CONNECTOR	HDMI A-FEMALE GOLD PLATED	1	PCS
①	CABLE	(7/0.12TC*1P+7/0.12TC+FAM)*5+7/0.12TC*4C+AL+1/0.254BC+B(96/0.12ALM)+BLACK PVC OD:7.3±0.2MM	L	MM
<b>NO.</b>	<b>MATERIAL</b>	<b>DESCRIPTION</b>	<b>QTY.</b>	<b>UNIT</b>

Ltemref	Quantity	Title/Name,designation,material,dimension etc			Article No./Reference
Designed by ALVIN	Checked by HELEN	Approved by - date 04-06-2021	File name	Date 04-06-2021	Scale FREE
ANGLE:				HDMI 2.0 PANEL MOUNT ADAPTOR LEAD 1M	
UNIT:MM				AV28698 PSG3293	Edition 1