

## VOLTAGE-TO-FREQUENCY/FREQUENCY-TO-VOLTAGE CONVERTERS

### FEATURES

#### Voltage-to-Frequency

- Choice of Guaranteed Linearity:
  - TC9401 ..... 0.01%
  - TC9400 ..... 0.05%
  - TC9402 ..... 0.25%
- DC to 100 kHz (F/V) or 1Hz to 100kHz (V/F)
- Low Power Dissipation ..... 27mW Typ
- Single/Dual Supply Operation .....
  - + 8V to + 15V or ± 4V to ± 7.5V
- Gain Temperature Stability ..... ± 25 ppm/°C Typ.
- Programmable Scale Factor

#### Frequency-to-Voltage

- Operation ..... DC to 100kHz
- Choice of Guaranteed Linearity:
  - TC9401 ..... 0.02%
  - TC9400 ..... 0.05%
  - TC9402 ..... 0.25%
- Programmable Scale Factor

### APPLICATIONS

- $\mu$ P Data Acquisition
- 13-Bit Analog-to-Digital Converters
- Analog Data Transmission and Recording
- Phase-Locked Loops
- Frequency Meters/Tachometer
- Motor Control
- FM Demodulation

### GENERAL DESCRIPTION

The TC9400/TC9401/TC9402 are low-cost voltage-to-frequency (V/F) converters utilizing low power CMOS technology. The converters accept a variable analog input signal and generate an output pulse train whose frequency is linearly proportional to the input voltage.

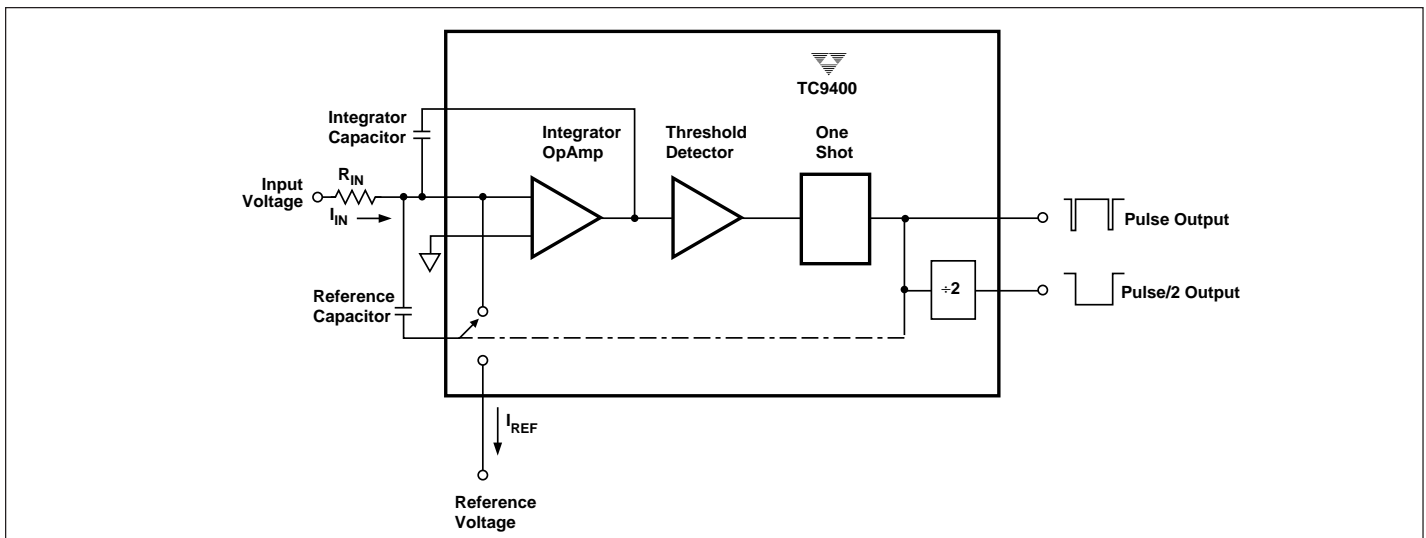
The devices can also be used as highly-accurate frequency-to-voltage (F/V) converters, accepting virtually any input frequency waveform and providing a linearly-proportional voltage output.

A complete V/F or F/V system only requires the addition of two capacitors, three resistors, and reference voltage.

### ORDERING INFORMATION

Part No.	Linearity (V/F)	Package	Temperature Range
TC9400COD	0.05%	14-Pin SOIC (Narrow)	0°C to +70°C
TC9400CPD	0.05%	14-Pin Plastic DIP	0°C to +70°C
TC9400EJD	0.05%	14-Pin CerDIP	- 40°C to +85°C
TC9401CPD	0.01%	14-Pin Plastic DIP	0°C to +70°C
TC9401EJD	0.01%	14-Pin CerDIP	- 40°C to +85°C
TC9402CPD	0.25%	14-Pin Plastic DIP	0°C to +70°C
TC9402EJD	0.25%	14-Pin CerDIP	- 40°C to +85°C

### FUNCTIONAL BLOCK DIAGRAM



# VOLTAGE-TO-FREQUENCY/ FREQUENCY-TO-VOLTAGE CONVERTERS

**TC9400  
TC9401  
TC9402**

## ABSOLUTE MAXIMUM RATINGS\*

$V_{DD} - V_{SS}$ .....	+18V
$I_{IN}$ .....	10mA
$V_{OUT}$ Max $-V_{OUT}$ Common .....	23V
$V_{REF} - V_{SS}$ .....	-1.5V
Storage Temperature Range .....	-65°C to +150°C
Operating Temperature Range	
C Device .....	0°C to +70°C
E Device .....	-40°C to +85°C
Package Dissipation ( $T_A \leq 70^\circ\text{C}$ )	
8-Pin CerDIP .....	800mW
8-Pin Plastic DIP .....	730mW
8-Pin SOIC .....	470mW
Lead Temperature (Soldering, 10 sec) .....	+300°C

\*Static-sensitive device. Unused devices must be stored in conductive material. Protect devices from static discharge and static fields. Stresses above those listed under Absolute Maximum Ratings may cause permanent damage to the device. These are stress ratings only and functional operation of the device at these or any other conditions above those indicated in the operational sections of the specifications is not implied. Exposure to Absolute Maximum Rating Conditions for extended periods may affect device reliability.

**ELECTRICAL CHARACTERISTICS:**  $V_{DD} = +5V$ ,  $V_{SS} = -5V$ ,  $V_{GND} = 0V$ ,  $V_{REF} = -5V$ ,  $R_{BIAS} = 100k\Omega$ , Full Scale = 10kHz, unless otherwise specified.  $T_A = +25^\circ\text{C}$ , unless temperature range is specified (-40°C to +85°C for E device, 0°C to +70°C for C device).

VOLTAGE-TO-FREQUENCY Parameter      Definition		TC9401			TC9400			TC9402			Unit
		Min	Typ	Max	Min	Typ	Max	Min	Typ	Max	
<b>Accuracy</b>											
Linearity 10 kHz	Output Deviation From Straight Line Between Normalized Zero and Full-Scale Input	—	0.004	0.01	—	0.01	0.05	—	0.05	0.25	% Full Scale
Linearity 100 kHz	Output Deviation From Straight Line Between Normalized Zero Reading and Full-Scale Input	—	0.04	0.08	—	0.1	0.25	—	0.25	0.5	% Full Scale
Gain Temperature Drift (Note 1)	Variation in Gain A Due to Temperature Change	—	± 25	± 40	—	± 25	± 40	—	± 50	± 100	ppm/°C Full Scale
Gain Variance	Variation From Ideal Accuracy	—	± 10	—	—	± 10	—	—	± 10	—	% of Nominal
Zero Offset (Note 2)	Correction at Zero Adjust for Zero Output When Input is Zero	—	± 10	± 50	—	± 10	± 50	—	± 20	± 100	mV
Zero Temperature Drift (Note 1)	Variation in Zero Offset Due to Temperature Change	—	± 25	± 50	—	± 25	± 50	—	± 50	± 100	μV/°C
<b>Analog Input</b>											
$I_{IN}$ Full Scale	Full-Scale Analog Input Current to Achieve Specified Accuracy	—	10	—	—	10	—	—	10	—	μA
$I_{IN}$ Overrange	Overtime Current	—	—	50	—	—	50	—	—	50	μA
Response Time	Settling Time to 0.1% Full Scale	—	2	—	—	2	—	—	2	—	Cycle
<b>Digital Section</b>											
$V_{SAT}$ @ $I_{OL} = 10\text{mA}$	Logic "0" Output Voltage (Note 3)	—	0.2	0.4	—	0.2	0.4	—	0.2	0.4	V
$V_{OUT}$ Max $-V_{OUT}$ Common (Note 4)	Voltage Range Between Output and Common	—	—	18	—	—	18	—	—	18	V
Pulse Frequency		—	3	—	—	3	—	—	3	—	μsec
Output Width		—	—	—	—	—	—	—	—	—	—

# VOLTAGE-TO-FREQUENCY/ FREQUENCY-TO-VOLTAGE CONVERTERS

**TC9400**  
**TC9401**  
**TC9402**

**ELECTRICAL CHARACTERISTICS: (Cont.)**  $V_{DD} = +5V$ ,  $V_{SS} = -5V$ ,  $V_{GND} = 0$ ,  $V_{REF} = -5V$ ,  $R_{BIAS} = 100k\Omega$ , Full Scale = 10kHz, unless otherwise specified.  $T_A = +25^\circ C$ , unless temperature range is specified  $-40^\circ C$  to  $+85^\circ C$  for E device,  $0^\circ C$  to  $+70^\circ C$  for C device.

FREQUENCY-TO-VOLTAGE		TC9401			TC9400			TC9402			Unit
Parameter	Definition	Min	Typ	Max	Min	Typ	Max	Min	Typ	Max	
<b>Supply Current</b>											
$I_{DD}$ Quiescent (Note 5)	Current Required From Positive Supply During Operation	—	1.5	6	—	1.5	6	—	3	10	mA
$I_{SS}$ Quiescent (Note 5)	Current Required From Negative Supply During Operation	—	-1.5	-6	—	-1.5	-6	—	-3	-10	mA
$V_{DD}$ Supply	Operating Range of Positive Supply	4	—	7.5	4	—	7.5	4	—	7.5	V
$V_{SS}$ Supply	Operating Range of Negative Supply	-4	—	-7.5	-4	—	-7.5	-4	—	-7.5	V
<b>Reference Voltage</b>											
$V_{REF} - V_{SS}$	Range of Voltage Reference Input	-2.5	—	—	-2.5	—	—	-2.5	—	—	V
<b>Accuracy</b>											
Nonlinearity (Note 10)	Deviation From Ideal Transfer Function as a Percentage Full-Scale Voltage	—	0.01	0.02	—	0.02	0.05	—	0.05	0.25	% Full Scale
Input Frequency Range (Note 7 and 8)	Frequency Range for Specified Nonlinearity	10	—	100k	10	—	100k	10	—	100k	Hz
<b>Frequency Input</b>											
Positive Excursion	Voltage Required to Turn Threshold Detector On	0.4	—	$V_{DD}$	0.4	—	$V_{DD}$	0.4	—	$V_{DD}$	V
Negative Excursion	Voltage Required to Turn Threshold Detector Off	-0.4	—	-2	-0.4	—	-2	-0.4	—	-2	V
Minimum Positive Pulse Width (Note 8)	Time Between Threshold Crossings	—	5	—	—	5	—	—	5	—	$\mu$ sec
Minimum Negative Pulse Width (Note 8)	Time Between Threshold Crossings	—	0.5	—	—	0.5	—	—	0.5	—	$\mu$ sec
Input Impedance		—	10	—	—	10	—	—	10	—	M $\Omega$
<b>Analog Outputs</b>											
Output Voltage (Note 9)	Voltage Range of Op Amp Output for Specified Nonlinearity	—	$V_{DD} - 1$	—	—	$V_{DD} - 1$	—	—	$V_{DD} - 1$	—	V
Output Loading	Resistive Loading at Output of Op Amp	2	—	—	2	—	—	2	—	—	k $\Omega$
<b>Supply Current</b>											
$I_{DD}$ Quiescent (Note 10)	Current Required From Positive Supply During Operation	—	1.5	6	—	1.5	6	—	3	10	mA
$I_{SS}$ Quiescent (Note 10)	Current Required From Negative Supply During Operation	—	-1.5	-6	—	-1.5	-6	—	-3	-10	mA
$V_{DD}$ Supply	Operating Range of Positive Supply	4	—	7.5	4	—	7.5	4	—	7.5	V
$V_{SS}$ Supply	Operating Range of Negative Supply	-4	—	-7.5	-4	—	-7.5	-4	—	-7.5	V
<b>Reference Voltage</b>											
$V_{REF} - V_{SS}$	Range of Voltage Reference Input	-2.5	—	—	-2.5	—	—	-2.5	—	—	V

**NOTES:**

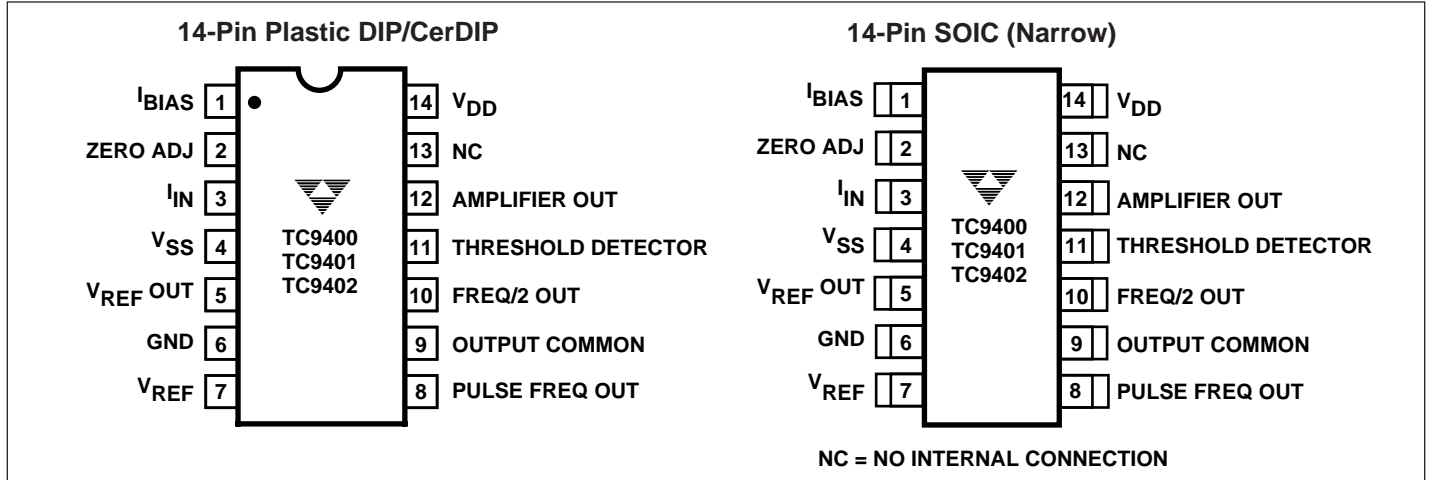
1. Full temperature range. Guaranteed, Not Tested.
2.  $I_{IN} = 0$ .
3. Full temperature range,  $I_{OUT} = 10mA$ .
4.  $I_{OUT} = 10\mu A$ .
5. Threshold Detect = 5V, Amp Out = 0V, Full Temperature Range

6. 10Hz to 100kHz.; Guaranteed, Not Tested
7. 5 $\mu$ sec minimum positive pulse width and 0.5  $\mu$ sec minimum negative pulse width.
8.  $t_R = t_F = 20nsec$ .
9.  $R_L \geq 2k\Omega$ .; Tested @ 10k $\Omega$
10. Full temperature range,  $V_{IN} = -0.1V$ .

# VOLTAGE-TO-FREQUENCY/ FREQUENCY-TO-VOLTAGE CONVERTERS

TC9400  
TC9401  
TC9402

## PIN CONFIGURATIONS



## PIN DESCRIPTIONS

Pin No.	Symbol	Description
1	$I_{BIAS}$	This pin sets bias current in the TC9400. Connect to $V_{SS}$ through a 100 k $\Omega$ resistor. See text.
2	Zero Adj	Low frequency adjustment input. See text.
3	$I_{IN}$	Input current connection for the V/F converter.
4	$V_{SS}$	Negative power supply voltage connection, typically -5V.
5	$V_{REF OUT}$	Reference capacitor connection.
6	GND	Analog ground.
7	$V_{REF}$	Voltage reference input, typically -5V.
8	Pulse Freq Out	Frequency output. This open drain output will pulse LOW each time the Freq threshold detector limit is reached. The pulse rate is proportional to input voltage.
9	Output Common	Source connection for the open drain output FETs. See text.
10	Freq/2 Out	This open drain output is a square wave at one half the frequency of the pulse output (pin 8). Output transitions of this pin occur on the rising edge of pin 8.
11	Threshold Detect	Input to the threshold detector. This pin is the frequency input during F/V operation.
12	Amplifier Out	Output of the integrator amplifier.
13	NC	No internal connection
14	$V_{DD}$	Positive power supply connection, typically +5V.

# VOLTAGE-TO-FREQUENCY/ FREQUENCY-TO-VOLTAGE CONVERTERS

TC9400  
TC9401  
TC9402

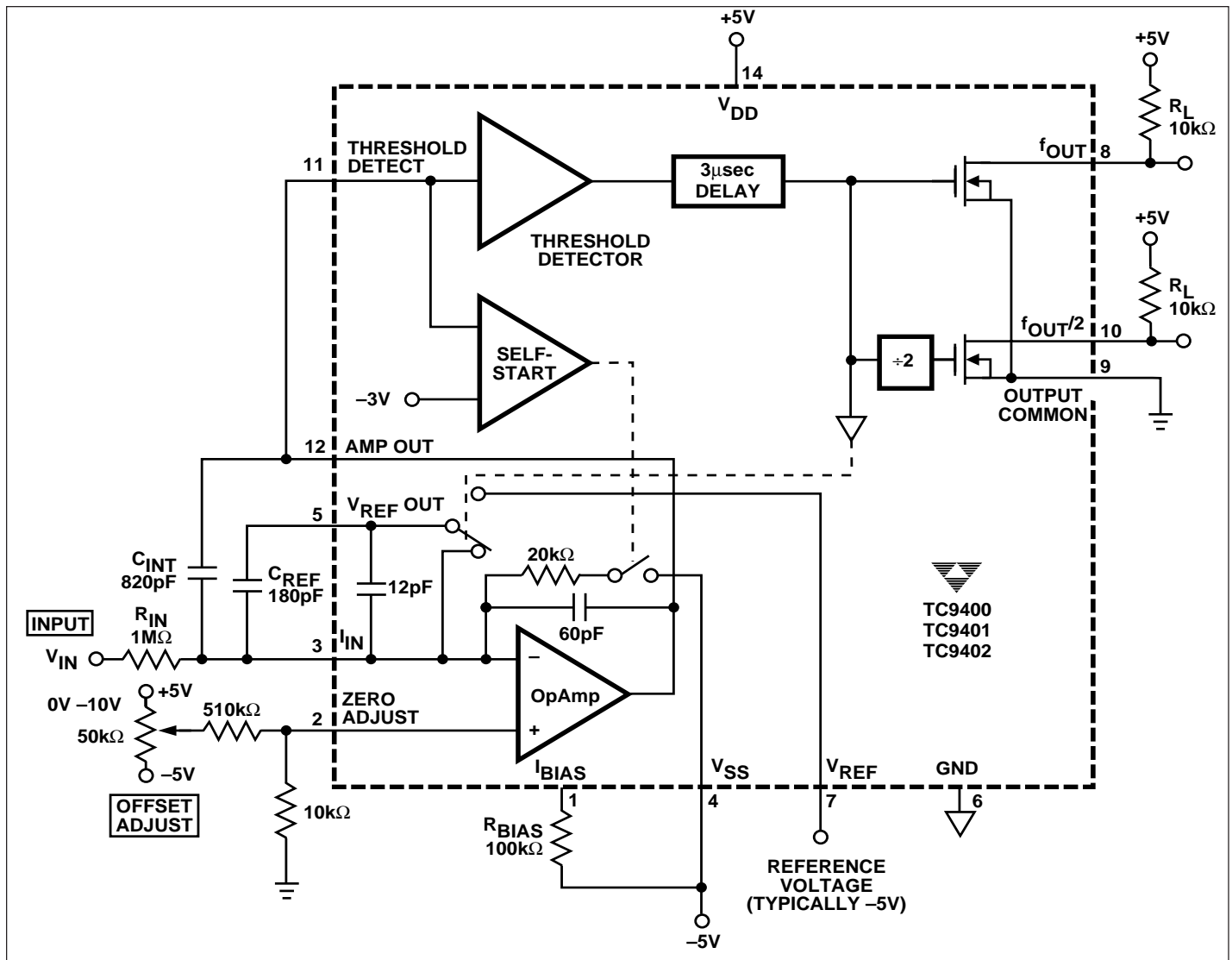


Figure 1. 10 Hz to 10 kHz V/F Converter

## VOLTAGE-TO-FREQUENCY (V/F) CIRCUIT DESCRIPTION

The TC9400 V/F converter operates on the principal of charge balancing. The operation of the TC9400 is easily understood by referring to Figure 1. The input voltage ( $V_{IN}$ ) is converted to a current ( $I_{IN}$ ) by the input resistor. This current is then converted to a charge on the integrating capacitor and shows up as a linearly decreasing voltage at the output of the op amp. The lower limit of the output swing is set by the threshold detector, which causes the reference voltage to be applied to the reference capacitor for a time period long enough to charge the capacitor to the reference voltage. This action reduces the charge on the integrating capacitor by a fixed amount ( $q = C_{REF} \times V_{REF}$ ), causing the op amp output to step up a finite amount.

At the end of the charging period,  $C_{REF}$  is shorted out. This dissipates the charge stored on the reference capacitor, so that when the output again crosses zero the system is ready to recycle. In this manner, the continued discharging of the integrating capacitor by the input is balanced out by fixed charges from the reference voltage. As the input voltage is increased, the number of reference pulses required to maintain balance increases, which causes the output frequency to also increase. Since each charge increment is fixed, the increase in frequency with voltage is linear. In addition, the accuracy of the output pulse width does not directly affect the linearity of the V/F. The pulse must simply be long enough for full charge transfer to take place.

# VOLTAGE-TO-FREQUENCY/ FREQUENCY-TO-VOLTAGE CONVERTERS

TC9400  
TC9401  
TC9402

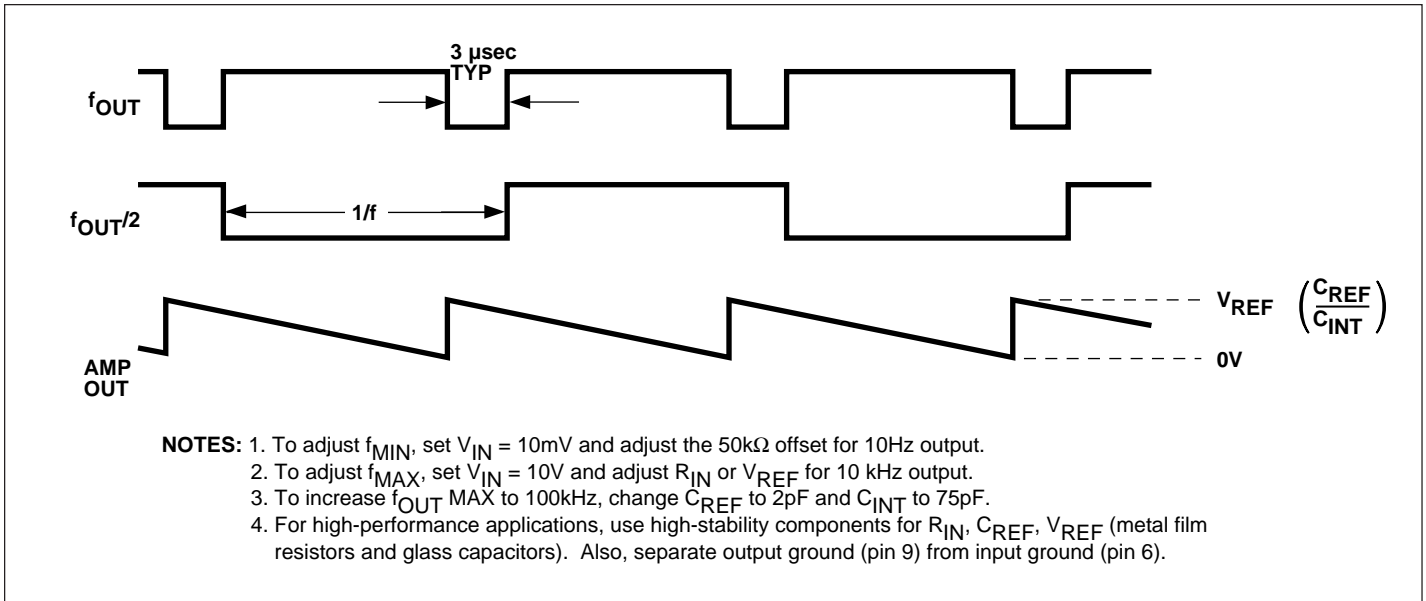


Figure 2 . Output Waveforms

The TC9400 contains a "self-start" circuit to ensure the V/F converter always operates properly when power is first applied. In the event that, during power-on, the Op amp output is below the threshold and  $C_{REF}$  is already charged, a positive voltage step will not occur. The op-amp output will continue to decrease until it crosses the  $-3.0\text{V}$  threshold of the "self-start" comparator. When this happens, an internal resistor is connected to the op-amp input, which forces the output to go positive until the TC9400 is in its normal operating mode.

The TC9400 utilizes low power CMOS processing for low input bias and offset currents with very low power dissipation. The open-drain N-channel output FETs provide high voltage and high current sink capability.

## VOLTAGE-TO-TIME MEASUREMENTS

The TC9400 output can be measured in the time domain as well as the frequency domain. Some microcomputers, for example, have extensive timing capability but limited counter capability. Also, the response time of a time domain measurement is only the period between two output pulses, while the frequency measurement must accumulate pulses during the entire counter timebase period.

Time measurements can be made from either the TC9400's Pulse Freq Out output or from the Freq/2 output. The Freq/2 output changes state on the rising edge of Pulse Freq Out, so Freq/2 is a symmetrical square wave at one half the pulse output frequency. Timing measurements can therefore be made between successive Pulse Freq Out pulses, or while Freq/2 is high (or low).

## PIN FUNCTIONS

### Threshold Detector Input

In the V/F mode, this input is connected to the amplifier output (pin 12) and triggers a  $3\ \mu\text{sec}$  pulse when the input voltage passes through its threshold. In the F/V mode, the input frequency is applied to this input.

The nominal threshold of the detector is halfway between the power supplies, or  $(V_{DD} + V_{SS})/2 \pm 400\text{mV}$ . The TC9400's charge balancing V/F technique is not dependent on a precision comparator threshold, because the threshold only sets the lower limit of the op-amp output. The op-amp's peak-to-peak output swing, which determines the frequency, is only influenced by external capacitors and by  $V_{REF}$ .

### Pulse Freq Out

This output is an open-drain N-channel FET which provides a pulse waveform whose frequency is proportional to the input voltage. This output requires a pull-up resistor and interfaces directly with MOS, CMOS, and TTL logic.

### Freq/2 Out

This output is an open-drain N-channel FET which provides a square wave one-half the frequency of the pulse frequency output. The Freq/2 output will change state on the rising edge of Pulse Freq Out. This output requires a pull-up resistor and interfaces directly with MOS, CMOS, and TTL logic.

## Output Common

The sources of both the Freq/2 out and the Pulse Freq Out are connected to this pin. An output level swing from the drain voltage to ground or to the  $V_{SS}$  supply may be obtained by connecting this pin to the appropriate point.

## $R_{BIAS}$

An external resistor, connected to  $V_{SS}$ , sets the bias point for the TC9400. Specifications for the TC9400 are based on  $R_{BIAS} = 100k\Omega \pm 10\%$ , unless otherwise noted.

Increasing the maximum frequency of the TC9400 beyond 100kHz is limited by the pulse width of the Pulse Output (typically 3 $\mu$ sec). Reducing  $R_{BIAS}$  will decrease the pulse width and increase the maximum operating frequency, but linearity errors will also increase.  $R_{BIAS}$  can be reduced to 20k $\Omega$ , which will typically produce a maximum full scale frequency of 500kHz.

## Amplifier Out

The output stage of the operational amplifier. During V/F operation, a negative-going ramp signal is available at this pin. In the F/V mode, a voltage proportional to the frequency input is generated.

## Zero Adjust

This pin is the noninverting input of the operational amplifier. The low-frequency set point is determined by adjusting the voltage at this pin.

## $I_{IN}$

The inverting input of the operational amplifier and the summing junction when connected in the V/F mode. An input current of 10 $\mu$ A is specified, but an overrange current up to 50 $\mu$ A can be used without detrimental effect to the circuit operation.  $I_{IN}$  connects the summing junction of an operational amplifier. Voltage sources cannot be attached directly, but must be buffered by external resistors.

## $V_{REF}$

A reference voltage from either a precision source or the  $V_{SS}$  supply is applied to this pin. Accuracy of the TC9400 is dependent on the voltage regulation and temperature characteristics of the reference circuitry.

Since the TC9400 is a charge balancing V/F converter, the reference current will be equal to the input current. For this reason, the DC impedance of the reference voltage source must be kept low enough to prevent linearity errors. For linearity of 0.01%, a reference impedance of 200 $\Omega$  or less is recommended. A 0.1 $\mu$ F bypass capacitor should be connected from  $V_{REF}$  to ground.

## $V_{REF}$ Out

The charging current for  $C_{REF}$  is supplied through this pin. When the op amp output reaches the threshold level, this pin is internally connected to the reference voltage and a charge, equal to  $V_{REF} \times C_{REF}$ , is removed from the integrator capacitor. After about 3  $\mu$ sec, this pin is internally connected to the summing junction of the op amp to discharge  $C_{REF}$ . Break-before-make switching ensures that the reference voltage is not directly applied to the summing junction.

## V/F CONVERTER DESIGN INFORMATION

### Input/Output Relationships

The output frequency ( $f_{OUT}$ ) is related to the analog input voltage ( $V_{IN}$ ) by the transfer equation:

$$\text{Frequency out} = \frac{V_{IN}}{R_{IN}} \times \frac{1}{(V_{REF})(C_{REF})}$$

### External Component Selection

#### $R_{IN}$

The value of this component is chosen to give a full-scale input current of approximately 10 $\mu$ A:

$$R_{IN} \cong \frac{V_{IN} \text{ Full Scale}}{10\mu A}$$

Example:  $R_{IN} \cong \frac{10V}{10\mu A} = 1M\Omega$ .

Note that the value is an approximation and the exact relationship is defined by the transfer equation. In practice, the value of  $R_{IN}$  typically would be trimmed to obtain full-scale frequency at  $V_{IN}$  full scale (see "Adjustment Procedure"). Metal film resistors with 1% tolerance or better are recommended for high-accuracy applications because of their thermal stability and low-noise generation.

#### $C_{INT}$

The exact value is not critical but is related to  $C_{REF}$  by the relationship:

$$3C_{REF} \leq C_{INT} \leq 10 C_{REF}$$

Improved stability and linearity are obtained when  $C_{INT} \leq 4C_{REF}$ . Low-leakage types are recommended, although mica and ceramic devices can be used in applications where their temperature limits are not exceeded. Locate as close as possible to pins 12 and 13.

**TC9400**  
**TC9401**  
**TC9402**

### $C_{REF}$

The exact value is not critical and may be used to trim the full-scale frequency (see "Input/Output Relationships"). Glass film or air trimmer capacitors are recommended because of their stability and low leakage. Locate as close as possible to pins 5 and 3.

### $V_{DD}$ , $V_{SS}$

Power supplies of  $\pm 5V$  are recommended. For high-accuracy requirements, 0.05% line and load regulation and 0.1 $\mu F$  disc decoupling capacitors located near the pins are recommended.

## Adjustment Procedure

Figure 1 shows a circuit for trimming the zero location. Full scale may be trimmed by adjusting  $R_{IN}$ ,  $V_{REF}$ , or  $C_{REF}$ . Recommended procedure for a 10kHz full-scale frequency is as follows:

- (1) Set  $V_{IN}$  to 10 mV and trim the zero adjust circuit to obtain a 10Hz output frequency.
- (2) Set  $V_{IN}$  to 10V and trim either  $R_{IN}$ ,  $V_{REF}$ , or  $C_{REF}$  to obtain a 10kHz output frequency.

If adjustments are performed in this order, there should be no interaction and they should not have to be repeated.

## Improved Single Supply V/F Converter Operation

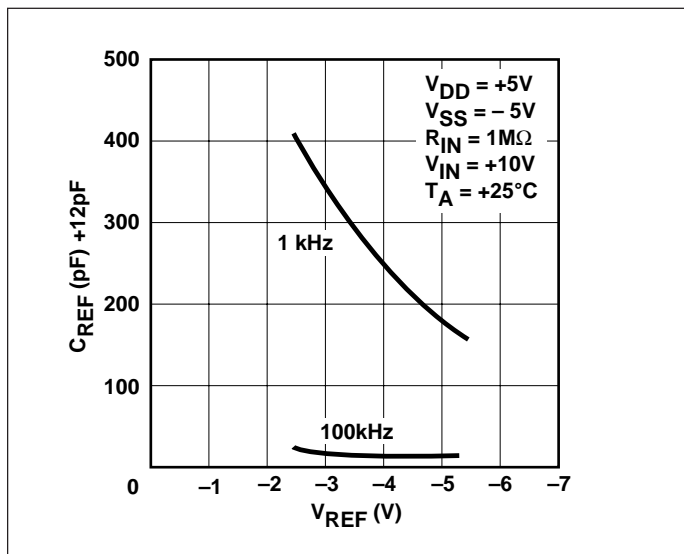


Figure 3. Recommended  $C_{REF}$  VS  $V_{REF}$



# VOLTAGE-TO-FREQUENCY/ FREQUENCY-TO-VOLTAGE CONVERTERS

TC9400  
TC9401  
TC9402

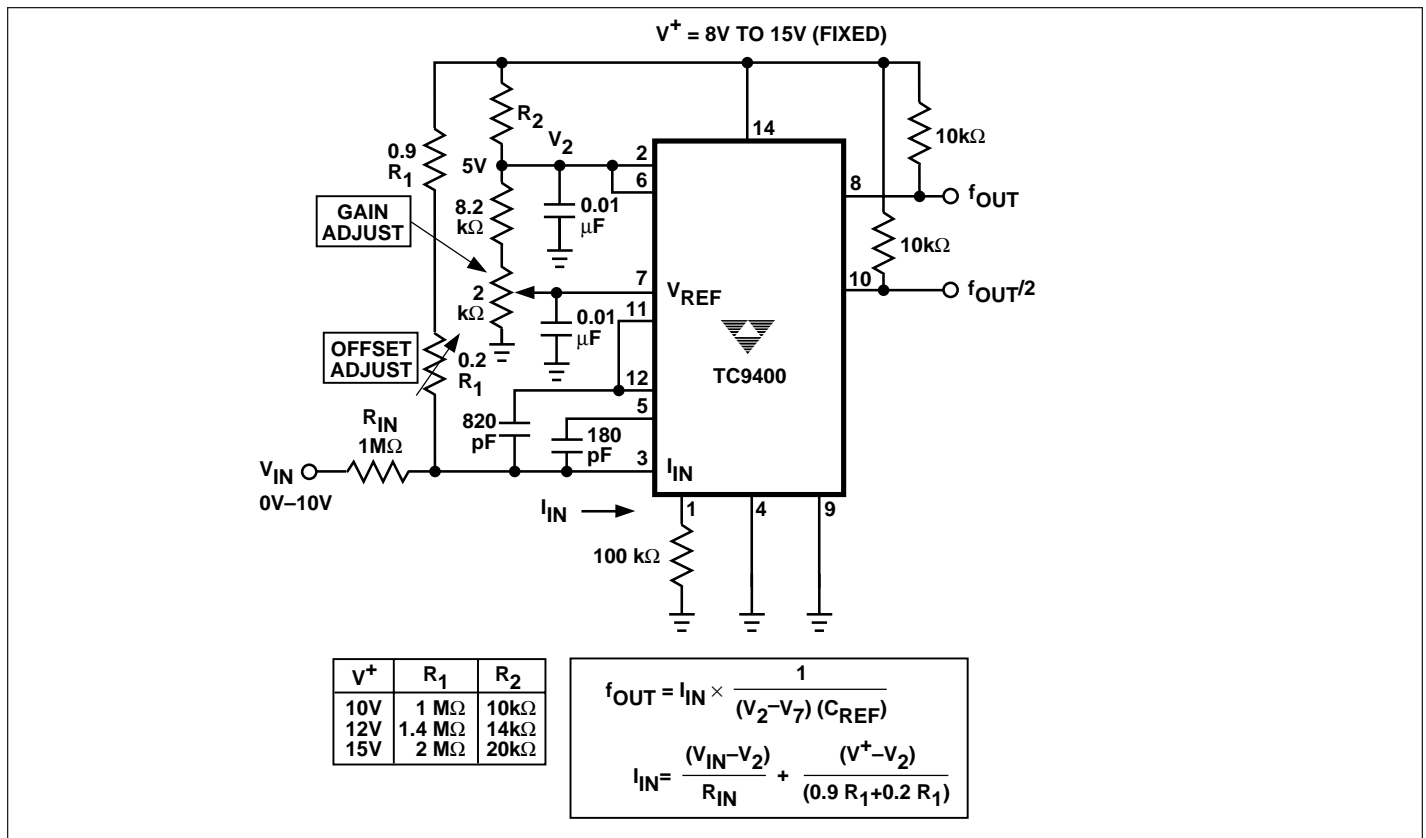


Figure 4. Fixed Voltage — Single Supply Operation

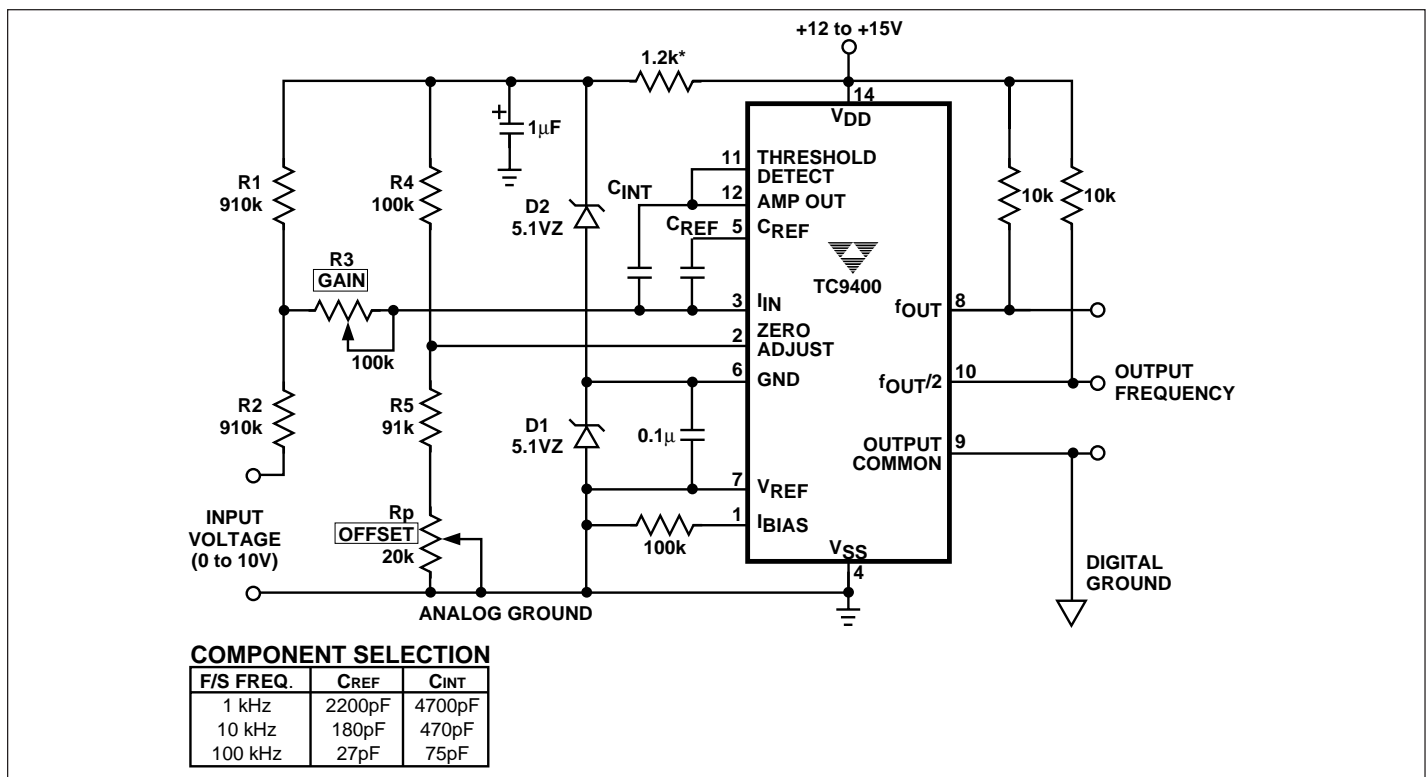


Figure 5. Voltage to Frequency

**TC9400**  
**TC9401**  
**TC9402**

## FREQUENCY-TO-VOLTAGE (F/V) CIRCUIT DESCRIPTION

When used as an F/V converter, the TC9400 generates an output voltage linearly proportional to the input frequency waveform.

Each zero crossing at the threshold detector's input causes a precise amount of charge ( $q = C_{REF} \times V_{REF}$ ) to be dispensed into the op amp's summing junction. This charge in turn flows through the feedback resistor, generating voltage pulses at the output of the op amp. A capacitor ( $C_{INT}$ ) across  $R_{INT}$  averages these pulses into a DC voltage which is linearly proportional to the input frequency.

## F/V CONVERTER DESIGN INFORMATION

### Input/Output Relationships

The output voltage is related to the input frequency ( $f_{IN}$ ) by the transfer equation:

$$V_{OUT} = [V_{REF} C_{REF} R_{INT}] f_{IN}$$

The response time to a change in  $f_{IN}$  is equal to  $(R_{INT} C_{INT})$ . The amount of ripple on  $V_{OUT}$  is inversely proportional to  $C_{INT}$  and the input frequency.

$C_{INT}$  can be increased to lower the ripple. Values of  $1\mu\text{F}$  to  $100\mu\text{F}$  are perfectly acceptable for low frequencies.

When the TC9400 is used in the single-supply mode,  $V_{REF}$  is defined as the voltage difference between pin 7 and pin 2.

### Input Voltage Levels

The input frequency is applied to the Threshold Detector input (Pin 11). As discussed in the V/F circuit section of this data sheet, the threshold of pin 11 is approximately  $(V_{DD} + V_{SS})/2 \pm 400\text{mV}$ . Pin 11's input voltage range extends from  $V_{DD}$  to about 2.5 V below the threshold. If the voltage on pin 11 goes more than 2.5 volts below the threshold, the V/F mode startup comparator will turn on and corrupt the output voltage. The Threshold Detector input has about 200 mV of hysteresis.

In  $\pm 5\text{ V}$  applications, the input voltage levels for the TC9400 are  $\pm 400\text{mV}$ , minimum. If the frequency source being measured is unipolar, such as TTL or CMOS operating from a +5V source, then an AC coupled level shifter should be used. One such circuit is shown in Figure 6a.

The level shifter circuit in Figure 6b can be used in single supply F/V applications. The resistor divider ensures that the input threshold will track the supply voltages. The diode clamp prevents the input from going far enough in the negative direction to turn on the startup comparator. The diode's forward voltage decreases by  $2.1\text{ mV}/^\circ\text{C}$ , so for high ambient temperature operation two diodes in series are recommended.

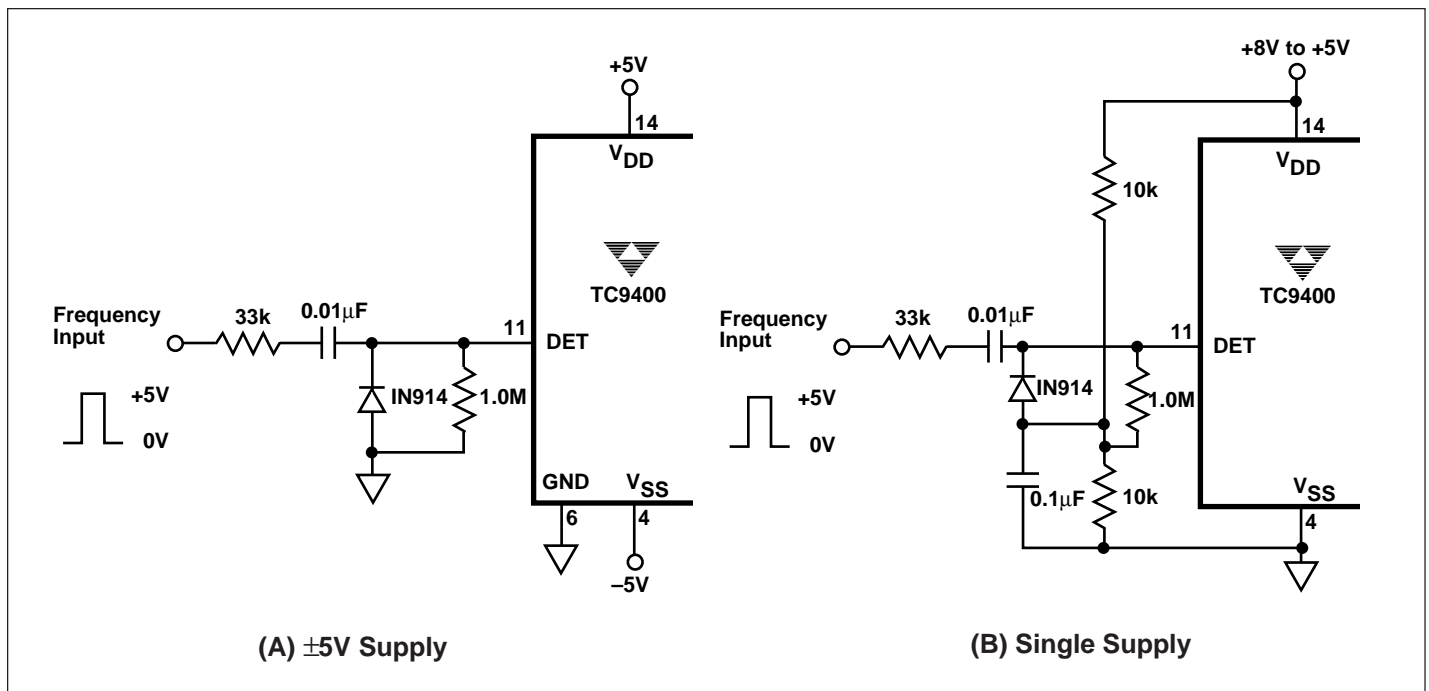


Figure 6. Frequency Input Level Shifter

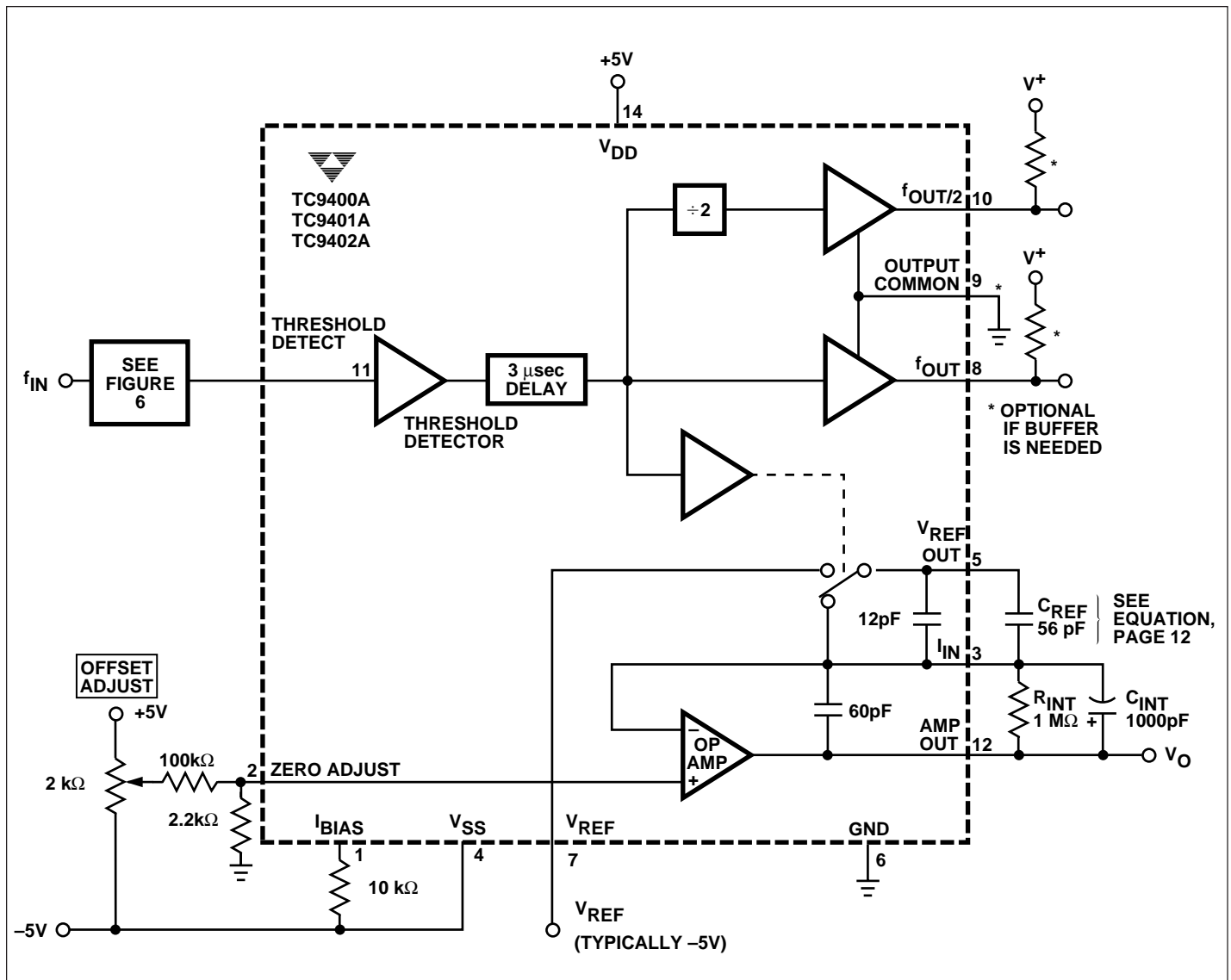


Figure 7. DC — 10 kHz F/V Converter

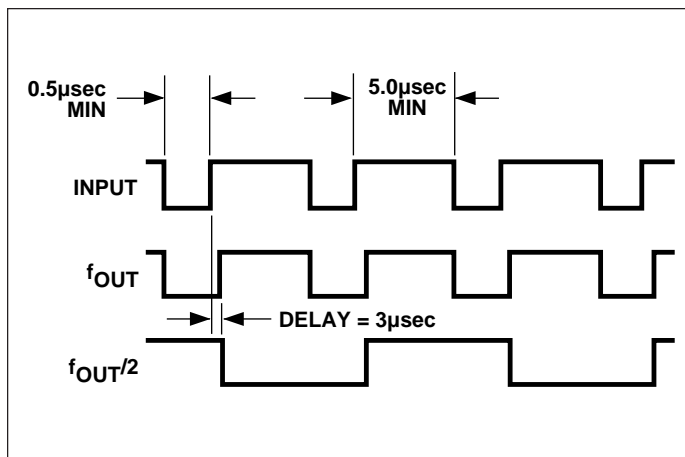


Figure 8. F/V Digital Outputs

### Input Buffer

$f_{OUT}$  and  $f_{OUT}/2$  are not used in the F/V mode. However, these outputs may be useful for some applications, such as a buffer to feed additional circuitry. Then,  $f_{OUT}$  will follow the input frequency waveform, except that  $f_{OUT}$  will go high 3 μsec after  $f_{IN}$  goes high;  $f_{OUT}/2$  will be squarewave with a frequency of one-half  $f_{OUT}$ .

If these outputs are not used, pins 8, 9 and 10 should be connected to ground.

# VOLTAGE-TO-FREQUENCY/ FREQUENCY-TO-VOLTAGE CONVERTERS

TC9400  
TC9401  
TC9402

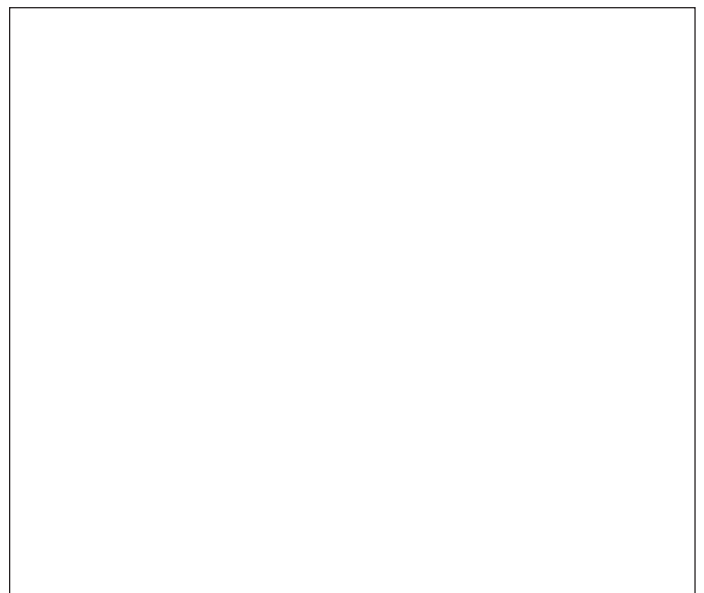
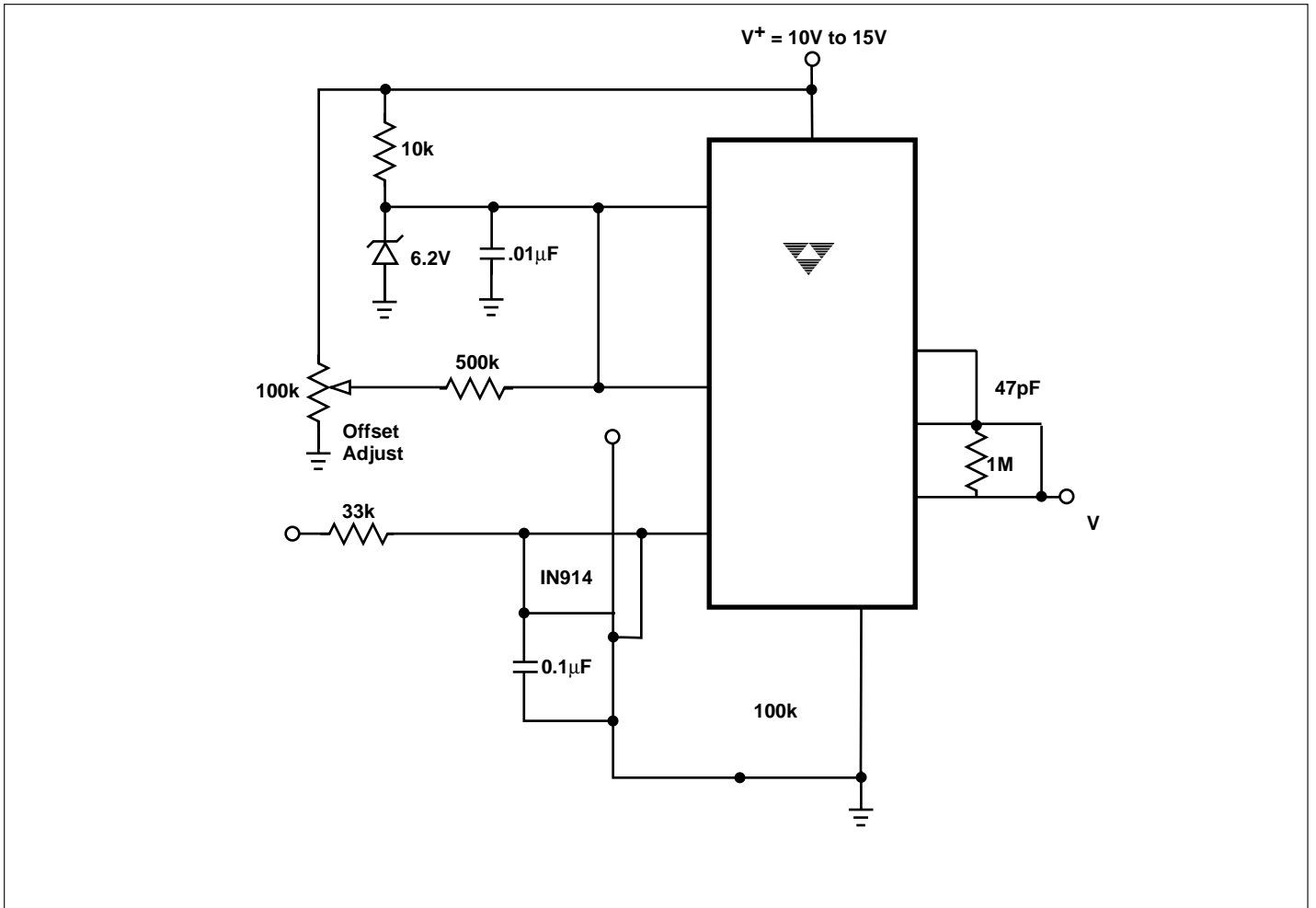


Figure 10. Ripple Filter

# VOLTAGE-TO-FREQUENCY/ FREQUENCY-TO-VOLTAGE CONVERTERS

TC9400  
TC9401  
TC9402

## F/V POWER-ON RESET

In F/V mode, the TC9400 output voltage will occasionally be at its maximum value when power is first applied. This condition remains until the first pulse is applied to  $f_{IN}$ . In most frequency-measurement applications this is not a problem, because proper operation begins as soon as the frequency input is applied.

In some cases, however, the TC9400 output must be zero at power-on without a frequency input. In such cases, a capacitor connected from pin 11 to  $V_{DD}$  will usually be sufficient to pulse the TC9400 and provide a power-on reset (see Figure 11A). Where predictable power-on operation is critical, a more complicated circuit, such as Figure 11B, may be required.

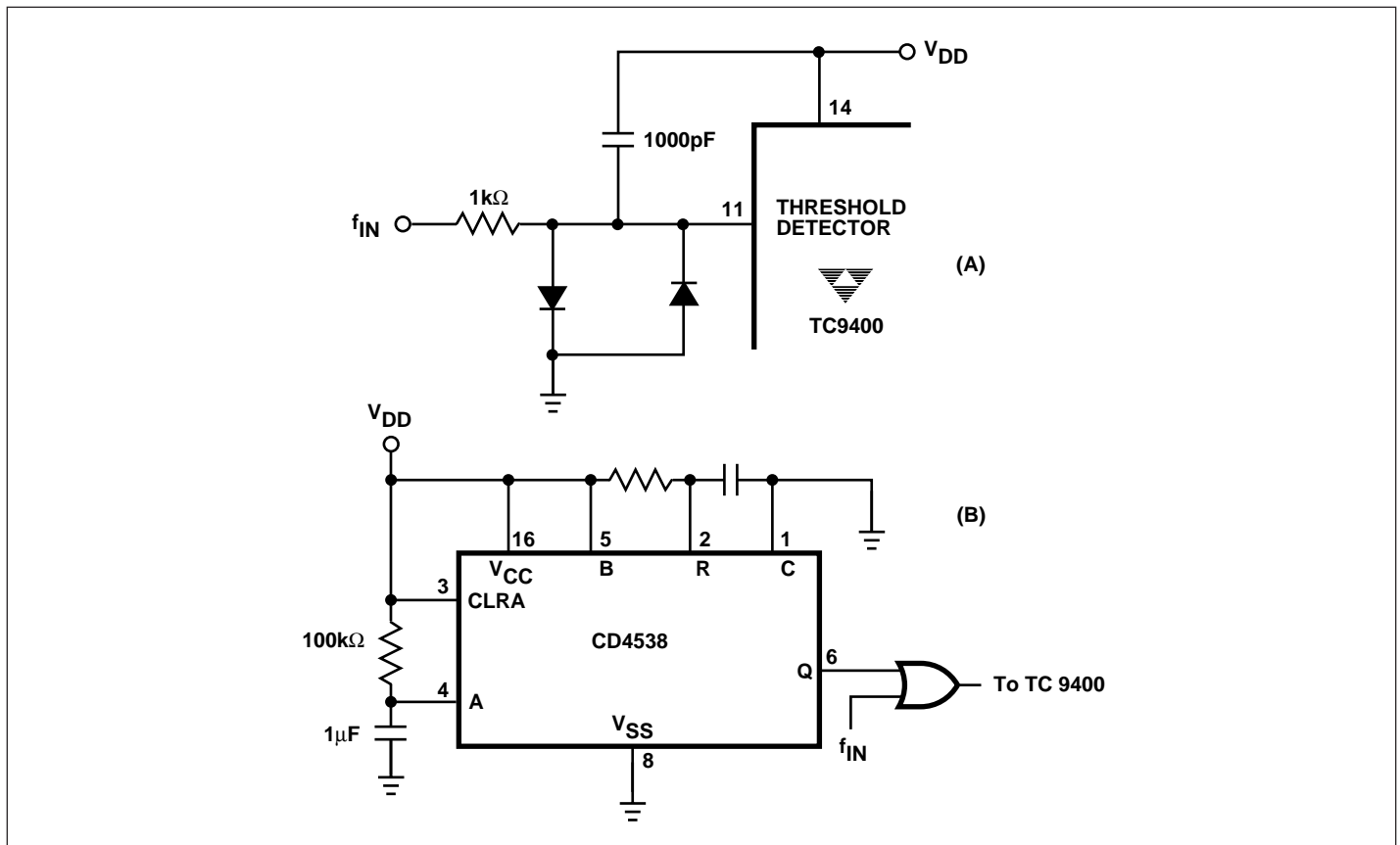


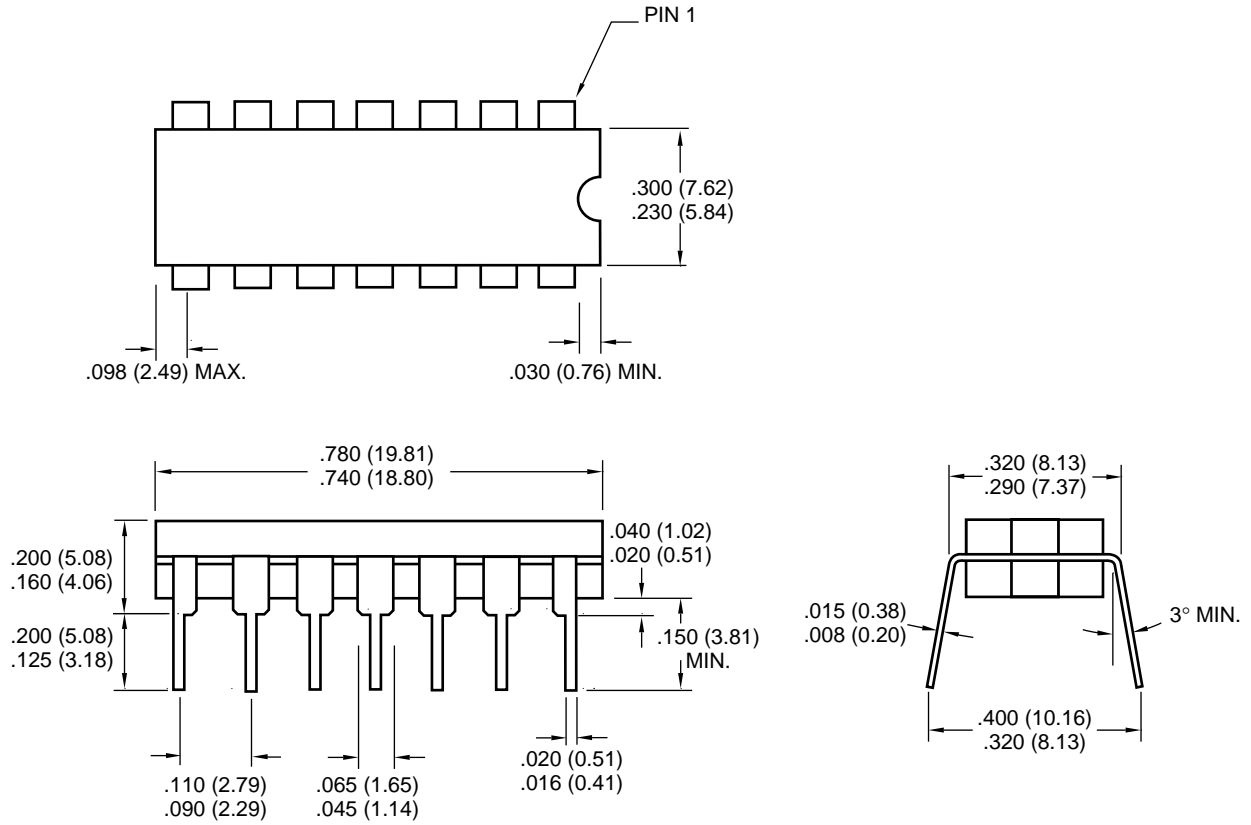
Figure 11. Power-On Operation/Reset

# VOLTAGE-TO-FREQUENCY/ FREQUENCY-TO-VOLTAGE CONVERTERS

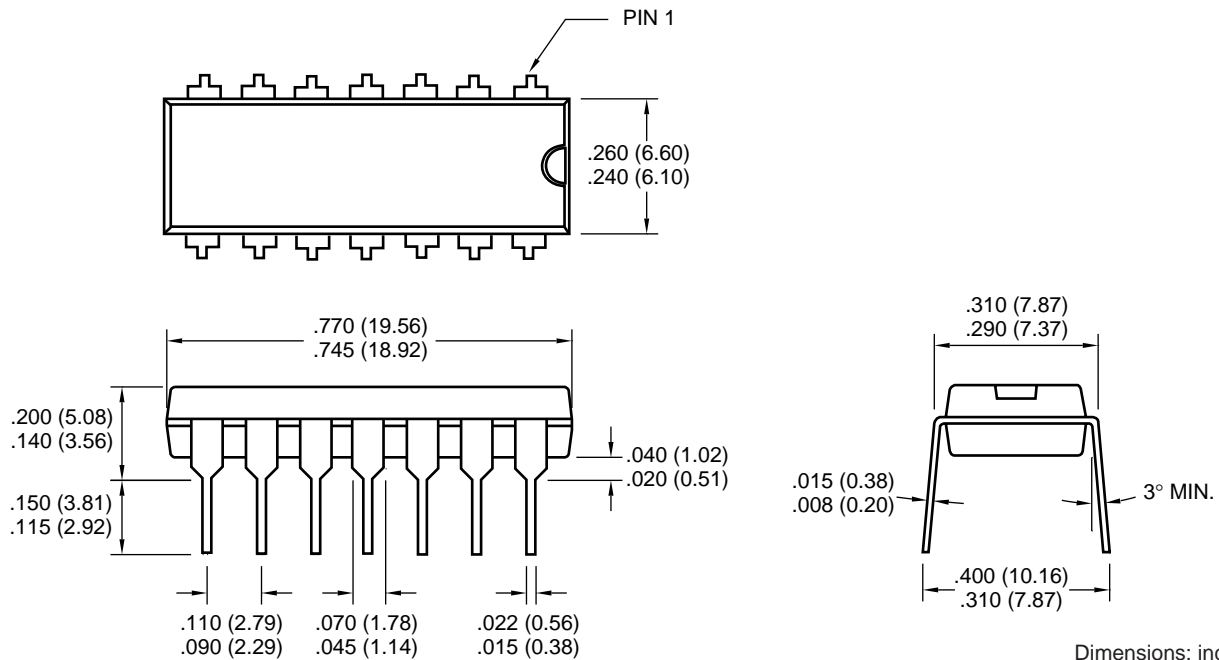
TC9400  
TC9401  
TC9402

## PACKAGE DIMENSIONS

### 14-Pin CerDIP



### 14-Pin Plastic DIP

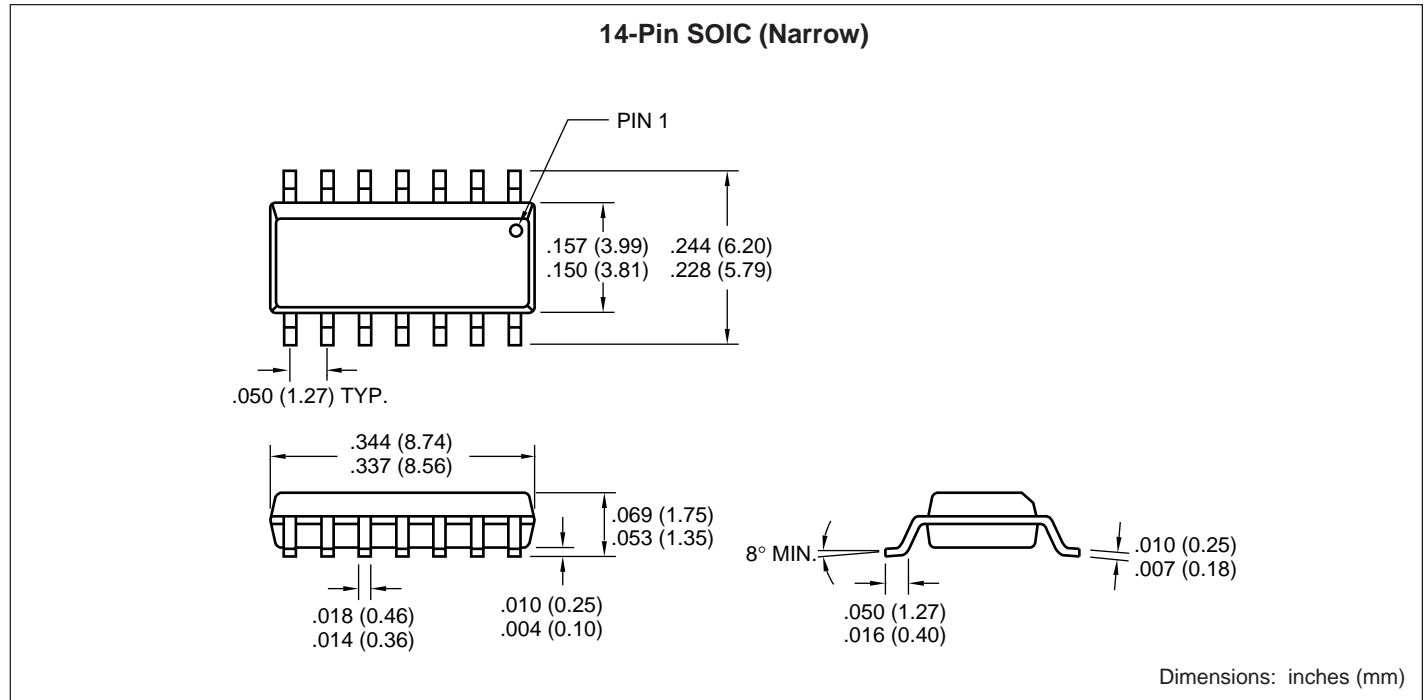


Dimensions: inches (mm)

# VOLTAGE-TO-FREQUENCY/ FREQUENCY-TO-VOLTAGE CONVERTERS

**TC9400  
TC9401  
TC9402**

## PACKAGE DIMENSIONS (Cont.)



## Sales Offices

**TelCom Semiconductor**  
1300 Terra Bella Avenue  
P.O. Box 7267  
Mountain View, CA 94039-7267  
TEL: 415-968-9241  
FAX: 415-967-1590  
E-Mail: liter@c2smtp.telcom-semi.com

**TelCom Semiconductor**  
Austin Product Center  
9101 Burnet Rd. Suite 214  
Austin, TX 78758  
TEL: 512-873-7100  
FAX: 512-873-8236

**TelCom Semiconductor H.K. Ltd.**  
10 Sam Chuk Street, Ground Floor  
San Po Kong, Kowloon  
Hong Kong  
TEL: 852-2324-0122  
FAX: 852-2354-9957