

2325349-2 ✓ ACTIVE

[Power Versa-Lock](#) | [Power Versa-Lock 5.0](#)

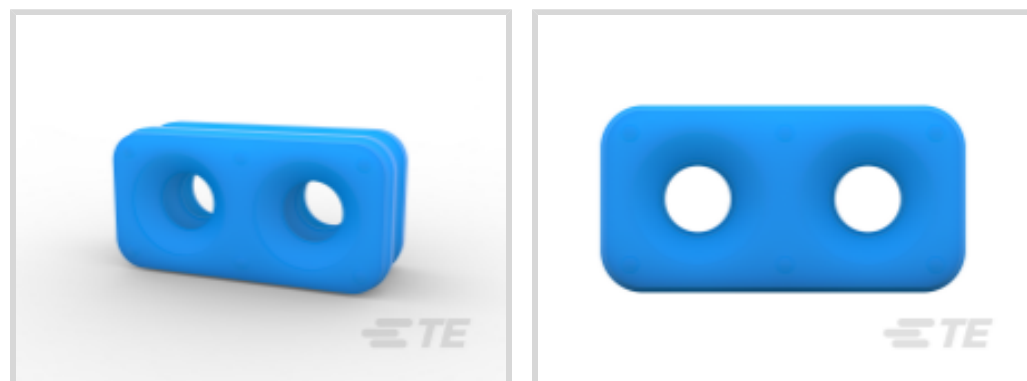
TE Internal #: 2325349-2

Power Versa-Lock 5.0, Rectangular Connector Seals, Gang Wire Seal, Accepts Wire Insulation Diameter Range 2.45 – 3.6 mm [.097 – .142 in], Wire-to-Wire

[View on TE.com >](#)



[Connectors](#) > [Rectangular Connectors](#) > [Rectangular Connector Accessories](#) > [Rectangular Connector Seals](#)



Connector Seal Type: **Gang Wire Seal**

Accepts Wire Insulation Diameter Range: 2.45 – 3.6 mm [.097 – .142 in]

Connector System: **Wire-to-Wire**

Number of Positions: 2

Centerline (Pitch): 5 mm [.197 in]

Features

Product Type Features

Accessory Color	Blue
Product Type	Accessory
Connector Seal Type	Gang Wire Seal
Connector System	Wire-to-Wire
Sealable	Yes
Connector & Contact Terminates To	Wire & Cable

Configuration Features

Number of Positions	2
---------------------	---

Body Features

Material	Silicone Rubber
Seal Color	Blue
Seal Material	Silicone Rubber

Housing Features

Centerline (Pitch)	5 mm [.197 in]
--------------------	----------------

Dimensions

Accepts Wire Insulation Diameter Range	2.45 – 3.6 mm [.097 – .142 in]
--	--------------------------------

Usage Conditions



Operating Temperature Range	-30 – 105 °C[-22 – 221 °F]
-----------------------------	----------------------------

Operation/Application

For Use With	Power Versa-Lock Sealed Connectors
Circuit Application	Power & Signal

Other

Comment	IP67
---------	------

Product Compliance

[For compliance documentation, visit the product page on TE.com>](#)

EU RoHS Directive 2011/65/EU	Compliant
EU ELV Directive 2000/53/EC	Not Yet Reviewed
China RoHS 2 Directive MIIT Order No 32, 2016	No Restricted Materials Above Threshold
EU REACH Regulation (EC) No. 1907/2006	Current ECHA Candidate List: JAN 2021 (211) Candidate List Declared Against: JAN 2021 (211) Does not contain REACH SVHC
Halogen Content	Low Halogen - Br, Cl, F, I < 900 ppm per homogenous material. Also BFR/CFR/PVC Free
Solder Process Capability	Not reviewed for solder process capability

Product Compliance Disclaimer

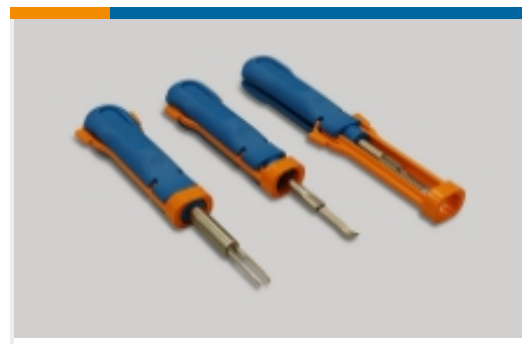
This information is provided based on reasonable inquiry of our suppliers and represents our current actual knowledge based on the information they provided. This information is subject to change. The part numbers that TE has identified as EU RoHS compliant have a maximum concentration of 0.1% by weight in homogenous materials for lead, hexavalent chromium, mercury, PBB, PBDE, DBP, BBP, DEHP, DIBP, and 0.01% for cadmium, or qualify for an exemption to these limits as defined in the Annexes of Directive 2011/65/EU (RoHS2). Finished electrical and electronic equipment products will be CE marked as required by Directive 2011/65/EU. Components may not be CE marked. Additionally, the part numbers that TE has identified as EU ELV compliant have a maximum concentration of 0.1% by weight in homogenous materials for lead, hexavalent chromium, and mercury, and 0.01% for cadmium, or qualify for an exemption to these limits as defined in the Annexes of Directive 2000/53/EC (ELV). Regarding the REACH Regulation, the information TE provides on SVHC in articles for this part number is based on the latest European Chemicals Agency (ECHA) 'Guidance on requirements for substances in articles' posted at this URL: <https://echa.europa.eu/guidance-documents/guidance-on-reach>

Compatible Parts

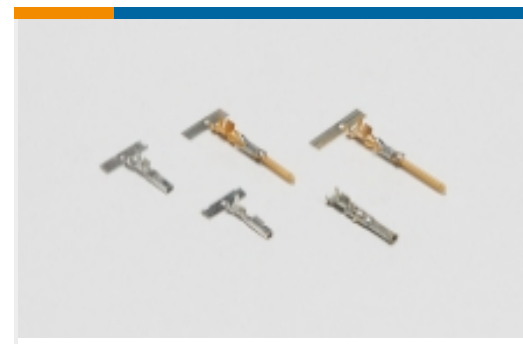


 <p>TE Part # CAT-AM7801-P729 AMPSEAL 16 SEALING PLUGS</p>	 <p>TE Part # 1-2378159-3 Power Versa-Lock PLUG, 1X3 KEY A</p>	 <p>TE Part # 1-2378158-2 Power Versa-Lock CAP, 1X2 KEY A</p>	 <p>TE Part # 1-2378159-2 Power Versa-Lock PLUG, 1X2 KEY A</p>
 <p>TE Part # 2-2378159-2 Power Versa-Lock PLUG, 1X2 KEY B</p>	 <p>TE Part # 7-2378158-2 Power Versa-Lock CAP, 1X2 KEY G</p>	 <p>TE Part # 6-2378159-2 Power Versa-Lock PLUG, 1X2 KEY F</p>	 <p>TE Part # 7-2378159-2 Power Versa-Lock PLUG, 1X2 KEY G</p>
 <p>TE Part # 2-2378158-2 Power Versa-Lock CAP, 1X2 KEY B</p>	 <p>TE Part # 3-2378158-2 Power Versa-Lock CAP, 1X2 KEY C</p>	 <p>TE Part # 3-2378159-2 Power Versa-Lock PLUG, 1X2 KEY C</p>	 <p>TE Part # 4-2378158-2 Power Versa-Lock CAP, 1X2 KEY D</p>
 <p>TE Part # 4-2378159-2 Power Versa-Lock PLUG, 1X2 KEY D</p>	 <p>TE Part # 5-2378158-2 Power Versa-Lock CAP, 1X2 KEY E</p>	 <p>TE Part # 5-2378159-2 Power Versa-Lock PLUG, 1X2 KEY E</p>	 <p>TE Part # 6-2378158-2 Power Versa-Lock CAP, 1X2 KEY F</p>
 <p>TE Part # 8-2378158-2 Power Versa-Lock CAP, 1X2 KEY H</p>	 <p>TE Part # 8-2378159-2 Power Versa-Lock PLUG, 1X2 KEY H</p>	 <p>TE Part # 9-2378158-2 Power Versa-Lock CAP, 1X2 KEY I</p>	 <p>TE Part # 9-2378159-2 Power Versa-Lock PLUG, 1X2 KEY I</p>

Also in the Series | **Power Versa-Lock 5.0**



Insertion & Extraction Tools(2)



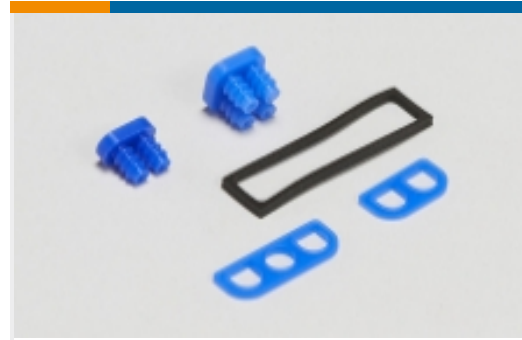
Power Contacts(8)



Rectangular Caps & Covers(3)



Rectangular Connector Locking(1)



Rectangular Connector Seals(6)

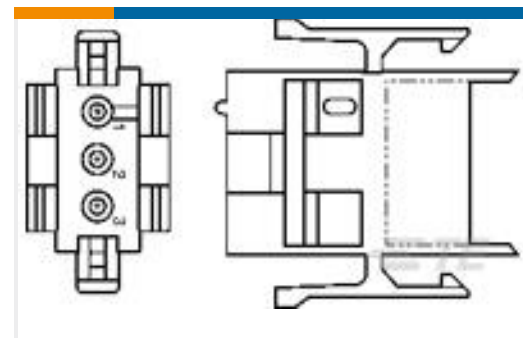


Rectangular Power Connectors(33)

Customers Also Bought



TE Part #1-770849-4
14P SL156 HSG W/LOC RAMP W/TBS



TE Part #1-640507-0
02P MR II CAP HSG



TE Part #1-640251-1
11P SL156 HSG W/O LCK RAMP



TE Part #1-640251-8
18P SL156 HSG W/O LCK RAMP



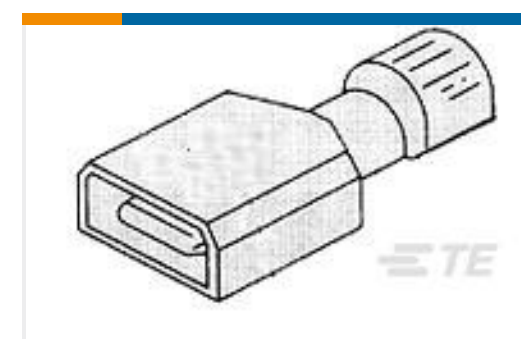
TE Part #1776297-3
TSB5000331=EUROPA TRM BLK,10MM



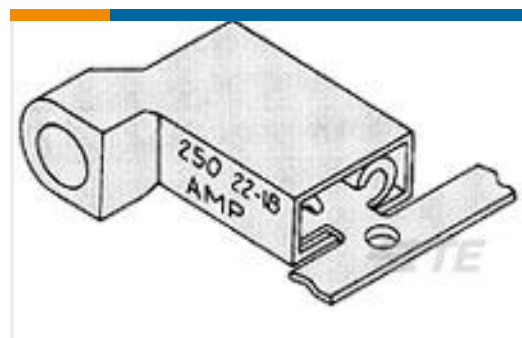
TE Part #DT04-2P-CE03
DEUTSCH DT Series Housings & Connectors



TE Part #1213068-6
CRIMPER, WIRE



TE Part #2-520102-2
ULTRA-FAST 250 ASSEMBLY TAB 22-18 AWG BR



TE Part #2-520334-2
ULTRAFast 187 ASSY FLAG REC 22-18 TPBR



TE Part #1803161-2
ANVIL, SPECIAL

Documents



CAD Files

3D PDF

3D

Customer View Model

[ENG_CVM_CVM_2325349-2_A.2d_dxf.zip](#)

English

Customer View Model

[ENG_CVM_CVM_2325349-2_A.3d_igs.zip](#)

English

Customer View Model

[ENG_CVM_CVM_2325349-2_A.3d_stp.zip](#)

English

By downloading the CAD file I accept and agree to the [Terms and Conditions](#) of use.

Product Specifications

Engineering Report

English

Instruction Sheets

Instruction Sheet (U.S.)

English