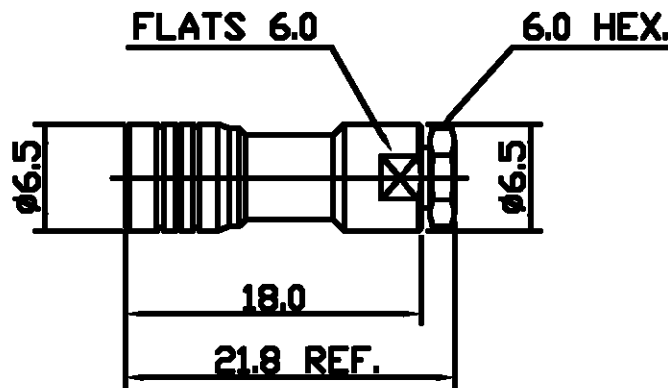


THIS DRAWING IS UNPUBLISHED. RELEASED FOR PUBLICATION 7-9-00 .  
 © COPYRIGHT 2000 BY TYCO ELECTRONICS CORPORATION. ALL RIGHTS RESERVED.

LOC	DIST	REVISIONS			
P	LTR	DESCRIPTION	DATE	DWN	APVD
E	B	B	EB00 - 0304 - 01	26-9-01	RG FWK



△ SUPPLIED SEMI-ASSEMBLED (PACK CONTAINS LOOSE PIECES)  
 VIEW SHOWS ASSEMBLED CONNECTOR (CABLE OMITTED)  
 FOR CABLE TO CONNECTOR ASSEMBLY GUIDANCE  
 REFER TO TYCO INSTRUCTION SHEET I.S 411 - 3258

ALL DIMENSIONS ARE NOMINAL. FOR REFERENCE ONLY.

DIE SET PART NUMBER	N/A
HANDTOOL PART NUMBER	N/A
FOR USE ON CABLES	RG174A/U, 188A/U, 316/U & URM95
CONNECTOR PLATING DETAIL	GOLD
CONTACT PLATING DETAIL	GOLD
DIELECTRIC MATERIAL	TEFLON
GASKET MATERIAL	WHITE SILICONE RUBBER

THIS DRAWING IS A CONTROLLED DOCUMENT.

DIMENSIONS:	TOLERANCES UNLESS OTHERWISE SPECIFIED:
MM	
	0 PLC ±
	1 PLC ±
	2 PLC ±
	3 PLC ± -
	4 PLC ± -
	ANGLES ±
MATERIAL	FINISH
-	-

DWN R.SMITH 07-SEP-00	Tyco Electronics Corporation Stanmore, Middlesex, HA7 4RS
CHK R.GOODALL 07-SEP-00	
APVD R.GOODALL 07-SEP-00	
PRODUCT SPEC 108-3435	
APPLICATION SPEC	NAME SMB STRAIGHT PLUG SOLDER 50 Ohm
WEIGHT -	SIZE A3 CAGE CODE 00779 DRAWING NO C-1337475 RESTRICTED TO -
CUSTOMER DRAWING	SCALE NTS SHEET 1 OF 1 REV B

BAG	SINGLE ITEM	1-1337475-0
PACK TYPE	DESCRIPTION	PART NUMBER