

Super Sync Separator

The EL4511 sync separator IC is designed for operation in the next generation of DTV, HDTV, and projector applications, as well as broadcast equipment and other applications where video signals need to be processed.

The EL4511 accepts sync on green, separate sync, and H/V sync inputs, automatically selecting the relevant format. It is also capable of detecting and decoding tri-level syncs used with the latest HD systems. Unlike standard sync separators, the EL4511 can automatically detect the line rate and locks to it, without the use of an external R_{SET} resistor.

The EL4511 is available in a 24-pin QSOP package and operates over the full 0°C to 70°C temperature range.

Ordering Information

PART NUMBER	PACKAGE	TAPE & REEL	PKG. DWG. #
EL4511CU	24-Pin QSOP	-	MDP0040
EL4511CU-T7	24-Pin QSOP	7"	MDP0040
EL4511CU-T13	24-Pin QSOP	13"	MDP0040
EL4511CUZ (See Note)	24-Pin QSOP (Pb-Free)	-	MDP0040
EL4511CUZ-T7 (See Note)	24-Pin QSOP (Pb-Free)	7"	MDP0040
EL4511CUZ-T13 (See Note)	24-Pin QSOP (Pb-Free)	13"	MDP0040

NOTE: Intersil Pb-free plus anneal products employ special Pb-free material sets; molding compounds/die attach materials and 100% matte tin plate termination finish, which are RoHS compliant and compatible with both SnPb and Pb-free soldering operations. Intersil Pb-free products are MSL classified at Pb-free peak reflow temperatures that meet or exceed the Pb-free requirements of IPC/JEDEC J STD-020.

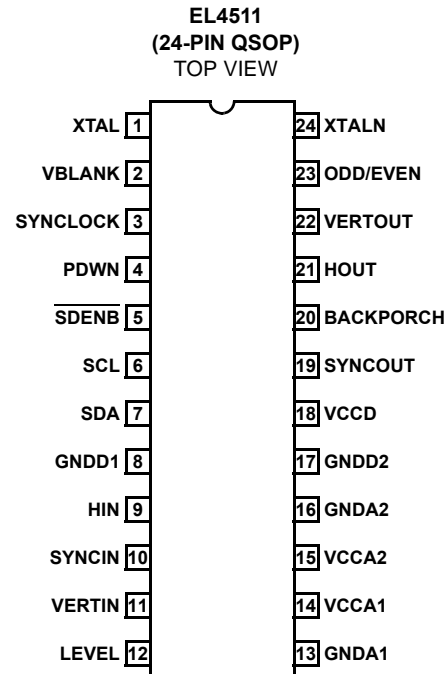
Features

- Composite, component, HDTV, and PC signal-compatible
- Tri-level & bi-level sync-compatible
- Auto sync detection
- 150kHz max line rate
- Low power
- Small package outline
- 3.3V and 5V operation
- Pb-Free Plus Anneal Available (RoHS Compliant)

Applications

- HDTV/DTV analog inputs
- Video projectors
- Computer monitors
- Set top boxes
- Security video
- Broadcast video equipment

Pinout





EL4511

Electrical Specifications $V_S = V_{CCA1} = V_{CCA2} = V_{CCD} = +5V$, $T_A = 25^\circ C$, NTSC input signal on SYNCIN, no output loads, unless otherwise specified. **(Continued)**

PARAMETER	DESCRIPTION	CONDITIONS	MIN	TYP	MAX	UNIT
REFERENCE OSCILLATOR						
F _{IN}	Reference Input Frequency	Refer to description of operation			50	kHz
F _{XTAL}	Crystal Frequency	Watch crystal (optional)		32.768		kHz
CONTROL INTERFACE SIGNALS PDWN, SDENB, SCL AND SDA						
V _{HIGH}	Input Logic High Threshold				V _{CCD} -1V	
V _{LOW}	Input Logic Low Threshold		V _{GNDD} +1V			
O/PV _{HI}	SDA O/P Logic High State	@ 1mA	V _{CCD} -0.4			V
O/PV _{LOW}	SDA O/P Logic Low State	@ 1mA			V _{GNDD} +0.4	V
F _{SCL}	Serial Control Clock Frequency			5		MHz
T _{CLS}	Setup Time			30		ns
T _{CLH}	Hold Time			30		ns
T _{LC}	Load to Clock Time			30		ns
T _{DC}	Hold to Clock Time			30		ns
T _{CD}	Clock to Data Out Time			30		ns

NOTES:

1. NTSC signal; see curves for other rates.
2. XTAL pin must be low, otherwise 70μA.
3. I/P range reduces if V_S of 3.3V - 4.5V (see Timing Diagram 1).

Pin Descriptions

PIN NUMBER	PIN NAME	PIN TYPE	PIN DESCRIPTION
1	XTAL	Input	Crystal input (see Table 2 for details)
2	VBLANK	Logic Output	Vertical blank output
3	SYNCKLOCK	Logic Output	Indicates that the EL4511 has locked to the line rate and has found three consecutive "good H lines"
4	PWDN	Logic Input	Power-down = hi
5	$\overline{\text{SDENB}}$	Logic Input	Serial interface enable = low
6	SCL	Logic Input	Serial clock
7	SDA	Logic BIDIR	Serial data (input for chip setup, output for diagnostic information)
8	GNDD1	Power	Digital ground 1
9	HIN	Input	Horizontal sync
10	SYNCIN	Input	Video input, which may incorporate sync signal; connect to Y or G
11	VERTIN	Input	Vertical sync input
12	LEVEL	Output	Indicates 2x amplitude of sync tip vs. back porch; referred to ground
13	GNDA1	Power	Analog ground 1
14	VCCA1	Power	Analog power supply 1
15	VCCA2	Power	Analog power supply 2
16	GNDA2	Power	Analog ground 2
17	GNDD2	Power	Digital ground 2
18	VCCD1	Power	Digital power supply 1
19	SYNCOUT	Logic Output	Composite sync output
20	BACKPORCH	Logic Output	Back porch output
21	HOUT	Logic Output	Horizontal sync output
22	VERTOUT	Logic Output	Vertical sync output
23	ODD/EVEN	Logic Output	Odd-Even field indicator output
24	XTALN	Output	Crystal output (see Table 2 for details)

Typical Performance Curves

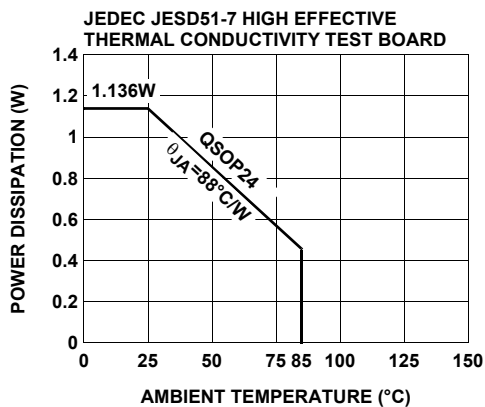


FIGURE 1. PACKAGE POWER DISSIPATION vs AMBIENT TEMPERATURE

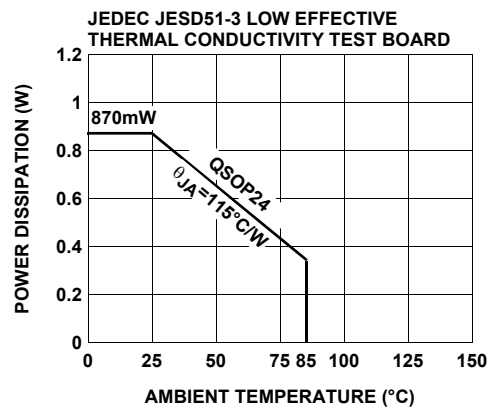


FIGURE 2. PACKAGE POWER DISSIPATION vs AMBIENT TEMPERATURE

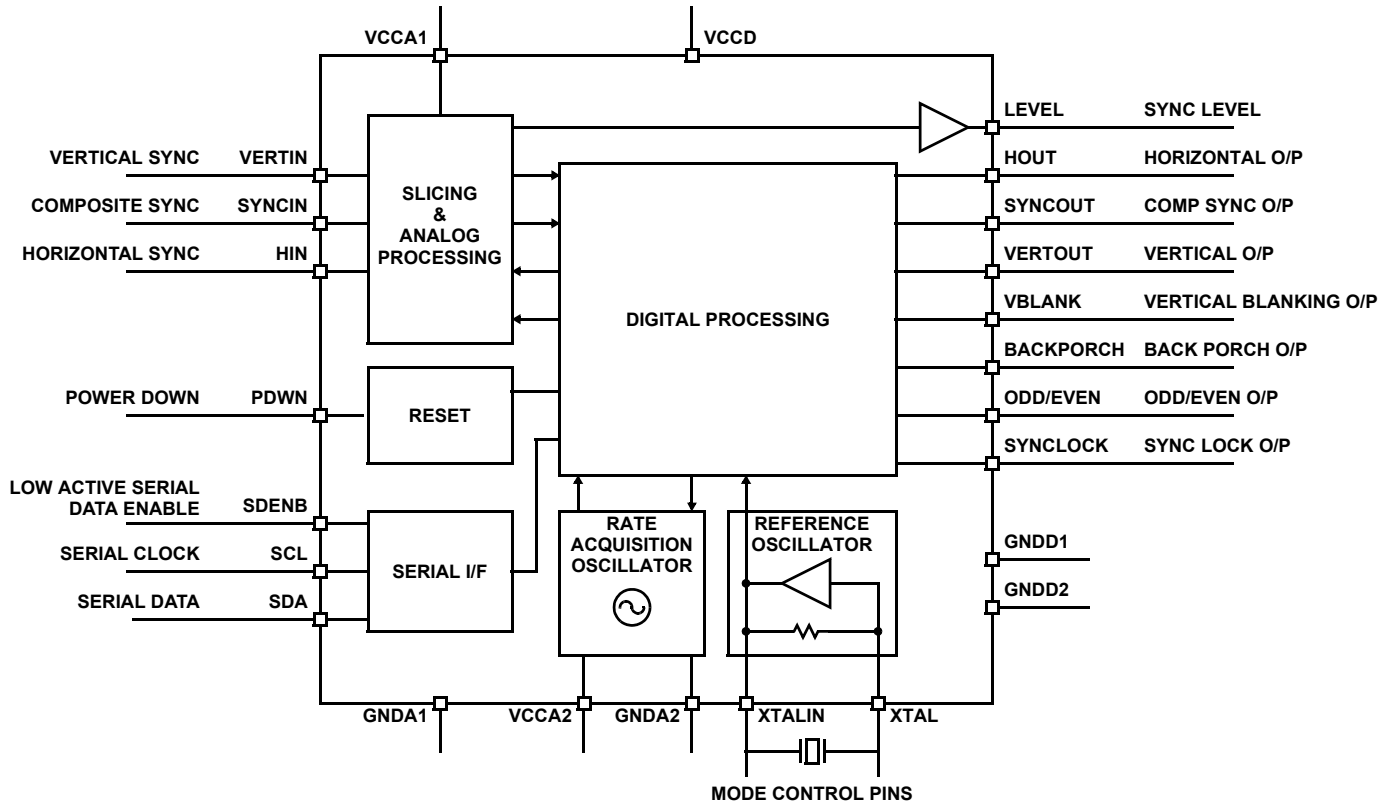
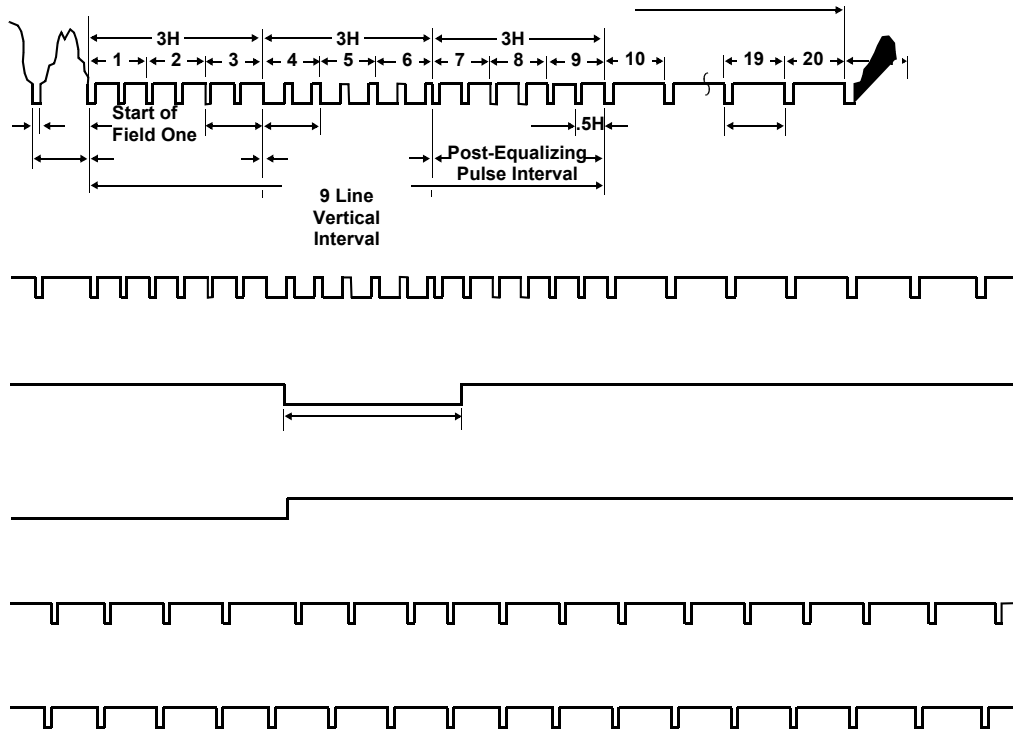


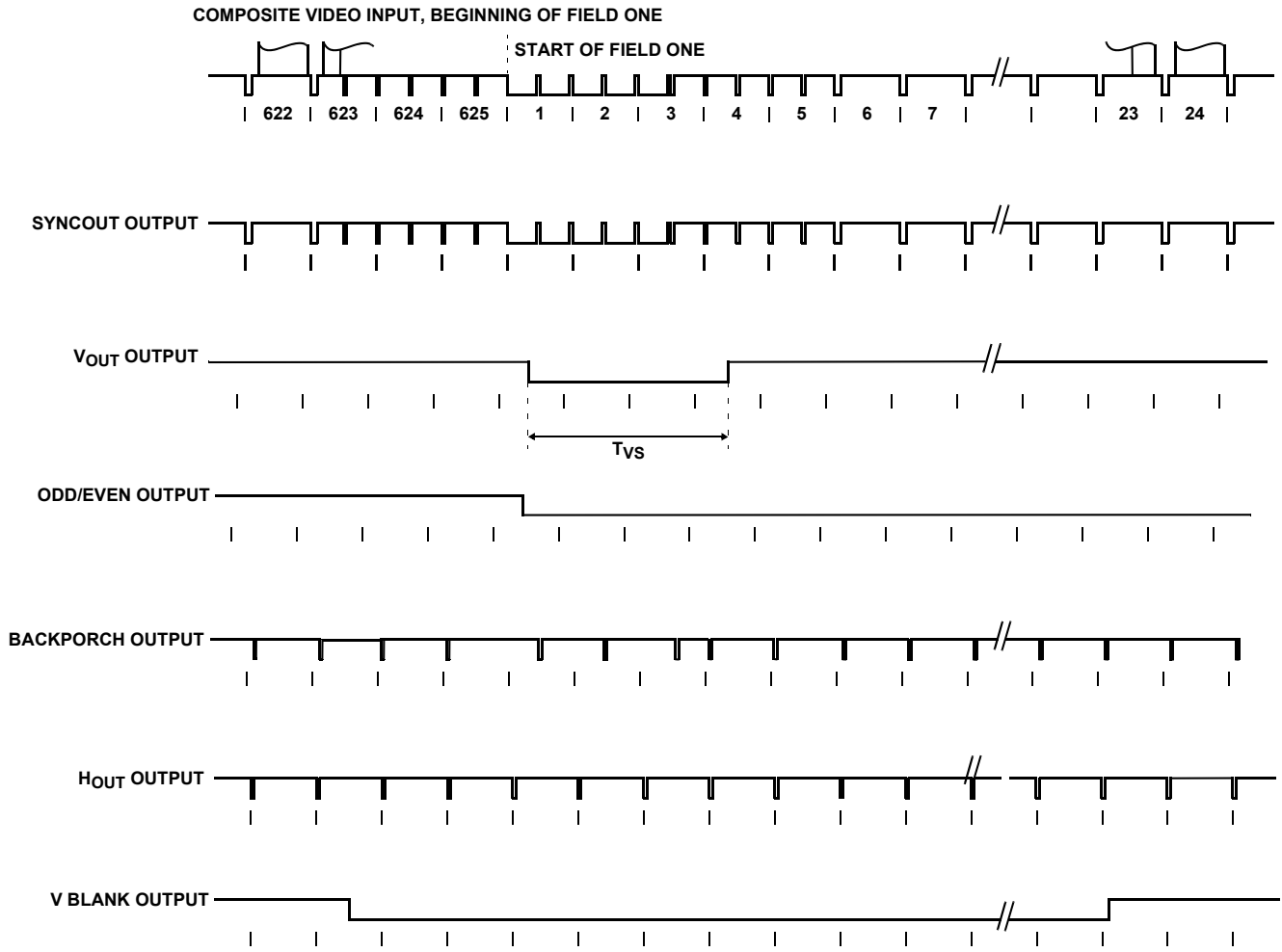
FIGURE 3. BLOCK DIAGRAM



Notes:

- b. The composite sync output reproduces all the video input sync pulses, with a propagation delay.
- c. Vertical sync leading edge is coincident with the first vertical serration pulse leading edge, with a propagation delay.
- d. Odd-even output is low for even field, and high for odd field.
- e. Back porch goes low for a fixed pulse width on the trailing edge of video input sync pulses. Note that for serration pulses during vertical, the back porch starts on the rising edge of the serration pulse (with propagation delay).

FIGURE 4. EXAMPLE OF VERTICAL INTERVAL (525)



Notes:

- b. The composite sync output reproduces all the video input sync pulses, with a propagation delay.
- c. Vertical sync leading edge is coincident with the first vertical serration pulse leading edge, with a propagation delay.
- d. Odd-even output is low for even field, and high for odd field.
- e. Back porch goes low for a fixed pulse width on the trailing edge of video input sync pulses. Note that for serration pulses during vertical, the back porch starts on the rising edge of the serration pulse (with propagation delay).

FIGURE 5. EXAMPLE OF VERTICAL INTERVAL (625)

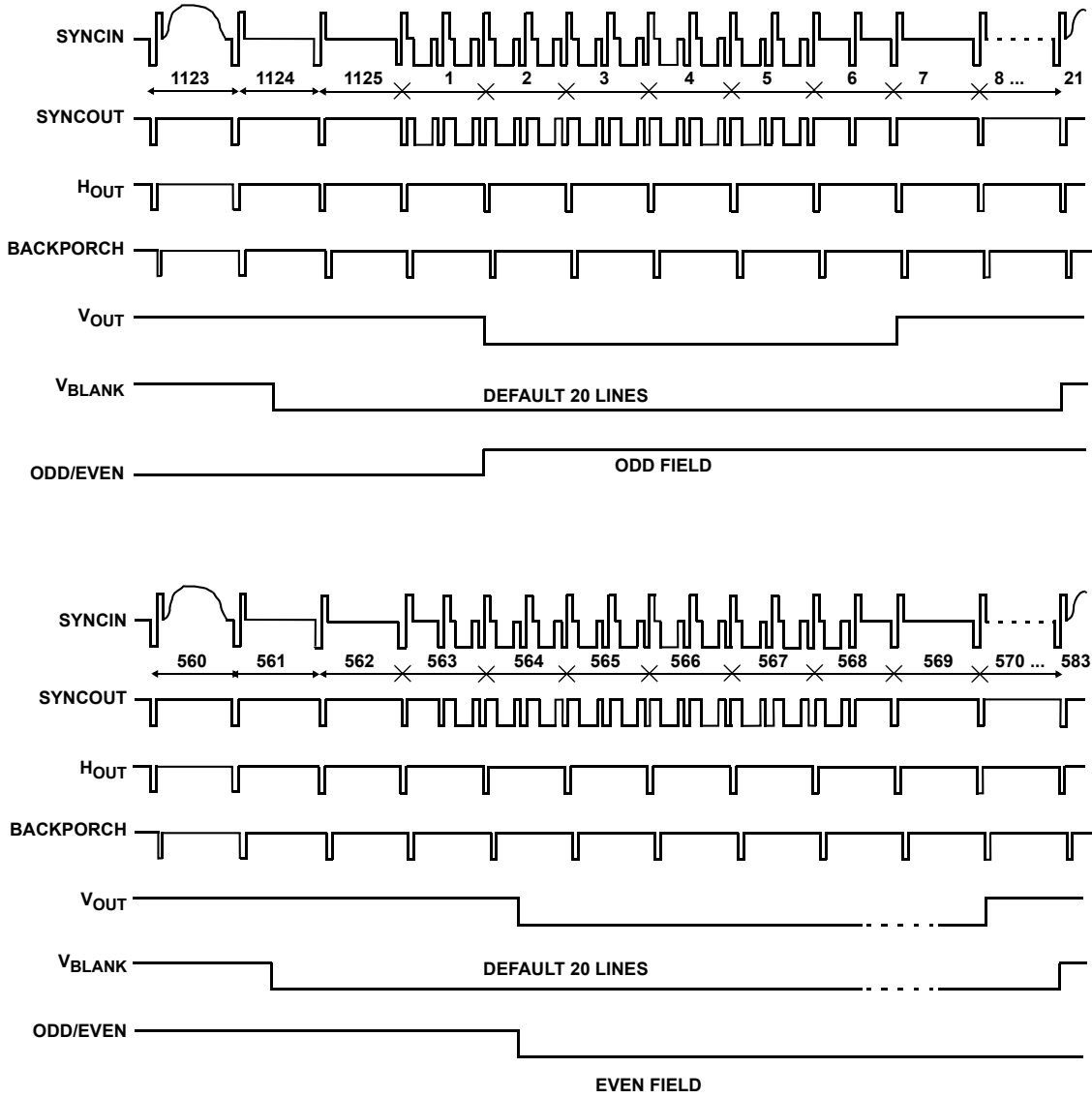


FIGURE 6. EXAMPLE OF HDTV 1080I/30 LINE COMPOSITE VIDEO: INTERLACED, ODD & EVEN FIELD

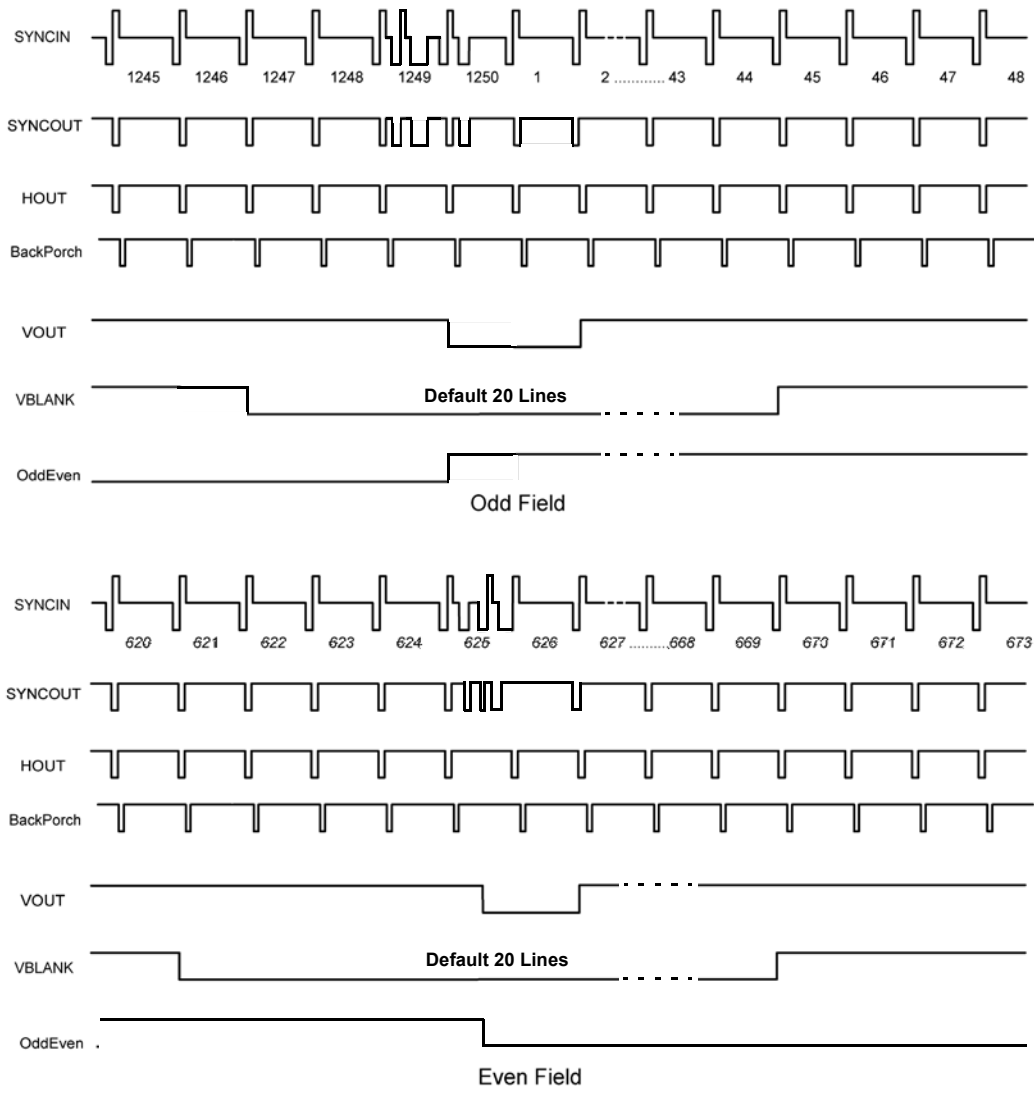
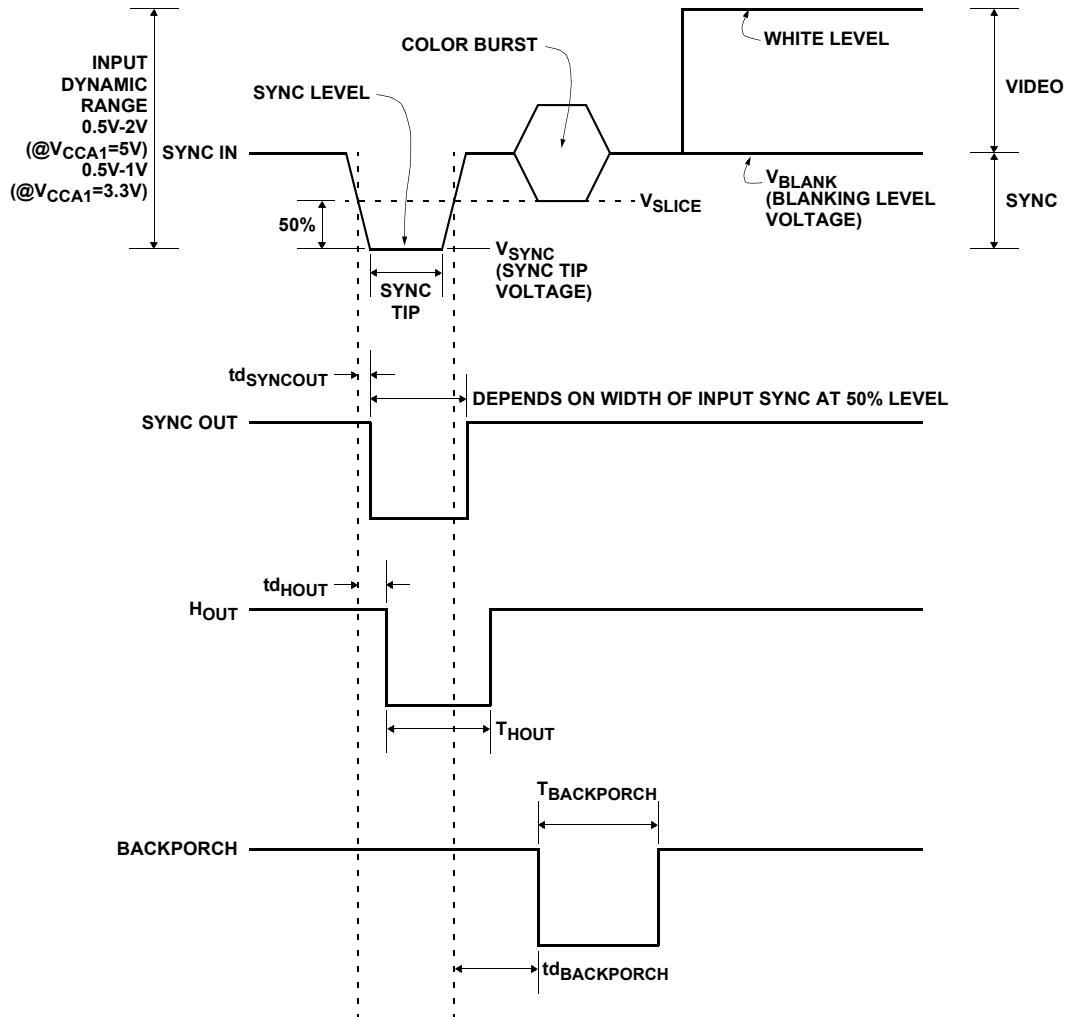


FIGURE 7. HDTV 1080I/25 LINE COMPOSITE VIDEO: INTERLACED ODD & EVEN FIELD (1250 LINES)

Timing Diagram 1 - Example of Horizontal Interval 525/625 Line Composite

CONDITIONS: $V_{CCA1} = V_{CCA2} = V_{CCD} = +5V$, $T_A = 25^\circ C$, NO FILTER (REGISTER 2 BIT 4 = 0)



No Filter

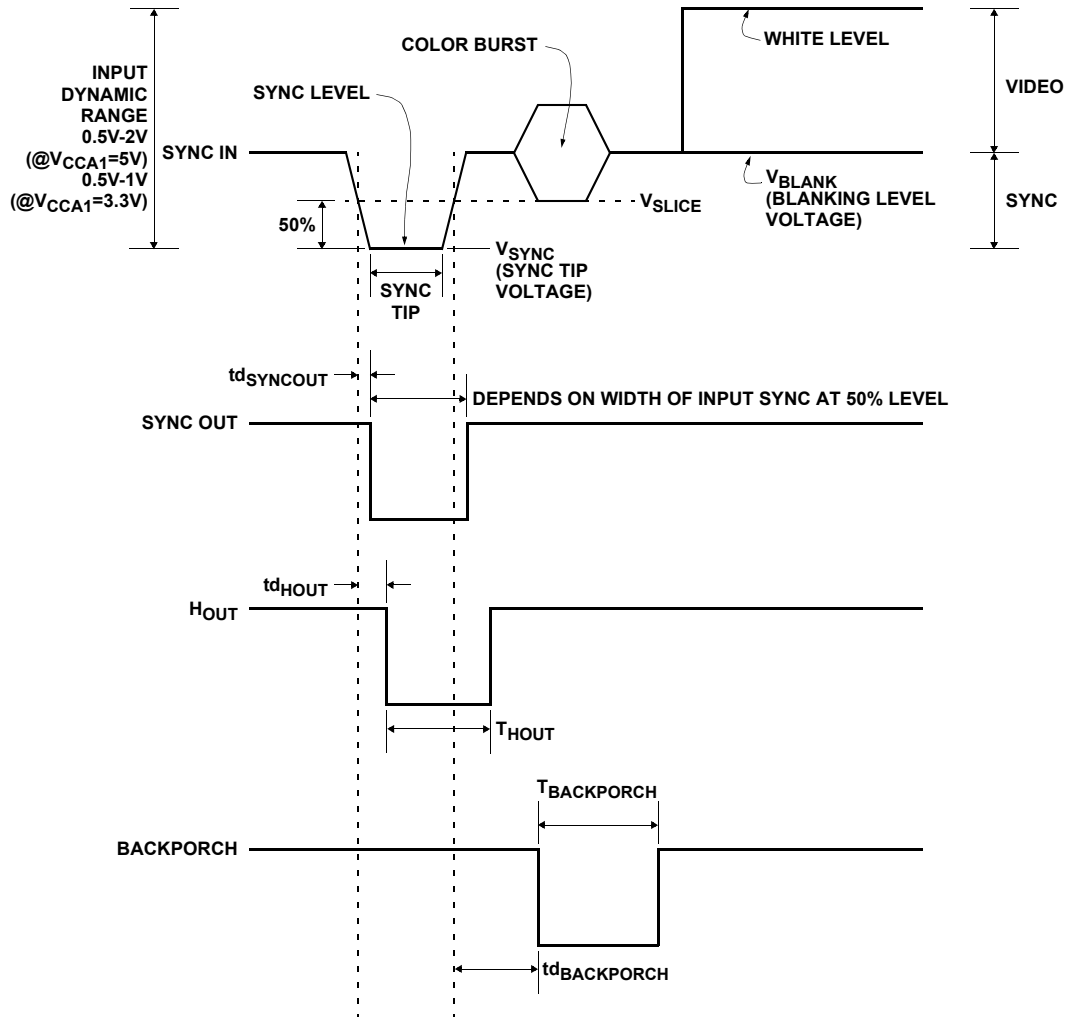
PARAMETER	DESCRIPTION	CONDITIONS	TYP (Note 1)	UNIT
td_{SYNCOU}	SYNCOU Timing Relative to Input	See Timing Diagram 1	65	ns
td_{HOUT}	HOUT Timing Relative to Input	See Timing Diagram 1	470	ns
$td_{BACKPORCH}$	BACKPORCH Timing Relative to Input	See Timing Diagram 1	525	ns
T_{HOUT}	Horizontal Output Width	See Timing Diagram 1	1545	ns
$T_{BACKPORCH}$	BACKPORCH (Clamp) Width	See Timing Diagram 1	3345	ns

NOTE:

1. Delay variation is less than 2.5ns over temperature range.

Timing Diagram 2 - Example of Horizontal Interval 525/625 Line Composite

CONDITIONS: $V_{CCA1} = V_{CA2} = V_{CCD} = +5V$, $T_A = 25^\circ C$, FILTER IN (REGISTER 2 BIT 4 = 1)



Filter In

PARAMETER	DESCRIPTION	CONDITIONS	TYP (Note 1)	UNIT
td_{SYNCO}	SYNCO Timing Relative to Input	See Timing Diagram 2	220	ns
td_{HOUT}	HOUT Timing Relative to Input	See Timing Diagram 2	470	ns
$td_{BACKPORCH}$	BACKPORCH Timing Relative to Input	See Timing Diagram 2	525	ns
T_{HOUT}	Horizontal Output Width	See Timing Diagram 2	1545	ns
$T_{BACKPORCH}$	BACKPORCH (Clamp) Width	See Timing Diagram 2	3345	ns

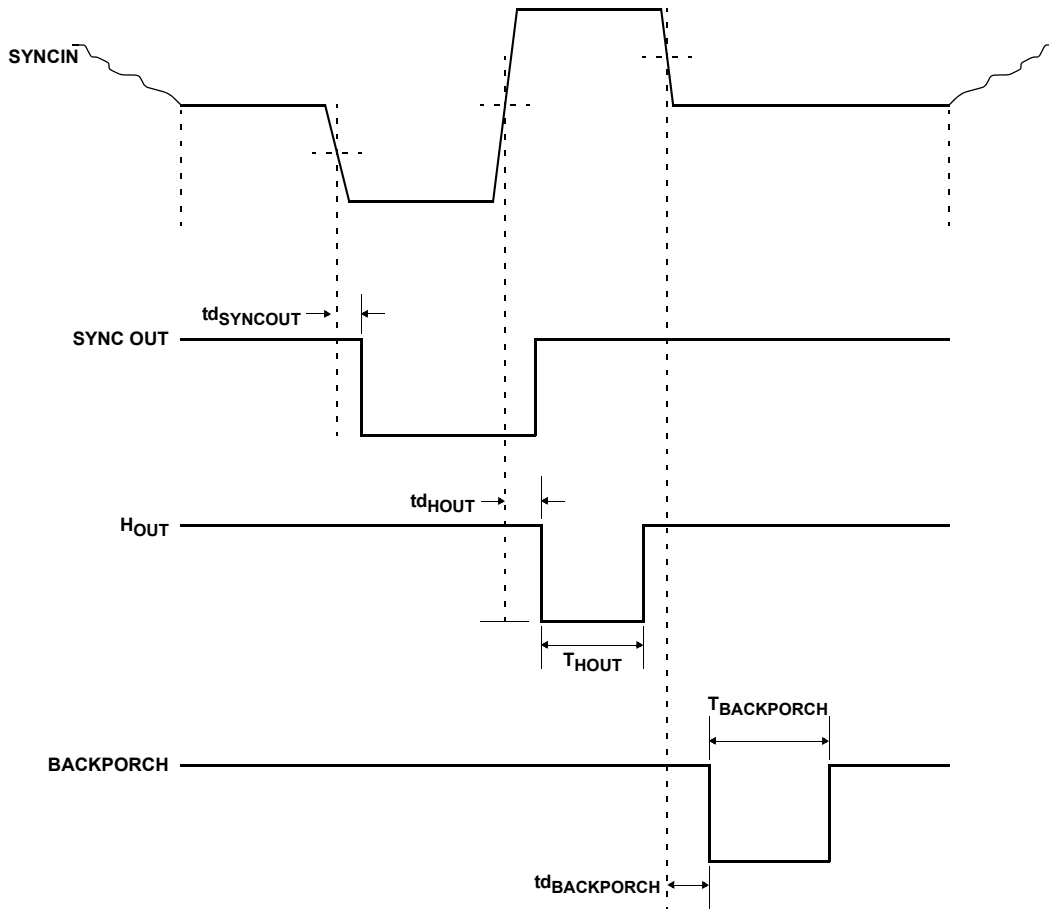
NOTE:

1. Delay variation is less than 2.5ns over temperature range.



Timing Diagram 4 - Example of Horizontal Interval (HDTV)

CONDITIONS: $V_{CCA1} = V_{CCA2} = V_{CCD} = +3.3V/+5V$, $T_A = 25^{\circ}C$, FILTER (REGISTER 2 BIT 4 = 1)



H Timing for HDTV, With Filter (using 720p input)

PARAMETER	DESCRIPTION	CONDITIONS	TYP @ 3.3V (Note 1)	TYP @ 5V (Note 1)	UNIT
td_{SYNCOU}	SYNCOU Timing Relative to Input	See Timing Diagram 4	120	110	ns
td_{HOUT}	HOUT Timing Relative to Input	See Timing Diagram 4	112	100	ns
$td_{BACKPORCH}$	BACKPORCH Timing Relative to Input	See Timing Diagram 4	155	140	ns
T_{HOUT}	Horizontal Output Width	See Timing Diagram 4	300	300	ns
$T_{BACKPORCH}$	BACKPORCH (Clamp) Width	See Timing Diagram 4	300	300	ns

NOTE:

1. Delay variation is less than 2.5ns over temperature range.

Operation Summarized Table

Default register settings. All with no external analog filter. No Mode setting. 525/625

OPERATING STANDARD	DEFAULT	PINS 1 & 24 XTAL, XTALN	DIGITAL FILTER ENABLED	SYNC LOCK	V BLANK	O/E	V _{OUT}	H _{OUT}	BACK PORCH	SYNC OUT	COMMENTS
SDTV (Clean signals)											
525 NTSC	Yes	00	default	Correct	Correct	Correct	Correct	Correct	Correct	Correct	
625 PAL	Yes	00	default	Correct	Correct	Correct	Correct	Correct	Correct	Correct	
625 SECAM	Yes	00	default	Correct	Correct	Correct	Correct	Correct	Correct	Correct	
SDTV (VHS tape signals)											
525 NTSC	Yes	00	default		Correct	Correct	Correct	Correct	Correct	Correct	Will break up with Fast Forward and Fast Reverse modes.
625 PAL	Yes	00	default		Correct	Correct	Correct	Correct	Correct	Correct	Will break up with Fast Forward and Fast Reverse modes.
625 SECAM	Yes	00	default		Correct	Correct	Correct	Correct	Correct	Correct	Will break up with Fast Forward and Fast Reverse modes.
SDTV (525 only)											
Macrovision VHS O/P	Yes	00	default	See Note	See Note	See Note	See Note	See Note	See Note	See Note	This operation works on most machines, but some combinations will fail
Macrovision DVD O/P	Yes	00	default	Bad	See Note	See Note	See Note	See Note	See Note	See Note	Short drop out on one field, likely some machines will fail.
EDTV Bi-Level Sync											
No O/E output for some of these standards, because no serrations during vertical											
480 I / (29/30)	Yes	00	default	Correct	Correct	Always H	Correct	Correct	Correct	Correct	
480 I / (59/60)	Yes	00	default	Correct	Correct	Always H	Correct	Correct	Correct	Correct	
480 P / (59/60)	Yes	00	default	Correct	Correct	Always H	Correct	Correct	Correct	Correct	
576 P / (50)	Yes	00	default	Correct	Correct	Always H	Correct	Correct	Correct	Correct	
HDTV Tri-Level Sync											
720 P / (59/60)	Yes	00	default	Correct	Correct	Always H (correct)	Correct	Correct	Correct	Correct	
1080 I / 24	Yes	00	default	Correct	Correct	Correct	Correct	Correct	Correct	Correct	
1080 I / 25	Yes	00	default	Correct	Correct	Correct	Correct	Correct	Correct	Correct	

Operation Summarized Table

Default register settings. All with no external analog filter. No Mode setting. 525/625 (Continued)

OPERATING STANDARD	DEFAULT	PINS 1 & 24 XTAL, XTALN	DIGITAL FILTER ENABLED	SYNC LOCK	V BLANK	O/E	V _{OUT}	H _{OUT}	BACK PORCH	SYNC OUT	COMMENTS
1080 I / (29/30)	Yes	00	default	Correct	Correct	Correct	Correct	Correct	Correct	Correct	
1080 I / (48/50)	Yes	00	default	Correct	Correct	Correct	Correct	Correct	Correct	Correct	
1080 I / (59/60)	Yes	00	default	Correct	Correct	Correct	Correct	Correct	Correct	Correct	
1035 I / (29/30)	Yes	00	default	Correct	Correct	Correct	Correct	Correct	Correct	Correct	
1080 P / (24/35/30/50/59/60)	Yes	00	default	Correct	Correct	Always H (correct)	Correct	Correct	Correct	Correct	
VGA											
All standards generated by the Quantum are supported except 1024@42Hz and work OK											
640 /X (6 standards)	Yes	11	default	Correct	Correct	Always H	Correct	Correct	Correct	Correct	
720	Yes	11	default	Correct	Correct	Always H	Correct	Correct	Correct	Correct	
800/X (5 standards)	Yes	11	default	Correct	Correct	Always H	Correct	Correct	Correct	Correct	
1024/X (4 of 5 standards)	Yes	11	default	Correct	Correct	Always H	Correct	Correct	Correct	Correct	1024@42 not supported
1152	Yes	11	default	Correct	Correct	Always H	Correct	Correct	Correct	Correct	
1280/X (5 standards)	Yes	11	default	Correct	Correct	Always H	Correct	Correct	Correct	Correct	
1600/X (5 standards)	Yes	11	default	Correct	Correct	Always H	Correct	Correct	Correct	Correct	
1792/X (2 standards)	Yes	11	default	Correct	Correct	Always H	Correct	Correct	Correct	Correct	
1836/X (2 standards)	Yes	11	default	Correct	Correct	Always H	Correct	Correct	Correct	Correct	Max Line rate 112.5kHz
1920/X (2 standards)	Yes	11	default	Correct	Correct	Always H	Correct	Correct	Correct	Correct	Max Line rate 112.5kHz

Timing Diagram 5 - 720p Standard with Filter in Circuit

Description of Operation

The EL4511 has 3 modes of operation. The first is default mode with pins 1 and 24 connected to ground with 10K. Second is using pins 1 and 24 to provide simple mode control. The third is using the serial port to use a crystal or a clock into XTALN pin 24 to determine the video sync rate and/or more extensive mode control.

The EL4511 incorporates the following functional blocks:

- Analog I/Ps, processing, and slicing
- Signal source and polarity detector
- Signal & H rate acquisition block
- Advanced sync separator which will detect both conventional and tri-level sync signals
- Video lock and level indicators
- Reference counter
- Computer and control interface

Analog I/Ps, Processing, and Slicing

The EL4511 has three I/P pins which may be connected to a source of external sync signals.

For YPrPb or RGB applications, Y or G should be connected to SYNCIN. For applications with separate horizontal and vertical sync inputs, these should be connected to HIN and VERTIN, respectively. (HIN may also be used for composite sync without video.)

Composite video input signals should be connected to SYNCIN. This should be AC coupled from a low impedance source. The input resistance is in the order of 100k Ω . After H lock is obtained, this signal will be "soft clamped" (5k Ω) to approximately 20% of the V_{CCA1} voltage.

In the default mode, the clamping action ensures that the correct slicing levels will be used throughout the field.

(Serial Mode) This operation can be modified through Register 9. The soft clamp can be disabled by setting bit 3 to

Hi. Setting bit 1 to high will disconnect the input bias network.

Once the acquisition process is complete (see below for description), the slice level will be adaptive. The sync signal is measured from sync tip to blanking level; (Tri-level is measured between negative and positive sync tips). The slice level is then set to 50% of these levels.

(Serial Mode) It is possible to force the slicing level to remain at the fixed level of 78mV above the sync tip; Register 2, bit 5 is set High to do this. This can help when dealing with signal that have bursts of noise, or formats that have signals that will modify the sync amplitude measurement process.

VGA type of signals will be connected to the HIN and VERTIN pins (use HIN for combined H & V). These are DC coupled signals; they will be sliced at a fixed level of approximately 1.4V. These inputs may be any combination of positive and negative polarities; the EL4511 will inverss (u wTJT*0.001

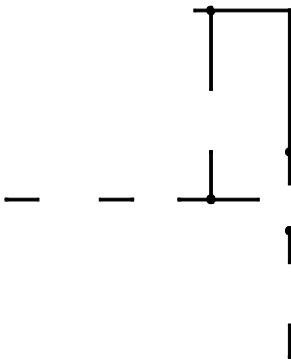
Video Format Switching

The part should be powered down for at least 500µs to reset the internal registers when the input video signal is switched from one video format to another video format. It is possible the part will generate wrong outputs if it is not powered down between two different input video signals.

USE OF THE POWER DOWN FUNCTION

The Power down pin (pin 4) can be used to hard reset the internal circuit of the EL4511. To disable the internal circuit, just apply a 5V to the power down pin. To enable the internal circuit, just apply a 0V to the power down pin.

The SYNCLOCK pin 3 minus edge can be used to generate a 5V 500µs pulse to the PDWN pin 4 to reset the internal digital registers automatically when the video input has a changed video format.



Horizontal Rate Acquisition Oscillator

This oscillator is frequency locked to 512 times the horizontal rate. This clock signal generates the timing and gating signals that are employed internally by the EL4511. This operation is entirely automatic and requires no input from the external circuitry or microprocessor.

(Serial Mode) It is possible to gain access to this oscillator O/P by changing the assignment of pin 2 (V_{BLANK}) or pin 23 (ODD/EVEN).

Register 6, bits 7:6 make this selection; see Table 1 for allocations.

TABLE 1. ACQUISITION CLOCK MULTIPLEXER

CmuxCtrl	ACTION
Reg6 b7 b6	
0 0	Normal Operation
0 1	Clock multiplexed onto Odd/Even (pin 23)
1 0	Clock multiplexed onto V_{BLANK} (pin 2)
1 1	Reserved

(Serial Mode) The oscillator frequency is adjusted at the beginning of the line. At the time of frequency adjustment the clock O/P may have a phase discontinuity.

Advanced Sync Separator

Once the line rate has been determined, the signal can be analyzed by the advanced sync separator. This has been designed to be compatible with a wide range of video standards, operating with horizontal line rates up to 150kHz. PAL/NTSC/SECAM; HDTV, including bi-level and tri-level sync Standards and computer display syncs. The EL4511 can be programmed to disable the detection of either bi-level or tri-level sync signals or to prioritize the detection of one sync signal type over the other.

If the vertical sync input pin, VERTIN, is enabled, the EL4511 will automatically detect whether a valid signal is present on that pin, and incorporate that signal into the algorithm. Otherwise, the input signal on which the horizontal sync was detected will be treated as a composite sync. The sync separator also includes a qualification scheme which rejects high frequency noise and other video artifacts, such as color burst. The horizontal line rate is automatically acquired from the signal (see above.) A digital filter is included in the signal path to remove noise and glitches; this may be removed if the extra delay it incurs needs to be removed. **(Serial Mode)** Setting register 2, bit 4 to Low will remove the filter.

After the signal has been identified and the qualification process is complete, the SYNCLOCK pin will go high and the output waveforms will be enabled. **(Serial Mode)** These may be enabled all the time by setting register 1, bit 6 to a high state. This can help noisy and varying signals as the revalidation does not have to take place before the signals are available at the outputs, See Figures 4 through 7 for examples of various types of input signal.

Part of the signal recognition algorithm uses the number of horizontal lines between vertical pulses. A counter is clocked by the Hclock, this counter is also used to generate vertical timing pulses. **(Serial Mode)** This count information is available via the serial I/F; this is a 12 bit number.

(Serial Mode) The lines per frame count is available at register 8, bits 7:4 for the MSBs; the LSBs are available at register 7, bits 7:0. Register 8, bit 2 indicates that the lines/frame counter has been updated when it is high.

This counter also generates the V_{BLANK} waveform. Using a look up table, the default blanking is based on number of lines in the field. **(Serial Mode)** This operation may be disabled by setting register 3, bit 7 to a low. As this is dependent on application and product usage, this may be modified. Register 3, bits 6:0 will set the number of horizontal lines after VERTOUT leading edge. Register 4, bits 7:4 sets the number of lines before the VERTOUT leading edge.

to Lock and Level Indicators

of video signal can be detected by monitoring the LOCK pin 3. This pin goes high once the detector has detected a valid sync signal and stays high until the signal is lost for more than 20 successive lines. (e) This signal is also available at register 20. Acquisition signals available from the system are listed in table 4.

The sync tip amplitude is buffered with a resistor network to produce a positive, ground-referenced signal at the LEVEL pin. This output can be used for level detection.

Decode Mode

In order to allow more flexibility when using the serial interface, the XTAL and XTALN pins default to enable four control modes. Software can be used to over-ride sync type used. See register 13 for details.

Serial Mode) The all-signal type as the default mode when the crystal is present (set bit 6 of Reg9 to 1) except the mode is disabled in Reg13 and Reg14.

Bi-level mode is for bi-level signals. The tri-level mode is for tri-level signals. The VGA only mode is for VGA signals signal only.

2. MODE CONTROL

XTAL	XTALN	MODE
0	1	1
1	0	1
1	1	1

0	1	1	Tri-Level Only
1	0	1	Bi-Level Only
1	1	1	VGA only
Set by			Crystal
Serial I/F			is

Application

The following are the following system configurations:

Application Country ap

This example shows the configuration for vertical sync signals for an NTSC system. The video waveform is generated in a separate section.

The EL4 pin is used to ensure that the sync signal is within the frequency range with the "P" signal. Earlier generations of the processor have a separate pin for this purpose.

where the signal is connected in the system. The signal is at pins 1 & 24. The signal is low, and the signal is high. (See the signal details.)

Internal pull-up/down resistors on XTAL & XTALN pins. Every pin has a 10kΩ pull-up/down resistor to operate.

By default, the processor will wake up with Register 9, bit 6 set to 1. This is the use of logic level on pins 1 & 24. The signal is high, and the signal is low. (See the signal details.)

By default, the mode is set to serial. The signal is high, and the signal is low. The logic level is high, and the logic level is low. The signal is high, and the signal is low.

Application 2 (application using mode setting logic signals)

In this example, the requirement is to provide the synchronizing information in a small display device. In this example the incoming sync signals may come from one of three sources. Computer, HDTV Set-top Box or an NTSC/PAL tuner.

The EL4511 has the advantage that the sync separation is carried out over a wide frequency range without the need to

adjust "R_{SET}" as required by earlier generations of sync separators.

As there is no Microcontroller connected in this example, there is no need for a XTAL at pins 1 & 24. These pins can be used to force the EL4511 to select the correct operation (and speed up acquisition).

Note that a Low Pass Filter is in the NTSC/PAL signal path to reduce noise, glitches and subcarrier. (In signals with bad Chroma/Luma gain balance, the subcarrier can extend into the sync slicing level) (See Table 2 for details.)

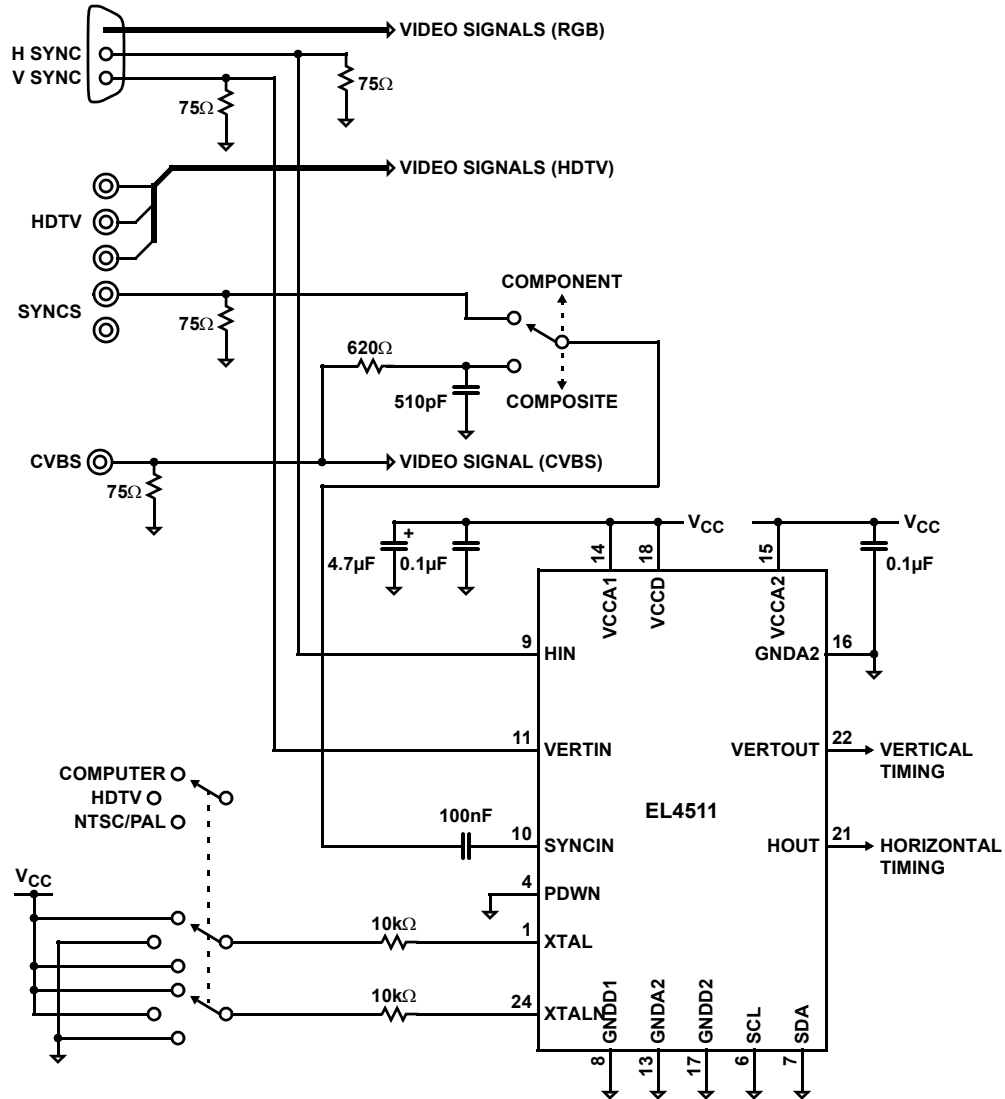


FIGURE 9. APPLICATIONS DRAWING 2

Serial Mode Operation

See "Description of Operation" for more details of (Serial Mode).

Using the Reference Oscillator and Counter

A counter is provided for measuring the vertical time interval; this counts the clocks at the XTAL pin 1 between vertical pulses.

This information is not necessary for the operation of the chip; only for information to the system micro-control. The count value is read from register 14 at bits 7:6 for the MSBs, the LSBs are available in register 13, bits 7:0. Register 14, bit 4 should be a high to indicate that the read operation did not collide with the up-date timing.

If the crystal oscillator is enabled through the serial interface (Register 9, bit 6, ENXTAL), the XTAL and XTALN pins will become the crystal input and crystal output pins for the 32.7kHz crystal. It is also possible to drive the XTAL pin with a logic level clock up to a maximum of 50kHz; this signal is only used to measure the vertical rate.

Example:

Using a 32.768kHz crystal, the count period is 30.52µs. With a 20ms vertical rate, there will be approximately 656 cycles (290 Hex) in the "counts per field" registers 13 and 14. With a 16.666ms vertical rate, the count of 546 (222 Hex) will be seen.

Computer & Control Interface

In addition to the mode control pins, the chips default operating mode may be changed by way of a serial interface. This is of the three-wire type, Data, clock and /enable. After the /ENABLE line (pin 5) is taken low, the 16 bits of data on the SDA pin 7 will be clocked into the chip by the clock signal SCL pin 6. See Figure 10.

The first bit of the data determines whether it will be a read or write operation. When set to a "0", a write operation will take place. The following 7 bits, select the register to be written to. Finally, the last 8 bits are the data to be written or read. For a read operation, the first bit is a "1".

In general, when registers entries are changed, the unchanged register bits must have the "Reset Values" entered as defined by Table 5.

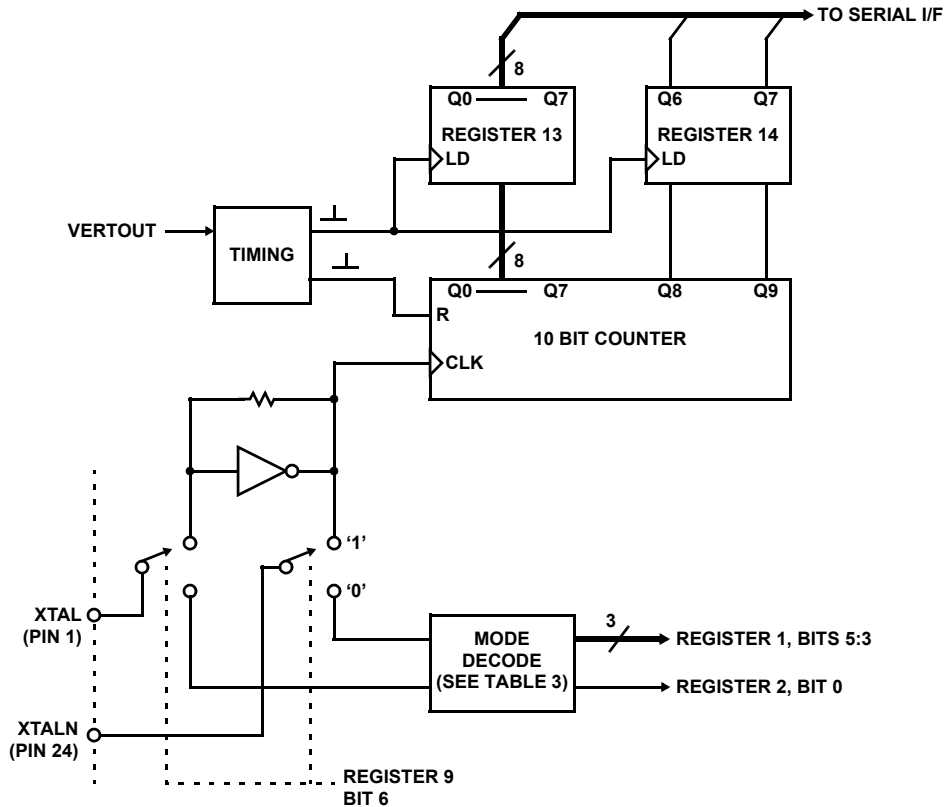


FIGURE 10. BLOCK DIAGRAM OF REFERENCE OSCILLATOR

TABLE 3. MODE CONTROL TRUTH TABLE
(see also Table 2 for hardware over-ride)

MODE CTRL	EnTri Level	EnBi Level	EnHin Vin	TriLevel Priority	Hin Priority	HinVin Only
Reg 1 b5 b4 b3						
0 0 0	1	1	1	0	0	0
0 0 1	1	1	1	0	1	0
0 1 0	1	1	1	1	0	0
0 1 1	1	0	0	1	0	0
1 0 0	0	1	1	0	0	0
1 0 1	0	1	0	0	0	0
1 1 0	0	1	1	0	1	0
1 1 1	0	1	1	0	1	1

EnTriLevel, EnBiLevel and EnHinVin; these enable tri-level sync detection, two-level sync detection and separate H/V (VGA) sync detection, respectively.

Other signals used to prioritize tri-level syncs (TriLevPriority), separate H/V (Hin Priority), or to only allow signals from HIN/VERTIN (HinVinOnly).

TABLE 4. ACQUISITION CONTROL SIGNALS

REGISTER	BIT	SIGNAL NAME	DESCRIPTION
8	3	En50Slice	1 = Sample and Hold front end is in use
8	1	Progressive	1 = Progressive scan detected
8	0	Tri-Level Detected	1 = Tri-Level syncs detected
9	5	$\overline{\text{ENLEVEL BLANKING}}$	1 = V _{LEVEL} is available when system is not locked
9	4	$\overline{\text{ENLEVEL}}$	1 = Disable V _{LEVEL} Output
9	2	$\overline{\text{ENALOS}}$	1 = Analog loss of signal not used in lock indication.
14	5	SYNCKLOCK	Same information as SYNCKLOCK pin 3
16	4	RateLocked	Line rate is locked
16	3	ALOS	Sync Amplitude is below minimum

TABLE 5. SERIAL INTERFACE REGISTER BIT ALLOCATIONS

REGISTER NUMBER	REGISTER BIT	SIGNAL NAME	TYPE	RESET VALUE	DESCRIPTION AND COMMENTS
1		General Control Reg 1	R/W	00h	
	7	General Reset		0	Software reset. Does not affect serial interface.
	6	AlwaysEnOutputs		0	Overrides internal qualification of outputs.
	5:3	ModeCtrl		0	Sync acquisition. Selects input signal. See Table 3.
2		General Control Reg 2	R/W	10h	
	5	Select Fixed Slicing (no S/H)		0	Necessary for SECAM. May be useful for VCRs.
	4	FILTER_ENABLED		1	Set Hi to include digital filter on horizontal input.
	1	OE_MODE		0	Set Hi for Odd/Even changes on rising edge of vertical.
3		VBLANK Control Reg 1	R/W	90h	
	7	EnVBlank		1	Enables vertical blank interval detection algorithm.
	6:0	VSTPlusBP		10h	Number of lines after vertical sync time.
4		VBLANK & Polarity Ctrl	R/W	4Fh	
	7:4	VFrontPorch		4h	Number of lines before vertical sync time.
	3	DefaultHPolarity		1	HIN polarity on reset if EnHPolarityDet = Lo.
	2	DefaultVPolarity		1	VERTIN polarity on reset and if EnVpolarityDet = Lo.
	1	EnHPolarityDet		1	Allows EL4511 to detect and set polarity on HIN.
	0	EnVPolarityDet		1	Allows EL4511 to detect and set polarity on VERTIN.
6		Oscillator Control 2	R/W	22h	
	7:6	CMuxCtrl <1:0>		0	Multiplexes clock onto VBLANK or Odd/Even. See Table 1.
7		VBLANK O/P Reg 1	R		Only valid if VBLANK circuit is enabled
	7:0	LinesPerFrame <7:0>		-	Least significant byte of lines per frame count.
8		VBLANK O/P Reg 2 & Misc	R	80h	
	7:4	LinesPerFrame <11:8>		-	Most significant 4 bits of lines per frame count.
	3	En50Slice		-	Indicates sample and hold front end is being used.
	2	LPFValid		-	Indicates lines per frame has been updated.
	1	progressive		-	Not valid for certain types of composite sync.
	0	tri-level detect		-	Only valid if tri-level sync detected.
9		Analog Control Reg 1	R/W		
	6	ENXTAL		0	Set Hi to enable crystal oscillator.
	5	ENLEVELBLANKING		0	Set Hi to enable V _{LEVEL} when not locked.
	4	$\overline{\text{ENLEVEL}}$		0	Set Hi to disable V _{LEVEL} output.
	3	$\overline{\text{ENSYCLAMP}}$		0	Set Hi to disable "soft" sync tip clamping in SYNCIN.
	2	$\overline{\text{ENALOS}}$		0	Set Hi to disable analog loss of signal feature.
	1	$\overline{\text{ENRVIDEO}}$		0	Set Hi to disable internal biasing on SYNCIN (passive resistor or soft clamp.)
	0	PWRSAVE		0	Set Hi to put the analog circuit into powersave mode.
13		Absolute Timing Ref 1	R		
	7:0	CountsPerField <7:0>		-	Crystal clock periods per field: L.S. Byte. (see description)
14		Absolute Timing Ref 2 & Misc	R		

TABLE 5. SERIAL INTERFACE REGISTER BIT ALLOCATIONS (Continued)

REGISTER NUMBER	REGISTER BIT	SIGNAL NAME	TYPE	RESET VALUE	DESCRIPTION AND COMMENTS
	7:6	CountsPerField <9:8>		-	Crystal clock periods per field: Bits 9:8. (see description)
	5	SyncLock			As sync lock pin.
	4	CPFValid		-	Counts per field valid. Set L if read occurs during an update.
	3	SetBiLevel		-	Lo: Tri-level mode; Hi: Bi-level mode.
	2	VinSyncDet		-	Indicates vertical sync on VERTIN successfully acquired.
	1	VinPolarity		-	VERTIN polarity setting: Observe.
	0	HPolarity		-	HIN polarity setting: Observe.
16		Oscillator Settings Observe 2	R		
	4	RateLocked		-	Indicates line rate successfully acquired.
	3	ALOS		-	Analog loss of signal, measured via S/H. H indicates analog signal amplitude is below threshold.

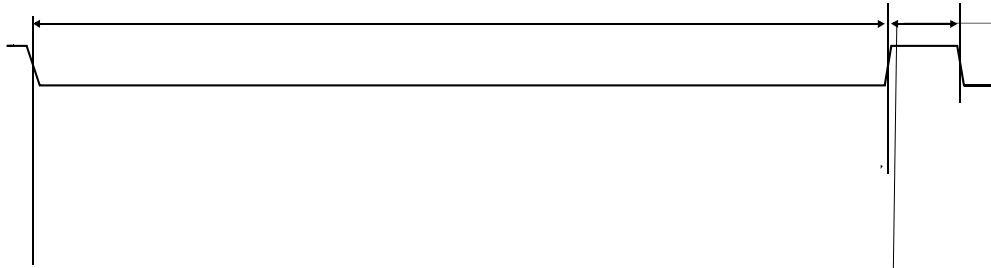


FIGURE 11. SERIAL INTERFACE TIMING DIAGRAM

Application 3 (application using a microcontroller interface)

In this example, the requirement is to provide the synchronizing information in a video digitizing interface. This example is very similar to the example in application 2. In this example the incoming sync signals may come from one of three sources. Computer, HDTV source or an NTSC/PAL device.

As there is a Microcontroller connected in this example, a 32.768kHz XTAL is connected to pins 1 & 24; this will allow the system microcontroller to gather timing information for

the vertical rate. To enable the crystal oscillator, register 9, bit 6 must be set to a high.

Note that a Low Pass Filter is in the NTSC/PAL signal path to reduce noise, glitches and subcarrier. (In signals with bad Chroma/Luma gain balance, the subcarrier can extend into the sync slicing level).

As some of the signals in this application were non standard formats, the fixed slice mode is used by setting register 2, bit 5 to a high. Register 1, bit 6 is also set to a high. This forced the EL4511 to provide outputs even when the input signals are not recognized by the internal algorithms.

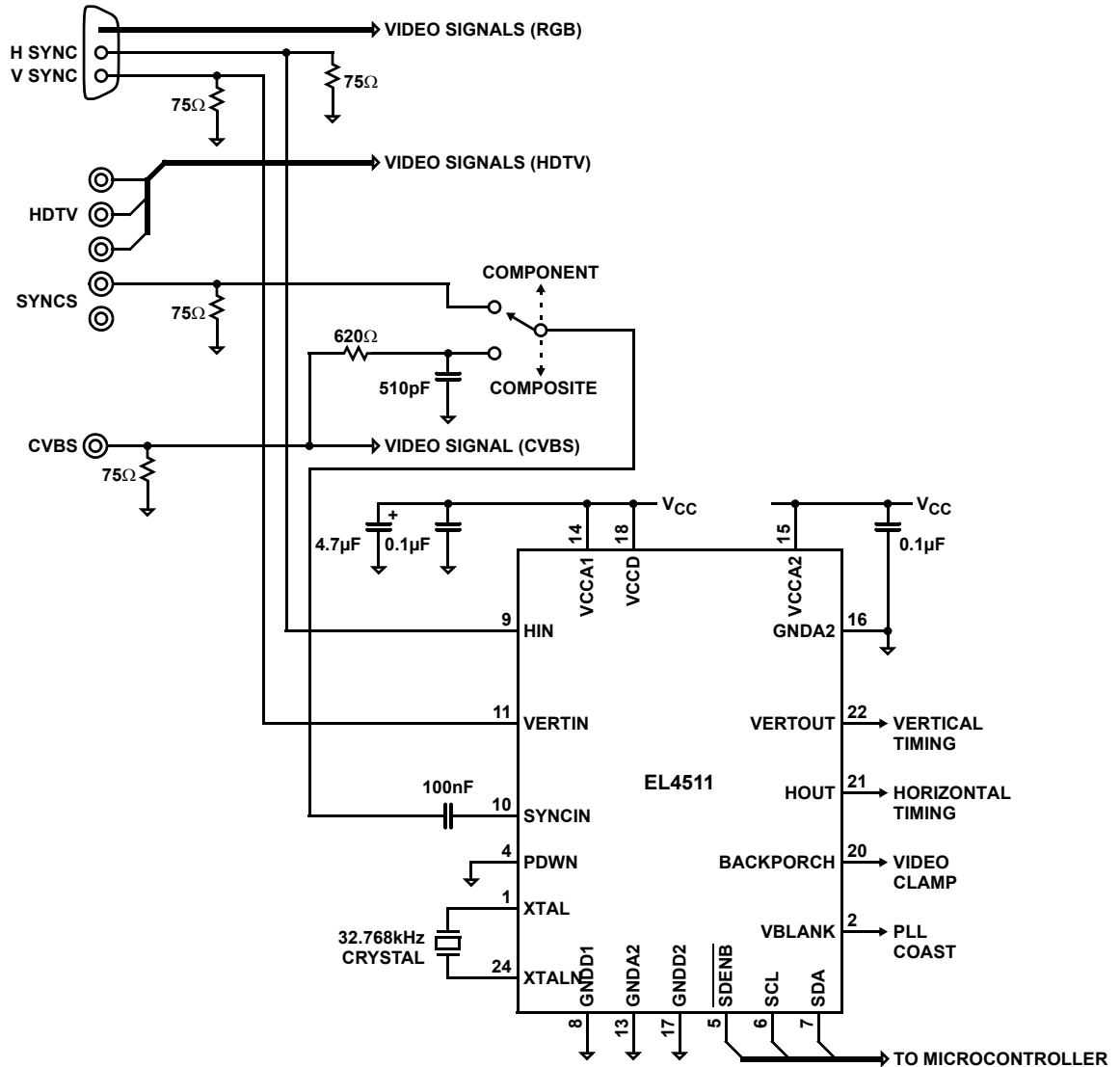


FIGURE 12. APPLICATIONS DRAWING 3

All Intersil U.S. products are manufactured, assembled and tested utilizing ISO9000 quality systems. Intersil Corporation's quality certifications can be viewed at www.intersil.com/design/quality

Intersil products are sold by description only. Intersil Corporation reserves the right to make changes in circuit design, software and/or specifications at any time without notice. Accordingly, the reader is cautioned to verify that data sheets are current before placing orders. Information furnished by Intersil is believed to be accurate and reliable. However, no responsibility is assumed by Intersil or its subsidiaries for its use; nor for any infringements of patents or other rights of third parties which may result from its use. No license is granted by implication or otherwise under any patent or patent rights of Intersil or its subsidiaries.

For information regarding Intersil Corporation and its products, see www.intersil.com