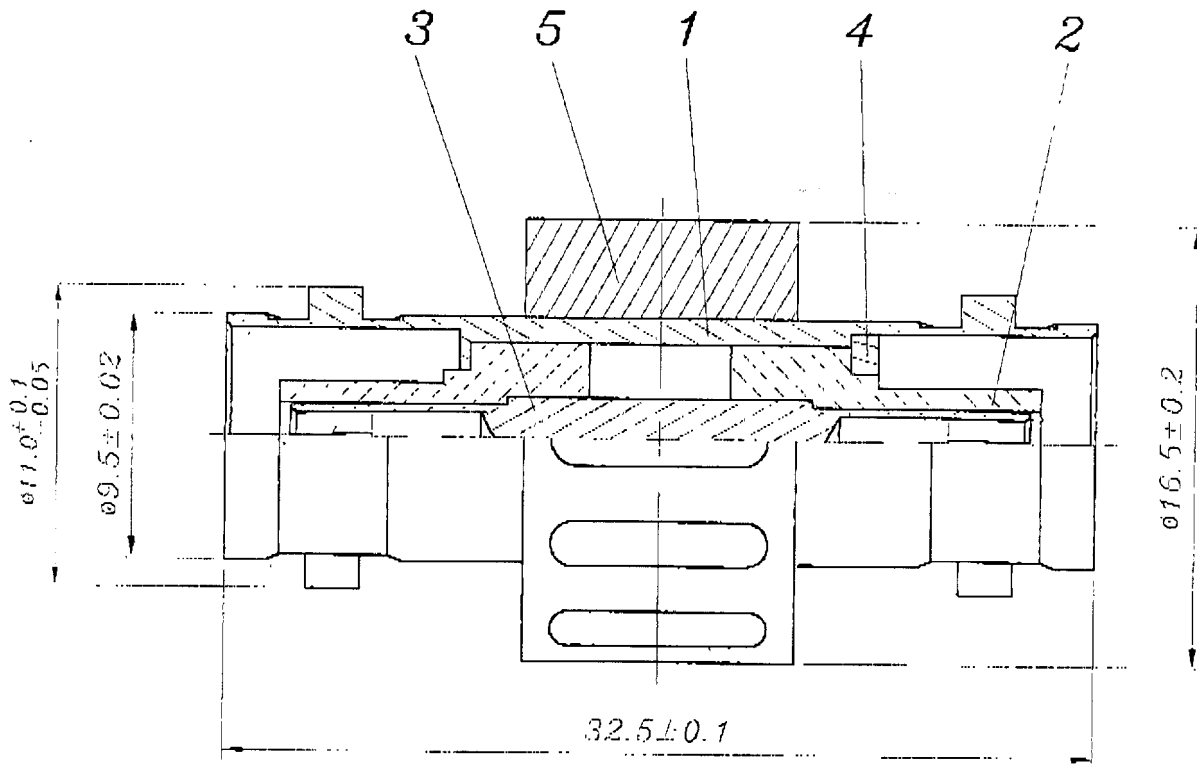


779556



5	INSULATOR BODY	ABS	1
4	RING	BRASS/NICKEL PLATE	1
3	CONTACT	BRASS/GOLD PLATE	1
2	INSULATOR	DELFIN	2
1	BODY	BRASS/NICKEL PLATE	1
NO	DESCRIPTION	MATERIAL	QTY

SPECIFICATION

IMPEDANCE : 50 OHMS

FREQUENCY : 0-4 GHz

VOLTAGE RATING : 500 VOLTS PEAK

DIELECTRIC WITHSTANDING VOLTAGE : 1500 VOLTS rms

VSWR : 1.3 MAX



Dersing Electronics Co., Ltd.

Description	A002N000:BNC DUAL FEMALE IF TYPE		
Part No.	A002N000-00130	Date	87-04-16
Drawn	STEVE 87-04-16	Dwg No.	0870416-003
Checked	STEVE 87-04-16	Unit	mm
Approved		Page 1 of 1	Rev. 1

PART NO: A002IFBLK

REMARK:
WITHOUT ANY NOTICE THE TOLERANCE WILL BE ±1 mm.

A002N000-00130

QL-0502-04-02