

MP006803 - SMA Straight Plug Crimp

**RoHS
Compliant**

Electrical

- Frequency Range : DC to 12.4GHz
- Nominal Impedance : 50Ω
- Voltage Rating : 335 Volts Max.
- VSWR : 1.5 Max. @ 12.4 GHz
1.22 Max. @ 6.1 GHz

Materials

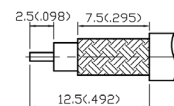
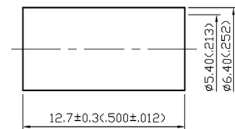
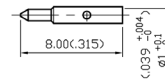
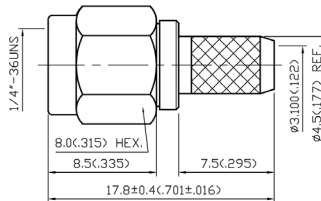
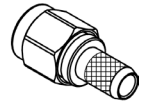
- Bodies : Brass Per JIS-C3604
- Centre Contact : Brass Per JIS-C3604
- Insulation : PTFE Per ASTM D1457 and ASTM D1710
- Crimp Ferrule : Brass Per JIS-C2700

Mechanical

- Interface in Accordance with : MIL-STD-348A
- For use with RG58U or Similar Style Cable
- Cable Attachment : Outer: Crimp, Inner: Solder/Crimp
- Recommended Coupling Torque : 3 to 5 in-lbs
- Crimp size Required : Contact: 092(.036) SQ. Crimp Tool
Ferrule: 5.5(.216) HEX. Crimp Tool

Environmental

- Operating Temperature Range : -40°C to +70°C



STRIPPING DIMENSION

Finishes and Others

No	Description	Material	Finish
1	Shell	Brass	Gold 3μ" Min. Over Electroless Nickel 50μ" Min.
2	Gasket	Silicon	Red
3	Washer	Stainless Steel	None
4	Insulation	PTFE	None
5	Body	Brass	Gold 3μ" Min. Over Electroless Nickel 50μ" Min.
6	Centre Contact	Brass	Gold 50μ" Min. Over Electroless Nickel 50μ" Min.
7	Crimp Ferrule	Brass	Gold Min. Over Electroless Nickel 50μ" Min.

MP006808 - SMA Straight Square Flange Jack Receptacle

Electrical

- Frequency Range : DC to 18GHz
- Nominal Impedance : 50Ω
- Voltage Rating : 335 Volts Max.
- VSWR : 1.23 Max. @18 GHz
1.2 Max. @6.1 GHz

Materials

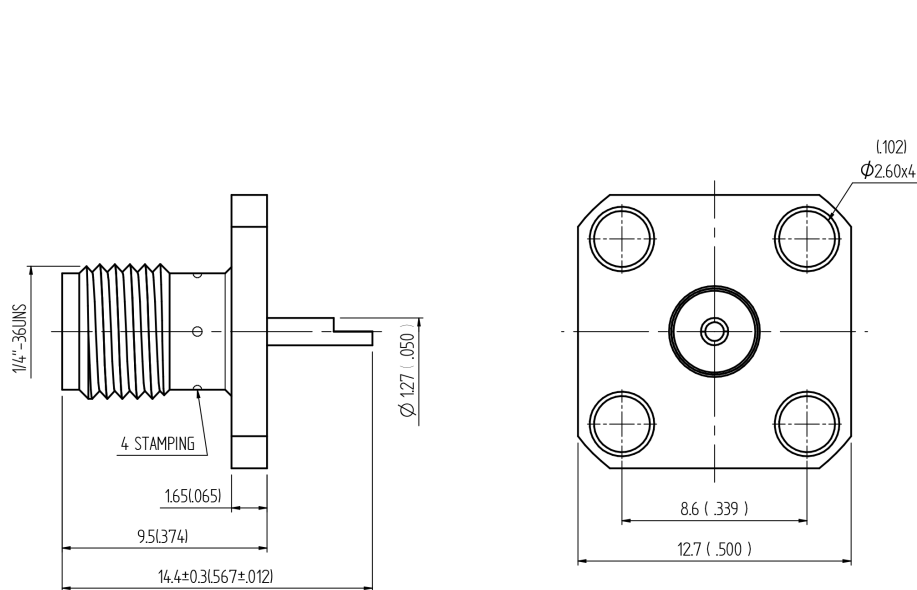
- Bodies : Brass Per JIS-C3604
- Centre Contact : Beryllium Copper per ASTM B196 UNS C17300
- Insulation : PTFE per ASTM D1457 and ASTM D1710

Mechanical

- Interface in Accordance with : MIL-STD-348A

Environmental

- Operating Temperature Range : -40°C to +70°C



Finishes and Others			
No	Description	Material	Finish
1	Body	Brass	Gold 50μ" Min. Over Electroless Nickel 50μ" Min.
2	Insulation	PTFE	None
3	Centre Contact	Beryllium Copper	Gold 50μ" Min. Over Electroless Nickel 50μ" Min.

MP006809 - SMA Straight End Launch Bulkhead Jack Receptacle

Electrical

- Frequency Range : DC to 18GHz
- Nominal Impedance : 50Ω
- Voltage Rating : 335 Volts Max.
- VSWR : 1.23 Max. @18 GHz
1.2 Max. @6.1 GHz

Materials

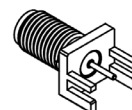
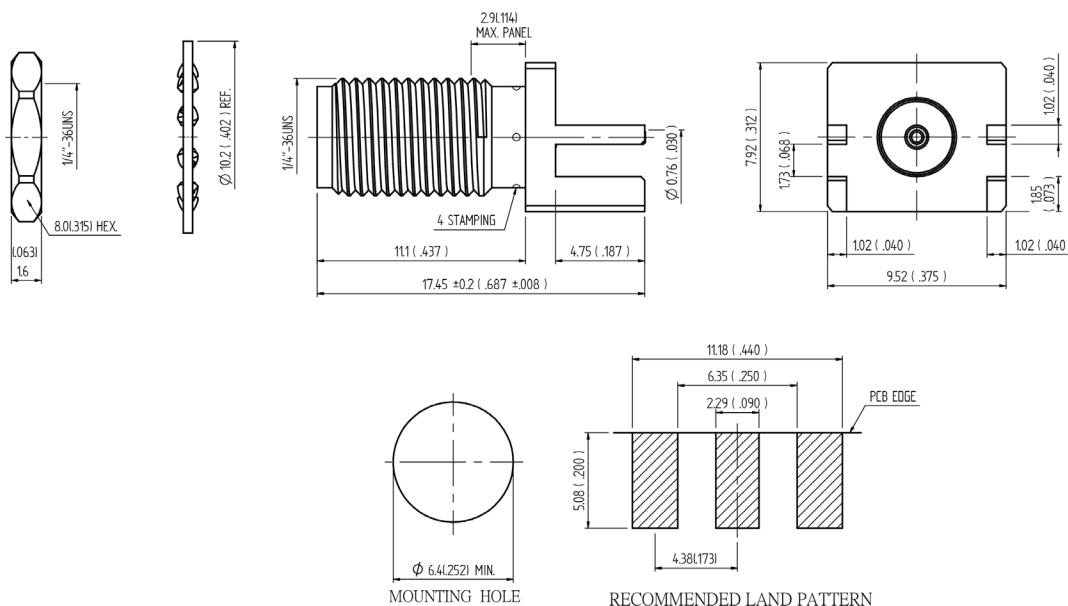
- Bodies : Brass Per JIS-C3604
- Centre Contact : Beryllium Copper per ASTM B196 UNS C17300
- Insulation : PTFE per ASTM D1457 and ASTM D1710

Mechanical

- Interface in Accordance with : MIL-STD-348A

Environmental

- Operating Temperature Range : -65°C to +165°C



Finishes and Others			
No	Description	Material	Finish
1	Body	Brass	Gold 10μ" Min. Over Electroless Nickel 50μ" Min.
2	Insulation	PTFE	None
3	Centre Contact	Beryllium Copper	Gold 50μ" Min. Over Electroless Nickel 50μ" Min.
4	Washer	Brass	Gold 10μ" Min. Over Electroless Nickel 50μ" Min.
5	Nut	Brass	Gold 10μ" Min. Over Electroless Nickel 50μ" Min.

MP006810 - SMA Right Angle PCB Mount Jack Receptacle

Electrical

- Frequency Range : DC to 18GHz
- Nominal Impedance : 50Ω
- Voltage Rating : 335 Volts Max.
- VSWR : 1.29 Max. @12.4 GHz
1.4 Max. @18 GHz
1.22 Max. @6.1 GHz

Materials

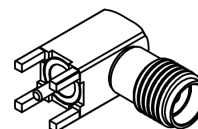
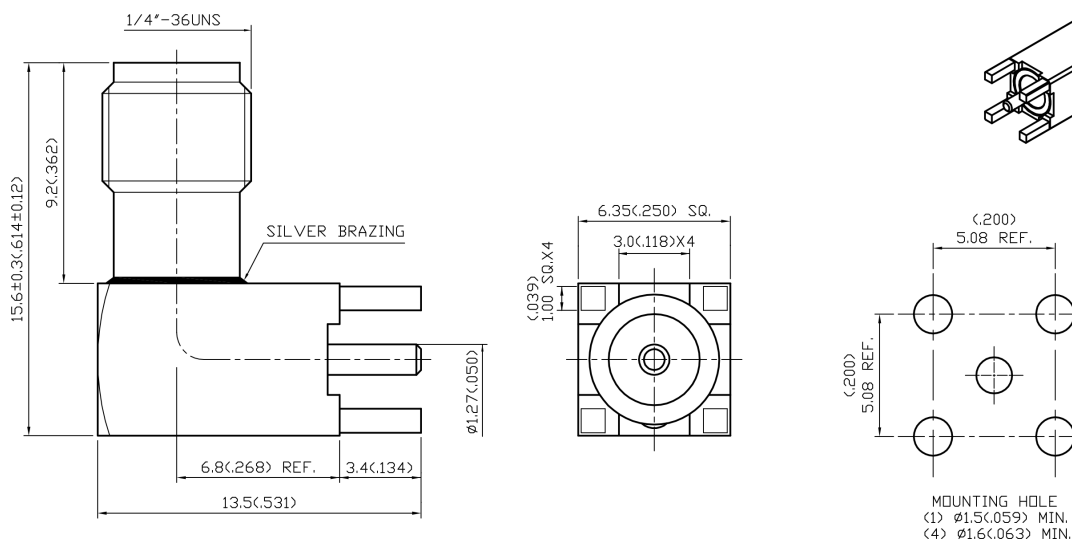
- Bodies : Brass Per JIS-C3604
- Centre Contact : Beryllium Copper per ASTM B196 UNS C17300
- Insulation : PTFE per ASTM D1457 and ASTM D1710

Mechanical

- Interface in Accordance with : MIL-STD-348A

Environmental

- Operating Temperature Range : -65°C to +165°C



Finishes and Others			
No	Description	Material	Finish
1	Chassis	Brass	Gold 10μ" Min. Over Electroless Nickel 50μ" Min.
2	Insulation	PTFE	None
3	Centre Contact	Beryllium Copper	Gold 50μ" Min. Over Electroless Nickel 50μ" Min.
4	Body	Brass	Gold 10μ" Min. Over Electroless Nickel 50μ" Min.
5	Washer	Brass	Gold 10μ" Min. Over Electroless Nickel 50μ" Min.
6	Insulation	PTFE	None

MP006811 - SMA Straight Plug Crimp

Electrical

- Frequency Range : DC to 12.4GHz
- Nominal Impedance : 50Ω
- Voltage Rating : 250 Volts Max.
- VSWR : 1.22 Max. @6.1 GHz
1.4 Max. @12.4 GHz

Materials

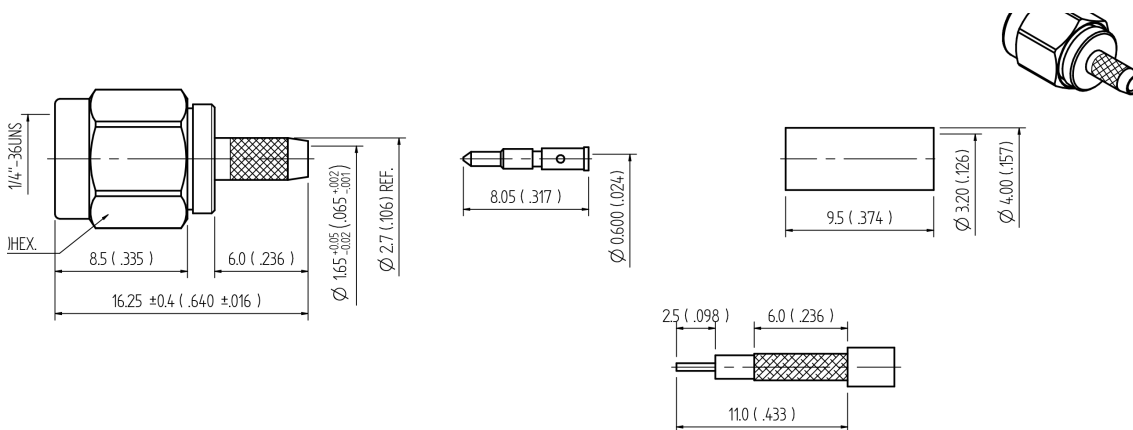
- Bodies : Brass Per JIS-C3604
- Centre Contact : Beryllium Copper per ASTM B196 UNS C17300
- Insulation : PTFE per ASTM D1457 and ASTM D1710

Mechanical

- Interface in Accordance with : MIL-STD-348B
- Cable Attachment : Outer: Crimp, Inner: Solder
- Recommended Coupling Torque : 7 to 10 in-lbs
- Crimp size Required: Ferrule : 3.5(.138) Hex. Crimp tool
- For use with RG316 or Similar Style Cable

Environmental

- Operating Temperature Range : -65°C to +165°C



STRIPPING DIMENSION

Finishes and Others			
No	Description	Material	Finish
1	Shell	Brass	Gold 10µ" Min. Over Electroless Nickel 50µ" Min.
2	Insulation	PTFE	None
3	Gasket	Silicon	Red
4	Washer	Stainless Steel	None
5	Insulation	PTFE	None
6	Body	Stainless Steel	Gold 10µ" Min. Over Electroless Nickel 50µ" Min.
7	Centre Contact	Brass	Gold 50µ" Min. Over Electroless Nickel 50µ" Min.
8	Crimp Ferrule	Brass	Gold 10µ" Min. Over Electroless Nickel 50µ" Min.

MP006812 - SMA Right Angle Plug Crimp

Electrical

- Frequency Range : DC to 12.4GHz
- Nominal Impedance : 50Ω
- Voltage Rating : 250 Volts Max.
- VSWR : 1.22 Max. @6.1 GHz
1.52 Max. @12.4 GHz

Materials

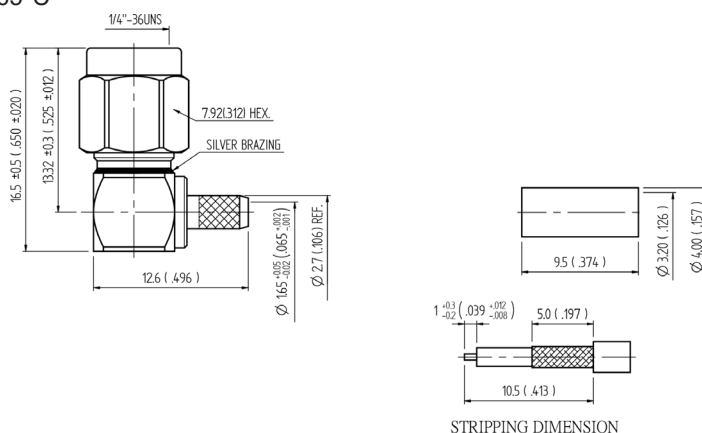
- Bodies : Brass Per JIS-C3604 Stainless Steel per JIS SUS 303
- Centre Contact : Brass Per JIS-C3604
- Insulation : PTFE per ASTM D1457 and ASTM D1710
- Crimp Ferrule : Brass per JIS-C2700

Mechanical

- Interface in Accordance with : MIL-STD-348B
- Cable Attachment : Outer: Crimp, Inner: Solder
- Recommended Coupling Torque : 7 to 10 in-lbs
- Crimp size Required : Ferrule : 3.5(.138) Hex. Crimp tool
- For use with RG316 or Similar Style Cable

Environmental

- Operating Temperature Range : -65°C to +165°C



Finishes and Others			
No	Description	Material	Finish
1	Shell	Brass	Gold 10μ" Min. Over Electroless Nickel 50μ" Min.
2	Gasket	Silicon	Red
3	Body	Stainless Steel	Gold 10μ" Min. Over Electroless Nickel 50μ" Min.
4	Washer	Stainless Steel	None
5	Centre Contact	Brass	Gold 50μ" Min. Over Electroless Nickel 50μ" Min.
6	Insulation	PTFE	None
7	Chassis	Stainless Steel	Gold 10μ" Min. Over Electroless Nickel 50μ" Min.
8	Cap	Brass	Gold 10μ" Min. Over Electroless Nickel 50μ" Min.
9	Crimp Ferrule	Brass	Gold 10μ" Min. Over Electroless Nickel 50μ" Min.

MP006815 - MCX Straight PCB Mount Jack Receptacle

Electrical

- Frequency Range : DC to 6.1GHz
- Nominal Impedance : 50Ω
- Voltage Rating : 335 Volts Max.
- VSWR : 1.2 Max. @6 GHz
1.22 Max. @6.1 GHz

Materials

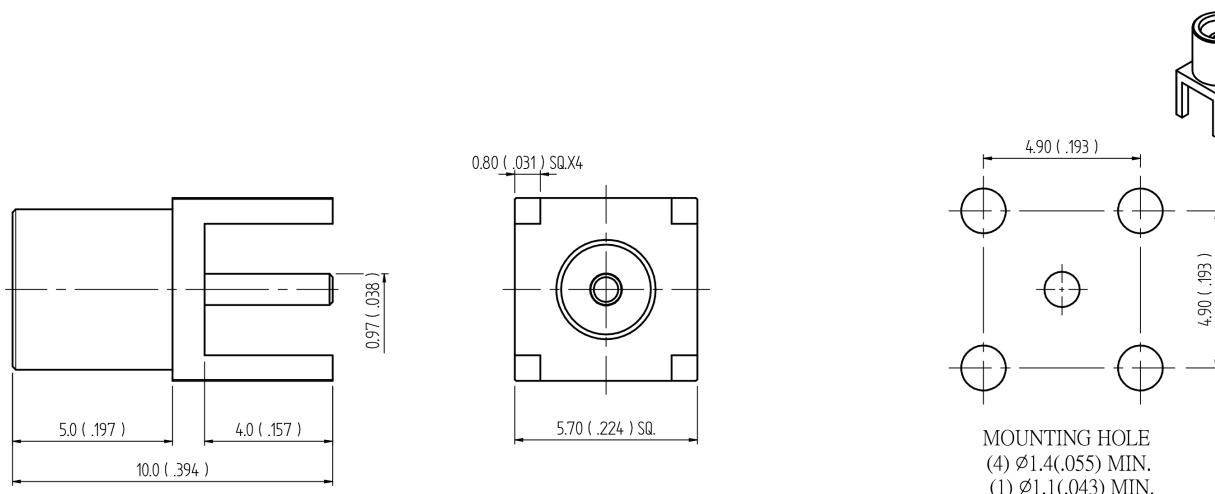
- Bodies : Brass Per JIS-C3604
- Centre Contact : Beryllium Copper per UNS-C17300
- Insulation : PTFE per ASTM D1457 and ASTM D1710

Mechanical

- Interface in Accordance with : CECC 22220

Environmental

- Operating Temperature Range : -55°C to +155°C



Finishes and Others			
No	Description	Material	Finish
1	Body	Brass	Gold 3μ" Min. Over Electroless Nickel 50μ" Min.
2	Centre Contact	Beryllium Copper	Gold 30μ" Min. Over Electroless Nickel 50μ" Min.
3	Insulation	PTFE	None

MP006816 - MCX Right Angle PCB Mount Jack Receptacle

Electrical

- Frequency Range : DC to 6.1GHz
- Nominal Impedance : 50Ω
- Voltage Rating : 335 Volts Max.
- VSWR : 1.22 Max.

Materials

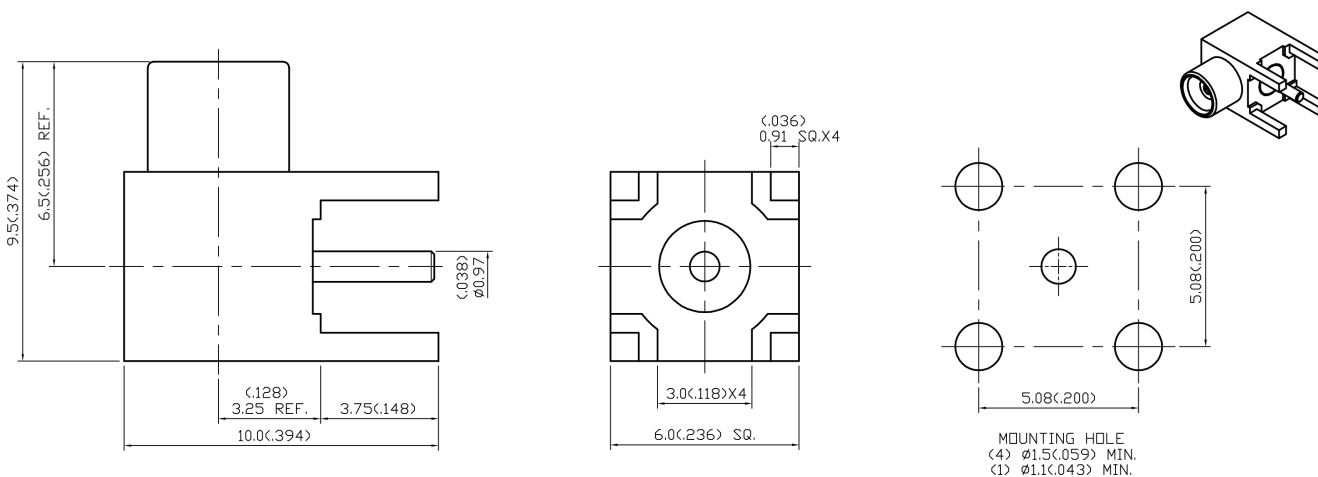
- Bodies : Brass Per JIS-C3604
- Centre Contact : Beryllium Copper per ASTM B196 UNS-C17300
- Insulation : PTFE per ASTM D1457 and ASTM D1710

Mechanical

- Interface in Accordance with : CECC 22220

Environmental

- Operating Temperature Range : -55°C to +155°C



Finishes and Others			
No	Description	Material	Finish
1	Body	Brass	Gold 3μ" Min. Over Electroless Nickel 50μ" Min.
2	Centre Contact	Beryllium Copper	Gold 30μ" Min. Over Electroless Nickel 50μ" Min.
3	Insulation	PTFE	None
4	Insulation	PTFE	None

MP006817 - MCX Straight Plug, Crimp

Electrical

- Frequency Range : DC to 6.1GHz
- Nominal Impedance : 50Ω
- Voltage Rating : 335 Volts Max.
- VSWR : 1.2 Max. @6 GHz
1.22 Max. @6.1 GHz

Materials

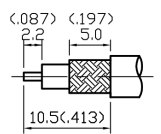
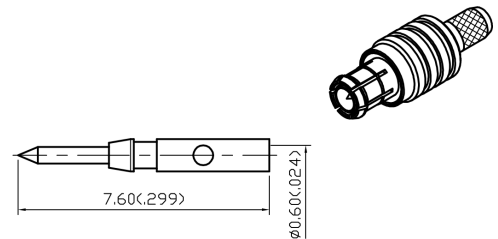
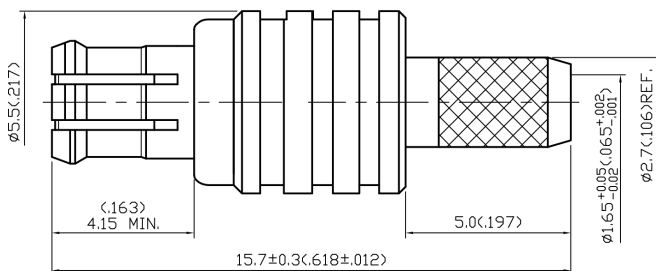
- Bodies : Brass Per JIS-C3604 Stainless Steel per JIS SUS 303
- Centre Contact : Brass Per JIS-C3604 Beryllium Copper per ASTM B196 UNS-C17300
- Insulation : PTFE per ASTM D1457 and ASTM D1710
- Crimp Ferrule : Brass per JIS-C2700

Mechanical

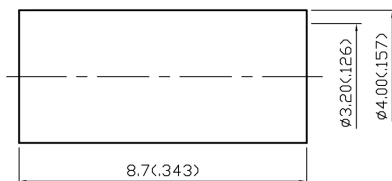
- Interface in Accordance with : CECC 22220
- Cable Attachment : Outer: Crimp, Inner: Solder
- Crimp size Required : Ferrule : 3.5(.138) Hex. Crimp tool
- For use with RG316 or Similar Style Cable

Environmental

- Operating Temperature Range : -55°C to +155°C



STRIPPING DIMENSION



Finishes and Others			
No	Description	Material	Finish
1	Chassis	Beryllium Copper	Gold 3μ" Min. Over Electroless Nickel 50μ" Min.
2	Insulation	PTFE	None
3	Body	Brass	Gold 3μ" Min. Over Electroless Nickel 50μ" Min.
4	Centre Contact	Brass	Gold 30μ" Min. Over Electroless Nickel 50μ" Min.
5	Crimp Ferrule	Brass	Gold 3μ" Min. Over Electroless Nickel 50μ" Min.

MP006818 - MCX Right Angle Plug Crimp

Electrical

- Frequency Range : DC to 6.1GHz
- Nominal Impedance : 50Ω
- Voltage Rating : 335 Volts Max.
- VSWR : 1.22 Max. @6.1 GHz

Materials

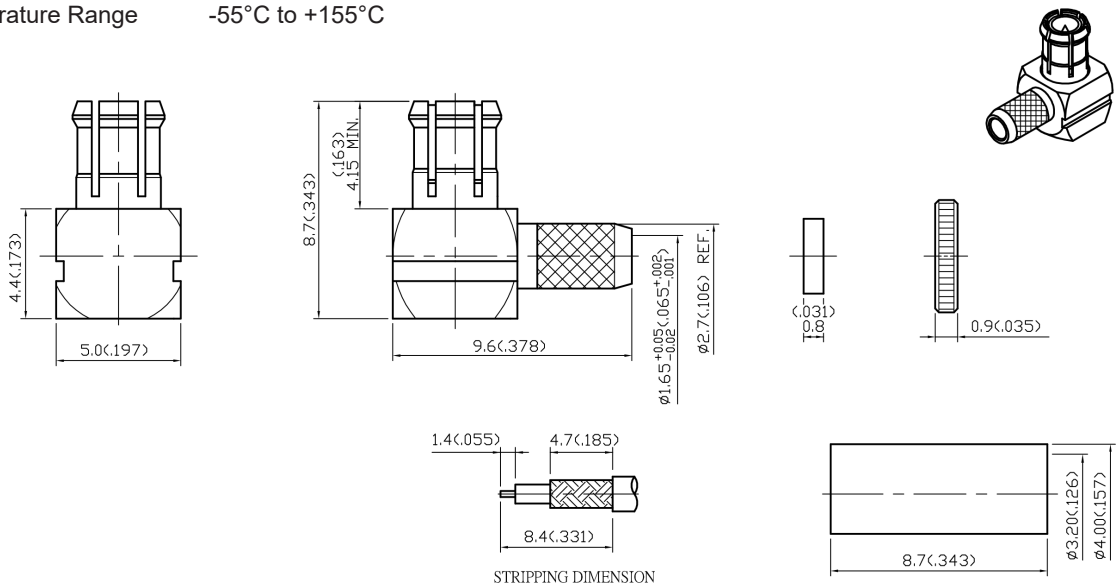
- Bodies : Brass Per JIS-C3604 Beryllium Copper per ASTM B196 UNS-C17300
- Centre Contact : Brass Per JIS-C3604
- Insulation : PTFE per ASTM D1457 and ASTM D1710

Mechanical

- Interface in Accordance with : CECC 22220
- Cable Attachment : Outer: Crimp, Inner: Solder
- Crimp size Required : Ferrule : 3.5(.138) Hex. Crimp tool
- For use with RG316 or Similar Style Cable

Environmental

- Operating Temperature Range : -55°C to +155°C



Finishes and Others			
No	Description	Material	Finish
1	Centre Contact	Brass	Gold 30μ" Min. Over Electroless Nickel 50μ" Min.
2	Insulation	PTFE	None
3	Body	Beryllium Copper	Gold 3μ" Min. Over Electroless Nickel 50μ" Min.
4	Body	Beryllium Copper	Gold 3μ" Min. Over Electroless Nickel 50μ" Min.
5	Insulation	PTFE	None
6	Cap	Brass	Gold 3μ" Min. Over Electroless Nickel 50μ" Min.
7	Crimp Ferrule	Brass	Gold 3μ" Min. Over Electroless Nickel 50μ" Min.

Part Number Table

Description	Part Number
Straight SMA Plug, Crimp, RG58U	MP006803
Straight SMA Square Flange Jack Receptacle	MP006808
Straight SMA End Launch Bulkhead Jack Receptacle, PCB Mount	MP006809
R/A SMA Jack Receptacle, PCB Mount	MP006810
Straight SMA Plug, Crimp, RG316	MP006811
R/A SMA Plug, Crimp, RG316U	MP006812
Straight MCX Jack Receptacle, PCB Mount	MP006815
R/A MCX Jack Receptacle, PCB Mount	MP006816
Straight MCX Plug, Crimp, RG316U	MP006817
R/A MCX Plug, Crimp, RG316U	MP006818

Important Notice : This data sheet and its contents (the "Information") belong to the members of the AVNET group of companies (the "Group") or are licensed to it. No licence is granted for the use of it other than for information purposes in connection with the products to which it relates. No licence of any intellectual property rights is granted. The Information is subject to change without notice and replaces all data sheets previously supplied. The Information supplied is believed to be accurate but the Group assumes no responsibility for its accuracy or completeness, any error in or omission from it or for any use made of it. Users of this data sheet should check for themselves the Information and the suitability of the products for their purpose and not make any assumptions based on information included or omitted. Liability for loss or damage resulting from any reliance on the Information or use of it (including liability resulting from negligence or where the Group was aware of the possibility of such loss or damage arising) is excluded. This will not operate to limit or restrict the Group's liability for death or personal injury resulting from its negligence. Multicomp Pro is the registered trademark of Premier Farnell Limited 2019.