

Model No.: **GP13AU**

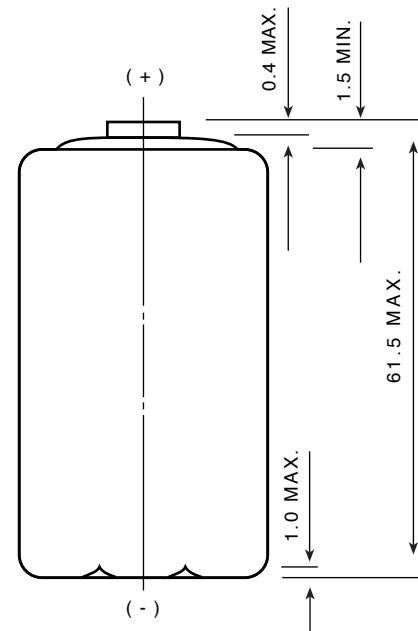
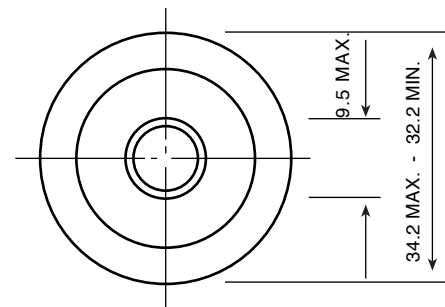
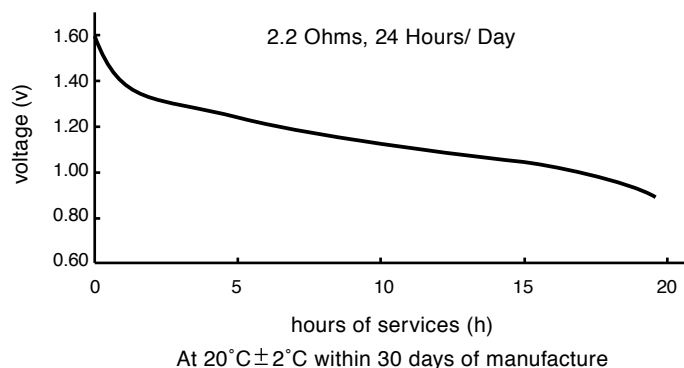
NO MERCURY ADDED	
Description	: Mercury & Cadmium Free Alkaline Manganese Battery, D Size
Chemical System	: Alkaline Manganese
Nominal Voltage	: 1.5 Volts
Nominal Dimensions	: $\varnothing 34.2$ mm x 61.5 mm
Terminals	: Protruded positive (+) and flat negative (-) contacts
Jacket	: Foil jacket
Applications	: All electronic devices, e.g. transistor radios, cassette recorders, toys, alarm clocks, portable fans, portable hand-tools.
Shelf Life	: 10 years at 20°C in a well ventilated area
Average Weight	: 130g

Cross References:

GP	JIS	IEC	Eveready	Duracell	Varta
13AU	LR20	LR20	E95	MN1300	4020

Typical Service Life:

Discharge Resistance	Discharge Condition	End Point Voltage	Service Life
2.2 Ohms	24 Hrs/ Day	0.9V	19.5 Hrs



Unit : mm

The information (subject to change without prior notice) contained in this document is for reference only and should not be used as a basis for product guarantee or warranty. For applications other than those described here, please consult your nearest GP Sales and Marketing Office or Distributors.