

Electronic LED Power Supply

OPTOTRONIC®

Power Supply Guide

OT6/100-240/10COS
 OT25/120/10
 OT50/120/10
 LED power supplies compatible with:
 10V LED Modules

OT6/100-240/24COS
 OT20/120-240/24S
 LED power supplies compatible with:
 24V LED Modules

OSRAM OPTOTRONIC power supplies are compact and electronically stabilized. The wide range of input voltage from 100 to 240 VAC enables worldwide use on single-phase AC power lines. These supplies are available in 10Vdc and 24Vdc outputs.

The OPTOTRONIC power supplies are protected against open circuit, short circuit, overload and overheating. They are UL recognized and FCC compliant.



Key System Features

- New, small enclosure size (OT6, OT20, OT25 fit into small junction box)
- Lightweight, low profile
- -20°C through 50°C operation
- Wide input voltage range
- Isolated output
- UL Class 2 output
- Weather resistant housing
- Long life
- Short circuit and overload protection
- Low power supply losses
- Remote mounting possible
- OT50 model rated for outdoor, damp locations

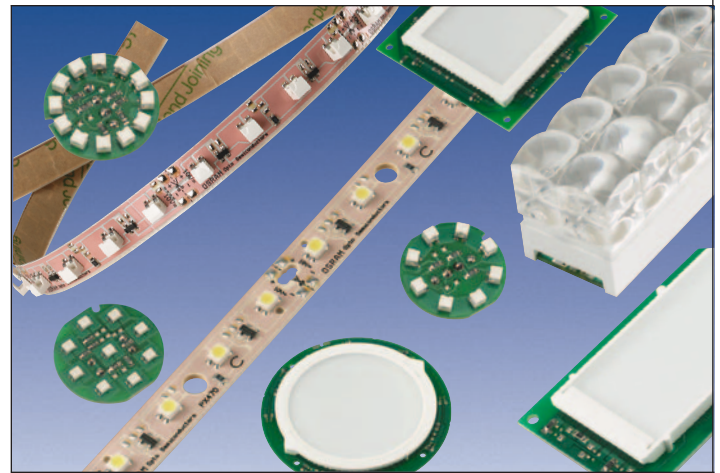
System Information

OSRAM SYLVANIA has introduced a full line of LED modules (Light Emitting Diodes) and power supply products. As a result of the steady increase in their luminous efficiency, LEDs are becoming an attractive alternative in general lighting.

LED modules can be used in a wide variety of applications due to our variable module design, module geometries, and range of available colors.

Exciting New Applications

- Wall and floor mounted luminaires
- Designer luminaires
- Illuminated advertising, i.e. the illumination of displays or advertising messages and signage
- Facade lighting
- Decorative, linear, and cove lighting as implemented at the Thomas Jefferson Memorial



Application Information

OSRAM OPTOTRONIC

power supplies are ideally suited for:

- Low & medium power applications
- Signs
- Compact installations
- Path and roadway marking
- Backlighting
- Step and seat marking
- Effect Lighting
- Panel lighting
- Ambience lighting inside furniture
- Wall washing
- General Lighting

LEDs are available in many different configurations. Below are some examples with their corresponding literature ordering codes:

Name	Description	Literature Ordering Code
LINEAR light	10V LED Modules	LED001
MARKER light	10V LED Rectangular Modules	LED002
MARKER light	24V LED Square and Circular Modules	LED003
EFFECT light	24V LED Modules	LED004
BACK light	10V LED Modules	LED005
COIN light SIDELED	24V LED Modules	LED009
COIN light TOPLED	24V LED Modules	LED010
LINEAR light FLEX TOPLED	24V Flexible LED Strip	LED011
LINEAR light FLEX SIDELED	10V Flexible LED Strip	LED012

For additional LED ordering information, contact OSRAM SYLVANIA.

OPTOTRONIC® LED Power Supplies (DC Output)

Performance Guide

Power supply shall be LED OPTOTRONIC electronic power supply with [100 - 240], [120 - 240], [120] VAC input, [6], [20], [25], [50] watts output at [10.5], [24] VDC. Class 2 Outputs.

Specifications

UL Class 2 Outputs

Input Voltage Range:
 OT6: 94 – 254 VAC
 OT20: 108 – 254 VAC
 OT25, OT50: 108-132 VAC

Input Frequency: 50/60Hz
Ambient Temp. Range:
 -20°C through +50°C

Max. Case Temp.:
 OT6: 70°C
 OT20: 75°C
 OT25, OT50: 90°C

UL: OT6: UL 1950 Recognized for US and Canada, Class 2 Output
 OT20: UL 1310 Recognized for US and Canada, Class 2 Unit
 OT25, OT50: UL 1310, UL48 Recognized for US & Canada Class 2 Unit

CSA: OT6, OT25 & OT50 are CSA approved

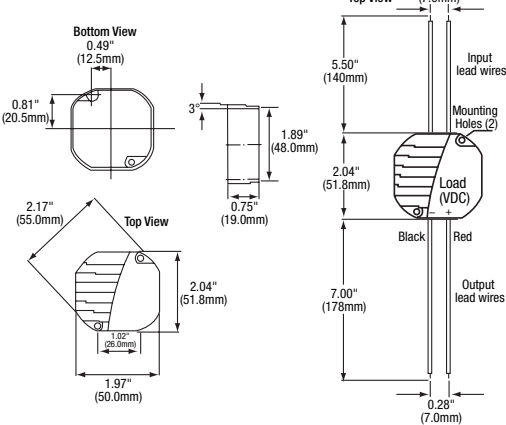
FCC 47CFR Part 15
OT6, OT20: Class B (residential)
OT25, OT50: Class A (commercial non-consumer)

Item Number	Description	Nominal Input Voltage (VAC)	Nominal Input Current (Amps)	Output Voltage (VDC)	Min. Power (W)	Max. Power (W)	Max. Line Ripple (V)	Remote Mounting (ft)
51500	OT6/100-240/10COS	100-240	0.150@120V 0.050@240V	10.5±0.5	0.2	6	±0.4V	26
51505	OT25/120/10	120	0.26@120V	10.5±1.0	3	25	±1.1V	10
51508	OT50/120/10	120	0.52@120V	10.5±1.0	10	50	±1.1V	8
51501	OT6/100-240/24COS	100-240	0.150@120V 0.050@240V	24.0±0.5	0.2	6	±0.4V	26
51512	OT20/120-240/24S	120-240	0.35@120V 0.23@240V	24.0±0.5	0.9	20	±0.2V	32

OT-6 Case:

Packaging:

Quantity: 20 pieces/carton
 Weight: 0.16 lbs each (approx.)
 3.72 lbs/carton

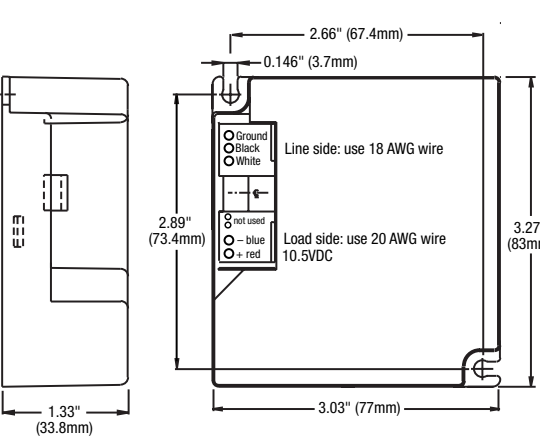


***Wiring:** Leads only (no connectors)
 Input: (18AWG wire)
 Output: (20AWG wire)

OT-25 Case:

Packaging:

Quantity: 72 pieces/carton
 Weight: 0.385 lbs each (approx.), 30.43 lbs/carton



***Wiring:** Connectors only (No leads provided) Use solid or tinned copper wire only

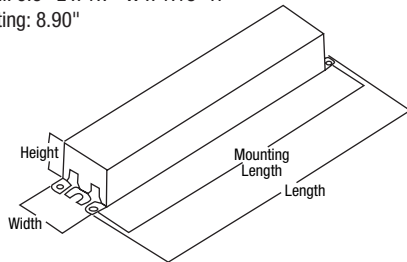
OT-50 Case:

Packaging:

Quantity: 20 pieces/carton
 Weight: 1.22 lbs each (approx.)
 24.70 lbs/carton

Dimensions "OT50" Enclosure:

Overall: 9.5" L x 1.7" W x 1.18" H
 Mounting: 8.90"



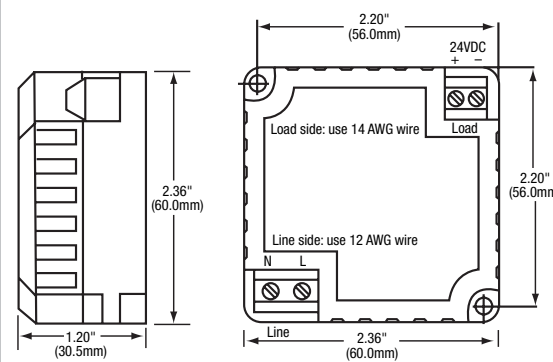
***Wiring:** Leads only (no connectors)

Input: 9" (18AWG wire) black & white wires
 Output: 9" (18AWG wire) red+ & blue- wires

OT-20 Case:

Packaging:

Quantity: 30 pieces/carton
 Weight: 0.21 lbs each (approx.)
 6.30 lbs/carton



***Wiring:** Connectors only (No leads provided) Use solid or stranded copper wire only

System Life / Warranty

OPTOTRONIC LED Power Supply Products are covered by our LED system warranty, a comprehensive LED module and power supply system warranty. For additional details, refer to our latest version of the LED warranty bulletin.

Ordering Guide

Specifications subject to change without notice.

Item Number: 51500 OT 6/ 100-240/ 10 COS
 OPTOTRONIC
 Output Wattage (6 watts)

Circular Opto Semi-conductor; S: square
 Output Voltage (DC)
 Input Voltage (AC)